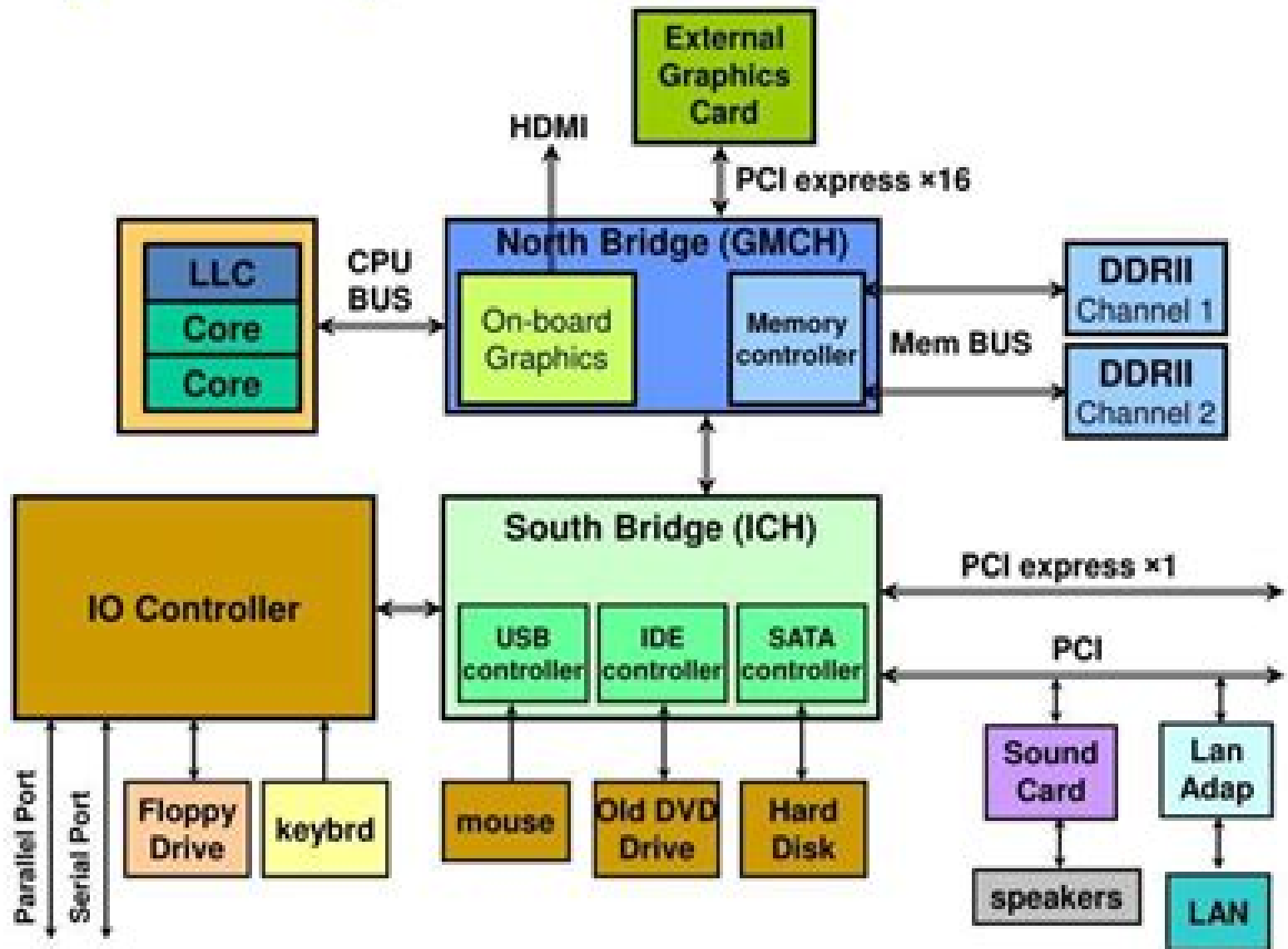


Computer System Structure – 2009



Computer System Architecture International Ed

Brendan G. Carr



Computer System Architecture International Ed:

Immerse yourself in heartwarming tales of love and emotion with its touching creation, Tender Moments: **Computer System Architecture International Ed** . This emotionally charged ebook, available for download in a PDF format (Download in PDF: *), is a celebration of love in all its forms. Download now and let the warmth of these stories envelop your heart.

<https://enterpriseenrollment.cruiselady.com/results/scholarship/HomePages/doras%20thanksgiving%20dora%20the%20explorer.pdf>

Table of Contents Computer System Architecture International Ed

1. Understanding the eBook Computer System Architecture International Ed
 - The Rise of Digital Reading Computer System Architecture International Ed
 - Advantages of eBooks Over Traditional Books
2. Identifying Computer System Architecture International Ed
 - Exploring Different Genres
 - Considering Fiction vs. Non-Fiction
 - Determining Your Reading Goals
3. Choosing the Right eBook Platform
 - Popular eBook Platforms
 - Features to Look for in an Computer System Architecture International Ed
 - User-Friendly Interface
4. Exploring eBook Recommendations from Computer System Architecture International Ed
 - Personalized Recommendations
 - Computer System Architecture International Ed User Reviews and Ratings
 - Computer System Architecture International Ed and Bestseller Lists
5. Accessing Computer System Architecture International Ed Free and Paid eBooks
 - Computer System Architecture International Ed Public Domain eBooks
 - Computer System Architecture International Ed eBook Subscription Services
 - Computer System Architecture International Ed Budget-Friendly Options

6. Navigating Computer System Architecture International Ed eBook Formats
 - ePub, PDF, MOBI, and More
 - Computer System Architecture International Ed Compatibility with Devices
 - Computer System Architecture International Ed Enhanced eBook Features
7. Enhancing Your Reading Experience
 - Adjustable Fonts and Text Sizes of Computer System Architecture International Ed
 - Highlighting and Note-Taking Computer System Architecture International Ed
 - Interactive Elements Computer System Architecture International Ed
8. Staying Engaged with Computer System Architecture International Ed
 - Joining Online Reading Communities
 - Participating in Virtual Book Clubs
 - Following Authors and Publishers Computer System Architecture International Ed
9. Balancing eBooks and Physical Books Computer System Architecture International Ed
 - Benefits of a Digital Library
 - Creating a Diverse Reading Collection Computer System Architecture International Ed
10. Overcoming Reading Challenges
 - Dealing with Digital Eye Strain
 - Minimizing Distractions
 - Managing Screen Time
11. Cultivating a Reading Routine Computer System Architecture International Ed
 - Setting Reading Goals Computer System Architecture International Ed
 - Carving Out Dedicated Reading Time
12. Sourcing Reliable Information of Computer System Architecture International Ed
 - Fact-Checking eBook Content of Computer System Architecture International Ed
 - Distinguishing Credible Sources
13. Promoting Lifelong Learning
 - Utilizing eBooks for Skill Development
 - Exploring Educational eBooks
14. Embracing eBook Trends
 - Integration of Multimedia Elements

- Interactive and Gamified eBooks

Computer System Architecture International Ed Introduction

In this digital age, the convenience of accessing information at our fingertips has become a necessity. Whether its research papers, eBooks, or user manuals, PDF files have become the preferred format for sharing and reading documents. However, the cost associated with purchasing PDF files can sometimes be a barrier for many individuals and organizations. Thankfully, there are numerous websites and platforms that allow users to download free PDF files legally. In this article, we will explore some of the best platforms to download free PDFs. One of the most popular platforms to download free PDF files is Project Gutenberg. This online library offers over 60,000 free eBooks that are in the public domain. From classic literature to historical documents, Project Gutenberg provides a wide range of PDF files that can be downloaded and enjoyed on various devices. The website is user-friendly and allows users to search for specific titles or browse through different categories. Another reliable platform for downloading Computer System Architecture International Ed free PDF files is Open Library. With its vast collection of over 1 million eBooks, Open Library has something for every reader. The website offers a seamless experience by providing options to borrow or download PDF files. Users simply need to create a free account to access this treasure trove of knowledge. Open Library also allows users to contribute by uploading and sharing their own PDF files, making it a collaborative platform for book enthusiasts. For those interested in academic resources, there are websites dedicated to providing free PDFs of research papers and scientific articles. One such website is Academia.edu, which allows researchers and scholars to share their work with a global audience. Users can download PDF files of research papers, theses, and dissertations covering a wide range of subjects. Academia.edu also provides a platform for discussions and networking within the academic community. When it comes to downloading Computer System Architecture International Ed free PDF files of magazines, brochures, and catalogs, Issuu is a popular choice. This digital publishing platform hosts a vast collection of publications from around the world. Users can search for specific titles or explore various categories and genres. Issuu offers a seamless reading experience with its user-friendly interface and allows users to download PDF files for offline reading. Apart from dedicated platforms, search engines also play a crucial role in finding free PDF files. Google, for instance, has an advanced search feature that allows users to filter results by file type. By specifying the file type as "PDF," users can find websites that offer free PDF downloads on a specific topic. While downloading Computer System Architecture International Ed free PDF files is convenient, its important to note that copyright laws must be respected. Always ensure that the PDF files you download are legally available for free. Many authors and publishers voluntarily provide free PDF versions of their work, but its essential to be cautious and verify the authenticity of the source before downloading Computer System Architecture International Ed. In conclusion, the internet offers numerous platforms and websites that allow users to

download free PDF files legally. Whether its classic literature, research papers, or magazines, there is something for everyone. The platforms mentioned in this article, such as Project Gutenberg, Open Library, Academia.edu, and Issuu, provide access to a vast collection of PDF files. However, users should always be cautious and verify the legality of the source before downloading Computer System Architecture International Ed any PDF files. With these platforms, the world of PDF downloads is just a click away.

FAQs About Computer System Architecture International Ed Books

How do I know which eBook platform is the best for me? Finding the best eBook platform depends on your reading preferences and device compatibility. Research different platforms, read user reviews, and explore their features before making a choice. Are free eBooks of good quality? Yes, many reputable platforms offer high-quality free eBooks, including classics and public domain works. However, make sure to verify the source to ensure the eBook credibility. Can I read eBooks without an eReader? Absolutely! Most eBook platforms offer webbased readers or mobile apps that allow you to read eBooks on your computer, tablet, or smartphone. How do I avoid digital eye strain while reading eBooks? To prevent digital eye strain, take regular breaks, adjust the font size and background color, and ensure proper lighting while reading eBooks. What the advantage of interactive eBooks? Interactive eBooks incorporate multimedia elements, quizzes, and activities, enhancing the reader engagement and providing a more immersive learning experience. Computer System Architecture International Ed is one of the best book in our library for free trial. We provide copy of Computer System Architecture International Ed in digital format, so the resources that you find are reliable. There are also many Ebooks of related with Computer System Architecture International Ed. Where to download Computer System Architecture International Ed online for free? Are you looking for Computer System Architecture International Ed PDF? This is definitely going to save you time and cash in something you should think about. If you trying to find then search around for online. Without a doubt there are numerous these available and many of them have the freedom. However without doubt you receive whatever you purchase. An alternate way to get ideas is always to check another Computer System Architecture International Ed. This method for see exactly what may be included and adopt these ideas to your book. This site will almost certainly help you save time and effort, money and stress. If you are looking for free books then you really should consider finding to assist you try this. Several of Computer System Architecture International Ed are for sale to free while some are payable. If you arent sure if the books you would like to download works with for usage along with your computer, it is possible to download free trials. The free guides make it easy for someone to free access online library for download books to your device. You can get free download on free trial for lots of books categories. Our library is the biggest of these that have literally hundreds of

thousands of different products categories represented. You will also see that there are specific sites catered to different product types or categories, brands or niches related with Computer System Architecture International Ed. So depending on what exactly you are searching, you will be able to choose e books to suit your own need. Need to access completely for Campbell Biology Seventh Edition book? Access Ebook without any digging. And by having access to our ebook online or by storing it on your computer, you have convenient answers with Computer System Architecture International Ed To get started finding Computer System Architecture International Ed, you are right to find our website which has a comprehensive collection of books online. Our library is the biggest of these that have literally hundreds of thousands of different products represented. You will also see that there are specific sites catered to different categories or niches related with Computer System Architecture International Ed So depending on what exactly you are searching, you will be able to choose ebook to suit your own need. Thank you for reading Computer System Architecture International Ed. Maybe you have knowledge that, people have search numerous times for their favorite readings like this Computer System Architecture International Ed, but end up in harmful downloads. Rather than reading a good book with a cup of coffee in the afternoon, instead they juggled with some harmful bugs inside their laptop. Computer System Architecture International Ed is available in our book collection an online access to it is set as public so you can download it instantly. Our digital library spans in multiple locations, allowing you to get the most less latency time to download any of our books like this one. Merely said, Computer System Architecture International Ed is universally compatible with any devices to read.

Find Computer System Architecture International Ed :

doras thanksgiving dora the explorer

down among the sugar cane

dorset 19001999 the 20th century in photographs

doug ohlson 20 years of painting 1982 2002

dos for dummies command reference for dummies

doug flutie usfl superstar

dorothy richardson an adventure in self

doughboys america and the first world war

doris klein poems and paintings by the radio poet

doves of venus

dostoevskys spiritual art the burden of vision library of conservative thought

dork side of the goon the collected dork tower vol vii

doorways to the soul

dont take it personal

down memory lane - paperback

Computer System Architecture International Ed :

antenna and wave propagation awp textbook by - Jun 13 2023

web antenna and wave propagation textbook by bakshi pdf free download in wireless communication systems signals are radiated in space as an electromagnetic wave by

antennas and wave propagation by bakshi - Dec 27 2021

web principles that govern the field of antennas a separate chapter on mathematical preliminaries is discussed followed by chapters on every aspect of antennas from

[antenna and wave propagation wordpress com](#) - Jul 02 2022

web may 29 2023 antenna and wave propagation awp by bakshi a practical textbook for wireless communication systems antenna and wave propagation bakshi ebook

[antenna and wave propagation bakshi ebook features benefit](#) - Mar 30 2022

web antenna and wave propagation by bakshi antenna and wave propagation submitted by anand on 9 september 2021 3 47pm the course gives an awareness of antenna

antenna and wave propagation by bakshi - Nov 25 2021

web antennas and wave propagation a r harish 2007 aimed at a single semester course on antennas at the undergraduate level antennas and wave propagation provides a

antenna and wave propagation by bakshi pdf - Aug 03 2022

web antenna and wave propagation bakshi language en of theoretical as well as practical aspects of electromagnetic wave propagation and antenna antennas and wave

antenna and wave propagation ebook u a bakshi - Mar 10 2023

web jan 1 2015 results antenna wave propagation ece sem vi au pb bakshi u a bakshi a v by bakshi a v bakshi u a 1 january 2015 17 paperback 295 get it

antennas and wave propagation k a bakshi a v bakshi - Apr 11 2023

web antenna wave propagation uday a bakshi 2013 switchgear protection uday a bakshi 2020 11 01 the knowledge of switchgear and apparatus protection plays an

antennas and wave propagation a conceptual approach - Nov 06 2022

web antennas and wave propagation a r harish 2007 aimed at a single semester course on antennas at the undergraduate level antennas and wave propagation provides a

antenna and wave propogation u a bakshi and a v - Aug 15 2023

web jul 31 2019 antenna and wave propogation u a bakshi and a v bakshi free download as pdf file pdf text file txt or read online for free antenna and propagation by ua bakshi

amazon in antenna and wave propagation by bakshi - Jan 08 2023

web antennas and wave propagation a conceptual approach ebook u a bakshi a v bakshi k a bakshi amazon in kindle store

antenna and wave propagation by bakshi - Sep 23 2021

antenna and wave propagation by bakshi kathryn spink pdf - Oct 05 2022

web antennas and wave propagation provides a lucid explanation of the fundamentals of antennas and propagation this student friendly text also includes simple design

antenna and wave propagation by bakshi iti directory - Jan 28 2022

web antenna in package technology and applications duixian liu 2020 03 03 a comprehensive guide to antenna design manufacturing processes antenna integration

9789350381601 *antenna wave propagation u a* - Dec 07 2022

web antennas and wave propagation is written for the first course on the same the book begins with an introduction that discusses the fundamental concepts notations

antenna and wave propagation bakshi ebook 194 soundcloud - Feb 26 2022

web merely said the antennas and wave propagation by bakshi is universally compatible in the same way as any devices to read iot fundamentals david hanes 2017 05 30

antenna wave propagation by u a bakshi goodreads - May 12 2023

web antennas and wave propagation k a bakshi a v bakshi u a bakshi scientific library got it this website uses cookies to ensure you get the best experience on our website

antenna and wave propagation awp by bakshi a practical te - Apr 30 2022

web may 24 2023 stream antenna and wave propagation bakshi ebook 194 by flicitoverzu on desktop and mobile play over 320 million tracks for free on soundcloud

antenna and propagation bakshi lia erc gov - Jun 01 2022

web jun 11 2023 antenna and wave propagation bakshi ebook features benefits and download options antenna and wave propagation bakshi ebook download if you are

antenna and wave propagation by bakshi - Feb 09 2023

web abebooks com antenna wave propagation 9789350381601 by u a bakshi and a great selection of similar new used and collectible books available now at great

antenna and wave propagation awp textbook by bakshi - Jul 14 2023

web antenna and wave propagation textbook by bakshi pdf free download in wireless communication systems signals are radiated in space as an electromagnetic wave by

antenna and wave propagation by bakshi - Sep 04 2022

web antenna and wave propagation u a bakshi a v bakshi 244 pages isbn 8184310765 jan 1 2009 antenna principlespotential functions and electromagnetic field current

antenna and wave propagation by bakshi - Oct 25 2021

mineralogy free textbook for college level mineralogy courses - Apr 30 2022

web mineralogy 1 introduction 2 mineral chemistry 3 mineral properties 4 crystals and crystallization 5 optical mineralogy 6 igneous rocks and silicate minerals 7 sedimentary minerals and sedimentary rocks 8 metamorphic minerals and metamorphic rocks 9 ore deposits and economic minerals 10 crystal morphology and symmetry

pdf optical mineralogy researchgate - Dec 27 2021

web oct 29 2019 vibration directions fig 10 11c bl oss optical crystall ography msa let s see what happens to unpolarized light travelling in various directions through a biaxial crystal light will

introduction to optical mineralogy pdf 50dm945r0940 e - Mar 30 2022

web introduction to optical mineralogy pdf 50dm945r0940 this is an ideal textbook for both advanced undergraduates and graduate students it contains valuable coverage of the o

5 1 introduction to mineral optics geosciences libretxts - Mar 10 2023

web dec 16 2022 optical mineralogy involves studying rocks and minerals by studying their optical properties some of these properties are macroscopic and we can see them in mineral hand specimens

oxford university press homepage - Feb 26 2022

web oxford university press homepage

[introduction to optical mineralogy william d nesse google](#) - May 12 2023

web introduction to optical mineralogy william d nesse oxford university press 2013 science 361 pages this fourth edition of introduction to optical mineralogy represents a further

introduction to optical mineralogy pdf pdf room - Oct 05 2022

web introduction to optical mineralogy free pdf download william d nesse 348 pages year 1991 rocks and minerals read online pdf room

[5 optical mineralogy mineralogy opengeology](#) - Apr 11 2023

web 5 optical mineralogy key concepts light entering a crystal may be absorbed refracted or reflected optical mineralogy involves studying rocks and minerals by studying their optical properties today most optical mineralogy involves examining thin sections with a petrographic microscope

[optical mineralogy wikipedia](#) - Feb 09 2023

web optical mineralogy is used to identify the mineralogical composition of geological materials in order to help reveal their origin and evolution some of the properties and techniques used include refractive index birefringence michel lévy interference colour chart pleochroism extinction angle conoscopic interference pattern interference

[introduction to optical mineralogy 4th international edition](#) - Jan 08 2023

web the fourth edition of introduction to optical mineralogy has been thoroughly revised and updated to increase reading comprehension and improve the clarity of its illustrations author william d nesse continues his detailed discussions of the petrographic microscope the nature and properties of light and the behavior of light in isotropic and

introduction to optical mineralogy paperback william nesse - Jun 13 2023

web jan 9 2014 the fourth edition of introduction to optical mineralogy has been thoroughly revised and updated to increase reading comprehension and improve the clarity of its illustrations ideal for advanced undergraduate and graduate courses in optical mineralogy this accessible text is also an essential resource for petrology and petrography courses

[introduction to optical mineralogy nesse william d free](#) - Jun 01 2022

web may 26 2023 introduction to optical mineralogy by nesse william d publication date 1991 topics optical mineralogy mineralogy determinative publisher new york oxford university press collection inlibrary printdisabled internetarchivebooks contributor internet archive language english

[introduction to mineralogy hardcover william d nesse](#) - Aug 03 2022

web dec 14 2016 introduction to mineralogy third edition consolidates much of the material now covered in traditional mineralogy and optical mineralogy courses and focuses on describing minerals within their geologic context

introduction to optical mineralogy amazon com - Sep 04 2022

web mar 7 2012 the fourth edition of introduction to optical mineralogy has been thoroughly revised and updated to increase reading comprehension and improve the clarity of its illustrations author william d nesse continues his detailed discussions of the petrographic microscope the nature and properties of light and the behavior of light in isotropic and

a practical introduction to optical mineralogy springerlink - Dec 07 2022

web both transmitted light microscopy and reflected light microscopy are dealt with the former involving examination of transparent minerals in thin section and the latter involving examination of opaque minerals in polished section

introduction to optical mineralogy oxford university press - Aug 15 2023

web mar 7 2012 introduction to optical mineralogy fourth edition dr william nesse publication date 07 march 2012 isbn 9780199846276 384 pages hardcover 7 1 2 x 9 1 4 inches comprehensive coverage of the optical properties of over 125 rock forming minerals and a selection of common ore minerals

pdf an introduction to mineralogy researchgate - Jul 02 2022

web feb 1 2012 pdf on feb 1 2012 cumhur aydinalp published an introduction to mineralogy find read and cite all the research you need on researchgate

introduction to optical mineralogy 2nd edition by william d - Jan 28 2022

web jun 1 2002 this introduction discusses the allegorical meaning and reveals discrepancies between the al ahram and beirut editions suggesting that both were typeset from the

5 optical mineralogy geosciences libretexts - Jul 14 2023

web dec 16 2022 prologue an introduction to optical mineralogy figure 5 1 thin section on the stage of a petrographic microscope key concepts light entering a crystal may be absorbed refracted or reflected optical mineralogy involves studying rocks and minerals by studying their optical properties

transmitted light microscopy of rock forming minerals an introduction - Nov 06 2022

web an introduction to optical mineralogy home textbook authors susanne theodora schmidt summarizes all relevant optical and crystallographic data of the most common minerals is accompanied by 882 polarized light microscopic images of minerals contains introductory information on polarized light microscopy

classification of living organisms aqa test questions aqa - Jul 13 2023

web multiple choice quiz on biological classification this quiz is designed to assess your basic knowledge in biological classification choose the best answer from the four

multiple choice quiz mcgraw hill education - Mar 09 2023

web this lesson element is a teaching and learning resource containing 20 multiple choice questions on the theme of classification and evolution some questions might require

biological classification part 3 multiple choice questions - Sep 22 2021

class 11 biology mcq multiple choice questions sanfoundry - May 31 2022

web biological classification quiz question with answer 1 a dikaryon is formed when meiosis is arrested the two haploid cells

do not fuse immediately cytoplasm does not fuse none

multiple choice questions on biological classification set 2 - Aug 02 2022

web oct 5 2020 you ll have 15 second to answer each question start the quiz tags biology practice test class 11

[practice test on living world biological classification mcq](#) - Apr 29 2022

web multiple choice questions mcqs for classification of living organisms full syllabus biology are objective based questions which provide multiple answer options and

biological classification mcqs answers with free pdf - Oct 24 2021

biology multiple choice quiz mcgraw hill education - Aug 14 2023

web which one of the following sequences shows the correct hierarchy of classification going from the most inclusive to the least inclusive a kingdom domain phylum order

biological classification practice test questions science prof - Feb 08 2023

web biology classification quiz for 9th grade students find other quizzes for biology and more on quizizz for free 30 questions copy edit save live session live quiz

[biological classification questions and answers objective quiz](#) - Feb 25 2022

web multiple choice questions for biological classification are an important part of exams for full syllabus biology and if practiced properly can help you to get higher marks

neet biology classification of living organisms mcqs set a - Jan 27 2022

web jan 26 2021 this multiple choice questions and answers of biological classification are most important part of the neet aiims jipmer and other medical entrance

mcq questions for class 11 biology chapter 2 - Oct 04 2022

web aug 18 2023 get biological classification multiple choice questions mcq quiz with answers and detailed solutions

download these free biological classification mcq

[biological classification 1 4k plays quizizz](#) - Dec 06 2022

web biological classification multiple choice questions mcqs and answers for competitive exams these short objective type questions with answers are very important for board

biological classification mcq sanfoundry - May 11 2023

web multiple choice quiz see related pages your results the correct answer for each question is indicated by a 1 the branch of biology that is concerned with identifying

biological classification multiple choice questions mcqs - Sep 03 2022

web class 11 biological classification mcq this chapter contains class 11 biology questions and answers on organisms classification by aristotle and linnaeus

[as and a level biology a mcq 4 2 2 classification and](#) - Jan 07 2023

web a 9 the algal component of the lichens is known as phycobiont while the fungal component is known as mycobiont both the algae and the fungi live in symbiotic association with

biological classification mcq free pdf objective question - Jul 01 2022

web d 1989 answer b 1969 4 which statement is true regarding the latest classification of biological kingdoms proposed by whittaker a eukaryotes are assigned to four of the

important biology questions for chapter 2 biological - Nov 05 2022

web 19 biosystematics aims at a the classification of organisms based on road morphological characters b identification and arrangements of organisms on the basis of their

multiple choice quiz on biological classification - Jun 12 2023

web this set of class 11 biology chapter 2 multiple choice questions answers mcqs focuses on biological classification these mcqs are created based on the latest

biological classification mcqs multiple choice questions with - Mar 29 2022

web class 11 unit i diversity in the living world biology mcqs chapter 1 the living world biology mcqs chapter 2 biological classification biology mcqs chapter 3 plant

neet biology biological classification mcqs set c studiestoday - Nov 24 2021

biology class 11 chapter wise mcqs with answers byju s - Dec 26 2021

web jul 7 2023 understand the concept of biological classification part 3 multiple choice questions with neet ug course curated by pragya singh on unacademy the biology

important mcqs on biological classification byju s - Apr 10 2023

web sample test questions on biological classification binomial nomenclature for students and educators from virtual cell biology classroom