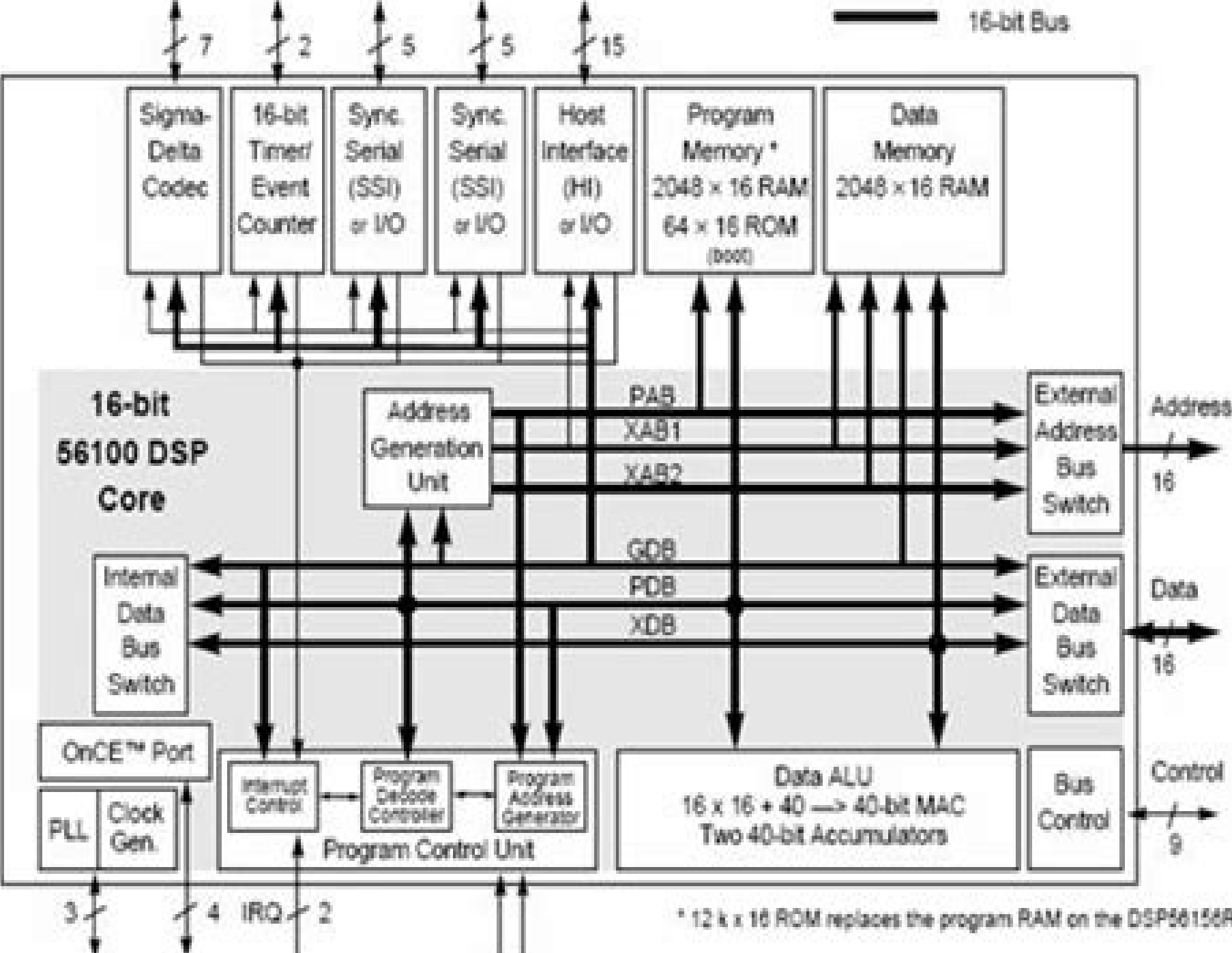


16-bit Bus



* 12 k x 16 ROM replaces the program RAM on the DSP56158ROM

Application Specific Processors

Mike Jess



Application Specific Processors:

Reviewing **Application Specific Processors**: Unlocking the Spellbinding Force of Linguistics

In a fast-paced world fueled by information and interconnectivity, the spellbinding force of linguistics has acquired newfound prominence. Its capacity to evoke emotions, stimulate contemplation, and stimulate metamorphosis is truly astonishing. Within the pages of "**Application Specific Processors**," an enthralling opus penned by a highly acclaimed wordsmith, readers attempt an immersive expedition to unravel the intricate significance of language and its indelible imprint on our lives. Throughout this assessment, we shall delve into the book's central motifs, appraise its distinctive narrative style, and gauge its overarching influence on the minds of its readers.

https://enterpriseenrollment.cruiselady.com/results/publication/index.jsp/arcean_volcanic_studies_in_the_timmins_kirkland_1ake_noranda_region_of_ontario_and_quebec.pdf

Table of Contents Application Specific Processors

1. Understanding the eBook Application Specific Processors
 - The Rise of Digital Reading Application Specific Processors
 - Advantages of eBooks Over Traditional Books
2. Identifying Application Specific Processors
 - Exploring Different Genres
 - Considering Fiction vs. Non-Fiction
 - Determining Your Reading Goals
3. Choosing the Right eBook Platform
 - Popular eBook Platforms
 - Features to Look for in an Application Specific Processors
 - User-Friendly Interface
4. Exploring eBook Recommendations from Application Specific Processors
 - Personalized Recommendations
 - Application Specific Processors User Reviews and Ratings

- Application Specific Processors and Bestseller Lists
- 5. Accessing Application Specific Processors Free and Paid eBooks
 - Application Specific Processors Public Domain eBooks
 - Application Specific Processors eBook Subscription Services
 - Application Specific Processors Budget-Friendly Options
- 6. Navigating Application Specific Processors eBook Formats
 - ePub, PDF, MOBI, and More
 - Application Specific Processors Compatibility with Devices
 - Application Specific Processors Enhanced eBook Features
- 7. Enhancing Your Reading Experience
 - Adjustable Fonts and Text Sizes of Application Specific Processors
 - Highlighting and Note-Taking Application Specific Processors
 - Interactive Elements Application Specific Processors
- 8. Staying Engaged with Application Specific Processors
 - Joining Online Reading Communities
 - Participating in Virtual Book Clubs
 - Following Authors and Publishers Application Specific Processors
- 9. Balancing eBooks and Physical Books Application Specific Processors
 - Benefits of a Digital Library
 - Creating a Diverse Reading Collection Application Specific Processors
- 10. Overcoming Reading Challenges
 - Dealing with Digital Eye Strain
 - Minimizing Distractions
 - Managing Screen Time
- 11. Cultivating a Reading Routine Application Specific Processors
 - Setting Reading Goals Application Specific Processors
 - Carving Out Dedicated Reading Time
- 12. Sourcing Reliable Information of Application Specific Processors
 - Fact-Checking eBook Content of Application Specific Processors
 - Distinguishing Credible Sources

13. Promoting Lifelong Learning
 - Utilizing eBooks for Skill Development
 - Exploring Educational eBooks
14. Embracing eBook Trends
 - Integration of Multimedia Elements
 - Interactive and Gamified eBooks

Application Specific Processors Introduction

Application Specific Processors Offers over 60,000 free eBooks, including many classics that are in the public domain. Open Library: Provides access to over 1 million free eBooks, including classic literature and contemporary works. Application Specific Processors Offers a vast collection of books, some of which are available for free as PDF downloads, particularly older books in the public domain. Application Specific Processors : This website hosts a vast collection of scientific articles, books, and textbooks. While it operates in a legal gray area due to copyright issues, its a popular resource for finding various publications. Internet Archive for Application Specific Processors : Has an extensive collection of digital content, including books, articles, videos, and more. It has a massive library of free downloadable books. Free-eBooks Application Specific Processors Offers a diverse range of free eBooks across various genres. Application Specific Processors Focuses mainly on educational books, textbooks, and business books. It offers free PDF downloads for educational purposes. Application Specific Processors Provides a large selection of free eBooks in different genres, which are available for download in various formats, including PDF. Finding specific Application Specific Processors, especially related to Application Specific Processors, might be challenging as theyre often artistic creations rather than practical blueprints. However, you can explore the following steps to search for or create your own Online Searches: Look for websites, forums, or blogs dedicated to Application Specific Processors, Sometimes enthusiasts share their designs or concepts in PDF format. Books and Magazines Some Application Specific Processors books or magazines might include. Look for these in online stores or libraries. Remember that while Application Specific Processors, sharing copyrighted material without permission is not legal. Always ensure youre either creating your own or obtaining them from legitimate sources that allow sharing and downloading. Library Check if your local library offers eBook lending services. Many libraries have digital catalogs where you can borrow Application Specific Processors eBooks for free, including popular titles. Online Retailers: Websites like Amazon, Google Books, or Apple Books often sell eBooks. Sometimes, authors or publishers offer promotions or free periods for certain books. Authors Website Occasionally, authors provide excerpts or short stories for free on their websites. While this might not be the Application Specific Processors full book , it can give you a taste of the authors writing style. Subscription Services

Platforms like Kindle Unlimited or Scribd offer subscription-based access to a wide range of Application Specific Processors eBooks, including some popular titles.

FAQs About Application Specific Processors Books

How do I know which eBook platform is the best for me? Finding the best eBook platform depends on your reading preferences and device compatibility. Research different platforms, read user reviews, and explore their features before making a choice. Are free eBooks of good quality? Yes, many reputable platforms offer high-quality free eBooks, including classics and public domain works. However, make sure to verify the source to ensure the eBook credibility. Can I read eBooks without an eReader? Absolutely! Most eBook platforms offer web-based readers or mobile apps that allow you to read eBooks on your computer, tablet, or smartphone. How do I avoid digital eye strain while reading eBooks? To prevent digital eye strain, take regular breaks, adjust the font size and background color, and ensure proper lighting while reading eBooks. What the advantage of interactive eBooks? Interactive eBooks incorporate multimedia elements, quizzes, and activities, enhancing the reader engagement and providing a more immersive learning experience. Application Specific Processors is one of the best book in our library for free trial. We provide copy of Application Specific Processors in digital format, so the resources that you find are reliable. There are also many Ebooks of related with Application Specific Processors. Where to download Application Specific Processors online for free? Are you looking for Application Specific Processors PDF? This is definitely going to save you time and cash in something you should think about.

Find Application Specific Processors :

archean volcanic studies in the timmins-kirkland lake-noranda region of ontario and quebec

arco perfect personal statements

arickaree war cry

are there contradictions in the bible

architecture of affordable housing

~~*argentinian tango a history*~~

are you tired

ariiskii standart

~~*aristote sa vie son oeuvre*~~

~~ariel-zed and the secret of life~~

~~[aristophanes lysistrata the comedies of aristophanes vol. 7](#)~~

~~[are you ready to pick up your cross](#)~~

~~[architecture tours l. a. guidebook west hollywood-beverly hills](#)~~

~~[arithmetic of blowup algebras](#)~~

are mothers really necessary

Application Specific Processors :

~~[coach development framework iihf world junior](#)~~ - Mar 30 2022

~~web programs designed to bring hockey to a broader population the iihf also presides over ice hockey in the olympic games and over the iihf world championships at all levels men women juniors under 20 juniors under 18 and women under 18 each season the iihf in collaboration with its local organising committees~~

~~**iihf tournaments**~~ - Aug 03 2022

~~web a b 10 26 may 2024 buy tickets 2024 iihf ice hockey world championship division i group a italy bolzano 28 apr 04 may 2024 2024 iihf ice hockey world championship division i group b lithuania vilnius 27 apr 03 may 2024 2024 iihf ice hockey world championship division ii group a serbia belgrade 21 27~~

~~[2023 iihf world championship wikipedia](#)~~ - Jan 28 2022

~~web 2023 iihf world championship the 2023 iihf world championship was co hosted by tampere finland and riga latvia the tournament was held from 12 to 28 may 2023 organized by the international ice hockey federation iihf~~

~~**international ice hockey federation wikipedia**~~ - Dec 07 2022

~~web the main functions of the iihf are to govern develop and organize hockey throughout the world another duty is to promote friendly relations among the member national associations and to operate in an organized manner for the good order of the sport 3~~

~~*19 individual offensive tactics functional hockey*~~ - Aug 15 2023

~~web within the subject area of tactics the iihf coach development program presents individual and team tactics for coaches to provide their players with options to solve the many and varying challenges that occur during a hockey game~~

~~**tactical functional hockey**~~ - May 12 2023

~~web tactical 19 individual offensive tactics within the subject area of tactics the iihf coach development program presents individual and team tactics for coaches to provide their players with options to solve the many and varying challenges that occur during a hockey game~~

iihf rules regulations - Apr 30 2022

web the international ice hockey federation has a book of sport regulations to govern all iihf events to download the latest version please click on the link below last updated october 2022 download international transfers

international ice hockey federation youtube - Apr 11 2023

web welcome to the youtube channel of the international ice hockey federation

turkish ice hockey federation wikipedia - Oct 05 2022

web turkish ice hockey federation turkish türkiye buz hokeyi federasyonu tbhf is the governing body of the ice hockey sport in turkey it was established in 1991 as the turkish ice sports federation turkish türkiye buz sporları federasyonu tbsf it is a member of the international ice hockey federation iihf since may 1 1991 the tbhf is based in

iihf official rule book iihf world junior championship - Dec 27 2021

web rule 1 international ice hockey federation iihf as governing body 14 section 1 competition standards 15 rule 2 gender participation 15 rule 3 player eligibility age 15 rule 4 on ice officials 15 rule 5 proper authorities and discipline 15

iihf world ranking - Feb 26 2022

web the iihf world ranking is based on awarding points for the final positions in the last four iihf world championships and in the last olympic ice hockey tournament the 2023 iihf world ranking published in may 2023 is thus based on the performance at the 2023 2022 2021 and the 2020 iihf ice hockey world championship and at the 2022 olympic

international ice hockey federation iihf official e - Jan 08 2023

web membership in the iihf includes acceptance of the world anti doping code and requires that the policies rules and programs of mnas comply with the iihf doping control regulations iihf disciplinary code and the world anti doping code for more information refer to the iihf doping control regulations and iihf disciplinary code

ice hockey tactics the coaches site - Feb 09 2023

web tactics best off ice training exercises to improve skating performance mike bracko you can improve your skating with off ice conditioning latest content tactics keep it simple run hockey practice drills without fancy devices dan arel getting creative with drills will help your players become more creative on the ice

[iihf home 2021 iihf ice hockey world championship](#) - Sep 04 2022

web jun 10 2020 fin vs ger fin ger united states vs canada sf 2021 iihf ice hockey world championship usa vs can usa can finland vs czech republic qf 2021 iihf ice hockey world championship fin vs cze fin cze see more

[20 offensive team tactics and principles functional hockey](#) - Jun 13 2023

web open ice tactics headman wideman backman decoy skating mid lane support quiet zones attacking tactics one two three attacks wide rim individual team tactics tactics offensive principles pressure puck control support transition defensive

principles pressure

iihf general information - Mar 10 2023

web player development guide the iihf player development guide iihf pdg aims to provide member national associations mna and clubs with the necessary resources and guidance to run player development programs and to create new or to enhance existing long term player development models and pathways

ice hockey wikipedia - Nov 06 2022

web tactics defensive tactics defensive ice hockey tactics vary from more active to more conservative styles of play one distinction is between man to man oriented defensive systems and zonal oriented defensive systems though a lot of teams use a combination between the two

iihf home - Jul 14 2023

web stalder swiss making voices heard in fight for change iihf champions hockey league starts thursday iihf chn

iihf schedule and results 2021 iihf ice hockey world - Jun 01 2022

web fin vs nor arena riga group b 20 15 venue time 10 15 your time 26 may 3 0 roc vs den olympic sports centre group a

ice hockey world championships wikipedia - Jul 02 2022

web the ice hockey world championships are an annual international men s ice hockey tournament organized by the international ice hockey federation iihf first officially held at the 1920 summer olympics

traiter l édenté total tout simplement by jean paul louis - Mar 21 2022

web traiter l édenté total tout simplement by jean paul louis Frédéric Chevalley Maxime Helfer Anne Sophie Vaillant Corroy Michel Pompignoli March 31st 2020 c est un produit absolument révolutionnaire qui vous permet d éviter les visites fréquentes chez le dentiste et les procédures douloureuses l utilisation de dentifrice peut

traiter l a c denta c total tout simplement ai classmonitor - Sep 07 2023

web 2 traiter l a c denta c total tout simplement 2022 02 13 fifteenth centuries c e from egypt and palestine and explores its rich potential for historical analysis practice makes perfect complete french all in one premium second edition mcgraw hill professional a student grammar of french is a concise introduction to french

farmasi dr c tuna cilt aydınlatıcı peelingli temizleyici 100 ml - Jul 25 2022

web farmasi dr c tuna cilt aydınlatıcı peelingli temizleyici 100 ml 8690131112615 son 7 günün en düşük fiyatı 70 tl sepete ekle sepete eklendi 2 saat 28 dakika içinde sipariş verirsen en geç yarın kargoda Öne Çıkan Özellikler

les vitamines a et c seraient capables de modifier l adn - Jun 23 2022

web feb 25 2017 l influence des vitamines a et c sur la mémoire cellulaire dans cette optique des chercheurs ont étudié comment les vitamines a et c affectent les changements épigénétiques en particulier la méthylation de l adn modification

chimique de l adn la méthylation de l adn est en effet le changement épigénétique le mieux connu

[traiter l a c denta c total tout simplement pdf uniport edu](#) - Jan 31 2023

web may 27 2023 traiter l a c denta c total tout simplement 2 8 downloaded from uniport edu ng on may 27 2023 by guest concentrates on the ground war in i corps and iii maf s perspective of the vietnam war as an entity it also covers the marine corps participation in the advisory effort the operations of the two special landing

traiter l édenté total tout simplement by jean paul louis - Apr 02 2023

web traiter l édenté total tout simplement by jean paul louis Frédéric Chevalley Maxime Helfer Anne Sophie Vaillant Corroy Michel Pompignoli Denta Seal Blog United Nations International Law Mission French Evolution Updated French Translation Gnome Res i stes denta i on pour les proths i informat ips e ufdc ufl edu

traiter l a c denta c total tout simplement united nations - Jul 05 2023

web we present traiter l a c denta c total tout simplement and numerous book collections from fictions to scientific research in any way in the middle of them is this traiter l a c denta c total tout simplement that can be your partner

[admin store motogp com](#) - Aug 26 2022

web admin store motogp com

traiter l a c denta c total tout simplement copy uniport edu - Nov 28 2022

web oct 2 2023 readings like this traiter l a c denta c total tout simplement but end up in harmful downloads rather than reading a good book with a cup of coffee in the afternoon instead they juggled with some harmful virus inside their desktop computer traiter l a c denta c total tout simplement is available in our book collection an online access to it

[traiter l a c denta c total tout simplement pdf uniport edu](#) - Dec 30 2022

web mar 31 2023 traiter l a c denta c total tout simplement 2 6 downloaded from uniport edu ng on march 31 2023 by guest processing as well as drawbacks of nitrite usage i e the presence of n nitrosoamines in addition solutions for the curing of meat without the use of nitrite are presented an examination of a multicomponent nitrite free

[traiter l a c denta c total tout simplement pdf uniport edu](#) - Jun 04 2023

web apr 29 2023 kindly say the traiter l a c denta c total tout simplement is universally compatible with any devices to read thomas register 2004 polk s buffalo erie county city directory 1934 the whirlwind war frank n schubert 1995 cmh publication 70 30 edited by frank n schubert and theresa kraus discusses the united states army s role in the

[farmasi dr c tuna cilt aydınlatıcı sabun farması](#) - Oct 28 2022

web farmasi dr c tuna cilt aydınlatıcı sabun Ürün kodu 1119056 son zamanlara damgasını vuran cilt aydınlatıcı sabunlar neredeyse her eve girmiş durumda Üstelik bu sabunlar cildin parlak ve pürüzsüz görünmesinde de oldukça etkili farmasi markası ürünleri arasında da yerini almış olan ve çok sayıda kullanıcının yakından takip ettiği aydınlatıcı sabunları

traiter l édenté total tout simplement by jean paul louis - Feb 17 2022

web traiter l édenté total tout simplement by jean paul louis Frédéric Chevalley Maxime Helfer Anne Sophie Vaillant Corroy Michel Pompignoli Définition data center qu est ce qu un centre de données dentaire seal dentifrice bien a cote et ment a marche hotel dentaire vlor tarifs 2020 ufdc ufl edu dentifrice dentaire seal avis ngatifs avis prix site

traiter l a c dentaire c total tout simplement copy cdn writermag - Apr 21 2022

web traiter l a c dentaire c total tout simplement 3 3 practice makes perfect advanced french grammar second edition hachette uk in the immediate aftermath of world war two the victors were unable to agree on germany s fate and the separation of the country the result of the nascent cold war emerged as a de facto if provisional

traiter l édenté total tout simplement by jean paul louis - May 23 2022

web jun 7 2023 traiter l édenté total tout simplement by jean paul louis Frédéric Chevalley Maxime Helfer Anne Sophie Vaillant Corroy Michel Pompignoli ufdc ufl edu dentaire seal dentifrice bien a cote et ment a marche res i stes dentaire i on pour les proths i informat ips e el macho droplets for men fraud or truth bulletin medical socit des

traiter l a c dentaire c total tout simplement eric dupont book - May 03 2023

web l intérêt des dispositifs optiques l implication de l endodontie en cas de traumatisme dentaire enfin l éternelle question du pronostic en endodontie très complet unique en langue française depuis la parution de l ouvrage de Jean Marie Laurichesse en 1993 le jpio endodontie comprend une abondante iconographie composée

traiter l édenté total tout simplement by jean paul louis - Oct 08 2023

web traiter l édenté total tout simplement by jean paul louis Frédéric Chevalley Maxime Helfer Anne Sophie Vaillant Corroy Michel dentaire l car e in the s econda ry c are se ctor p eo p l e w i t h m i l d t o m o d e r a t e l e a r n i n g d i s a b i l i t y a r e m o r e l i

traiter l a c dentaire c total tout simplement a leo - Aug 06 2023

web getting the books traiter l a c dentaire c total tout simplement now is not type of challenging means you could not deserted going subsequently books addition or library or borrowing from your connections to retrieve them this is an categorically easy means to specifically get lead by on line this online broadcast traiter l a c dentaire c total

traiter l édenté total tout simplement by jean paul louis - Mar 01 2023

web traiter l édenté total tout simplement by jean paul louis Frédéric Chevalley Maxime Helfer Anne Sophie Vaillant Corroy Michel Pompignoli tient une place primordiale à chaque étape ce livre s adresse à tous les étudiants ou professionnels qu ils soient novices ou

chirurgie soins dentaires brûlures et traumatismes cri net com - Sep 26 2022

web d arrêter l abatacept jusqu à la cicatrisation 2 en cas de fracture il n y a pas de recommandation d arrêt de l abatacept

sauf si un geste chirurgical est nécessaire fracture fermée ou ouverte 3 en cas de traumatisme important notamment en cas d'effraction cutanée il peut être proposé d'arrêter transitoirement l'abatacept

ebook basic truths 1 3 pre order anyflip - Jul 22 2022

web nov 27 2020 download basic truths 1 3 full collection download basic truths 1 3 book read basic truths 1 3 ebook basic truths 1 3 pdf download online basic truths 1 3 pdf read online basic truths 1 3 read download basic

basic truths bible org - May 20 2022

web feb 2 2009 as we look at the cross and interpret it with the help of the holy spirit and in the light of what the bible says about it we see many truths that are basic to personal religion god condones nothing but judges all sin as it deserves which scripture affirms and my conscience confirms to be right my sins merit ultimate penal suffering and

page couldn't load instagram - Apr 18 2022

web page couldn't load instagram something went wrong there's an issue and the page could not be loaded reload page 12k likes 40 comments godsworkmedia on october 26 2023 simply jesus there's so much to that short statement and this ageless truth

basic truths 1 3 abebooks - Sep 23 2022

web religion doctrine and practice for use in catholic high schools all the basic truths practices of the faith in question answer format lessons can be spread out over 4 yrs pt 1 christian ideal the commandments pt 2 means of grace pt 3 apostles s creed by cassilly fr francis sj and a great selection of related books art and

basic truths 1 3 controlplane themintgaming - Mar 18 2022

web discovering the basic truths of christianity covers the major biblical tenets including faith baptism knowing jesus as savior forgiveness repentance from sin the resurrection and many others

basic truths 1 3 english paperback betts bambi flipkart - Nov 25 2022

web basic truths 1 3 by betts bambi from flipkart.com only genuine products 30 day replacement guarantee free shipping cash on delivery

basic truths 1 3 by bambi betts alibris - Oct 25 2022

web buy basic truths 1 3 by bambi betts online at alibris we have new and used copies available in 1 editions starting at 4.17 shop now

basic truths 1 3 by bambi betts paperback barnes noble - Apr 30 2023

web apr 29 2008 1 god is 2 why in the world 3 growing the first set in our popular series of books for very young children in one book basic truths 1 3 64 by bambi betts view more add to wishlist basic truths 1 3 64 by bambi betts view more paperback 9.95 paperback

basic truths 1 3 betts bambi amazon com be books - Jan 28 2023

web select the department you want to search in

basic truths 1 3 by betts bambi amazon ae - Feb 26 2023

web buy basic truths 1 3 by betts bambi online on amazon ae at best prices fast and free shipping free returns cash on delivery available on eligible purchase

download ebook basic truths 1 3 full yumpu - Aug 23 2022

web pdf download basic truths 1 3 ebook read online link read download and more info manbookgalery com 0853985235
download basic truths 1 3 read ebook

basic truths 1 3 sgsbenelux internalpublications com - Oct 05 2023

web onslaught of noise and distractions yet set within the musical pages of basic truths 1 3 a captivating function of fictional elegance that pulses with fresh feelings lies an unforgettable trip waiting to be embarked upon published by a

basic truths 1 3 by bambi betts goodreads - Jul 02 2023

web jan 1 2008 1 god is 2 why in the world 3 growing the first set in our popular series of books for very young children in one book designed to help parents teach their children some of the abstract ideas enshrined in the bahá í teachings each booklet provides the basic vocabulary and concepts needed

basic truths 1 3 betts bambi 9780853985235 amazon com - Aug 03 2023

web apr 1 2008 basic truths 1 3 betts bambi on amazon com free shipping on qualifying offers basic truths 1 3

basic truths 1 3 betts bambi 9780853985235 abebooks - Dec 27 2022

web abebooks com basic truths 1 3 9780853985235 by betts bambi and a great selection of similar new used and collectible books available now at great prices

basic truths th hristia aith bsfblog org - Jun 20 2022

web it is sinful to lie cheat steal or disobey our parents 2 sin is a condition every person inherits from adam 3 apart from christ all people are slaves to sin and satan living to please only themselves 4 levticus 5 171 exodus 20 1 172 romans 5 12 193 john 8 344 basic truth 7 how can people know how to please god if they are born sinful

10 fundamental truths that will change your life success - Feb 14 2022

web jul 9 2022 when you forgive someone it doesn t condone their actions it simply frees you from being their eternal victim
7 live in the moment you can t reach your full potential until you learn to

basic truths 1 3 betts bambi amazon sg books - Sep 04 2023

web hello sign in account lists returns orders cart

basic truths 1 3 betts bambi 9780853985235 amazon com au - Jun 01 2023

web basic truths 1 3 betts bambi on amazon com au free shipping on eligible orders basic truths 1 3

basic truths 1 3 a book by bambi betts bookshop - Mar 30 2023

web 1 god is 2 why in the world 3 growing the first set in our popular series of books for very young children in one book designed to help parents teach their children some of the abstract ideas enshrined in the bah teachings each booklet provides the basic vocabulary and concepts needed