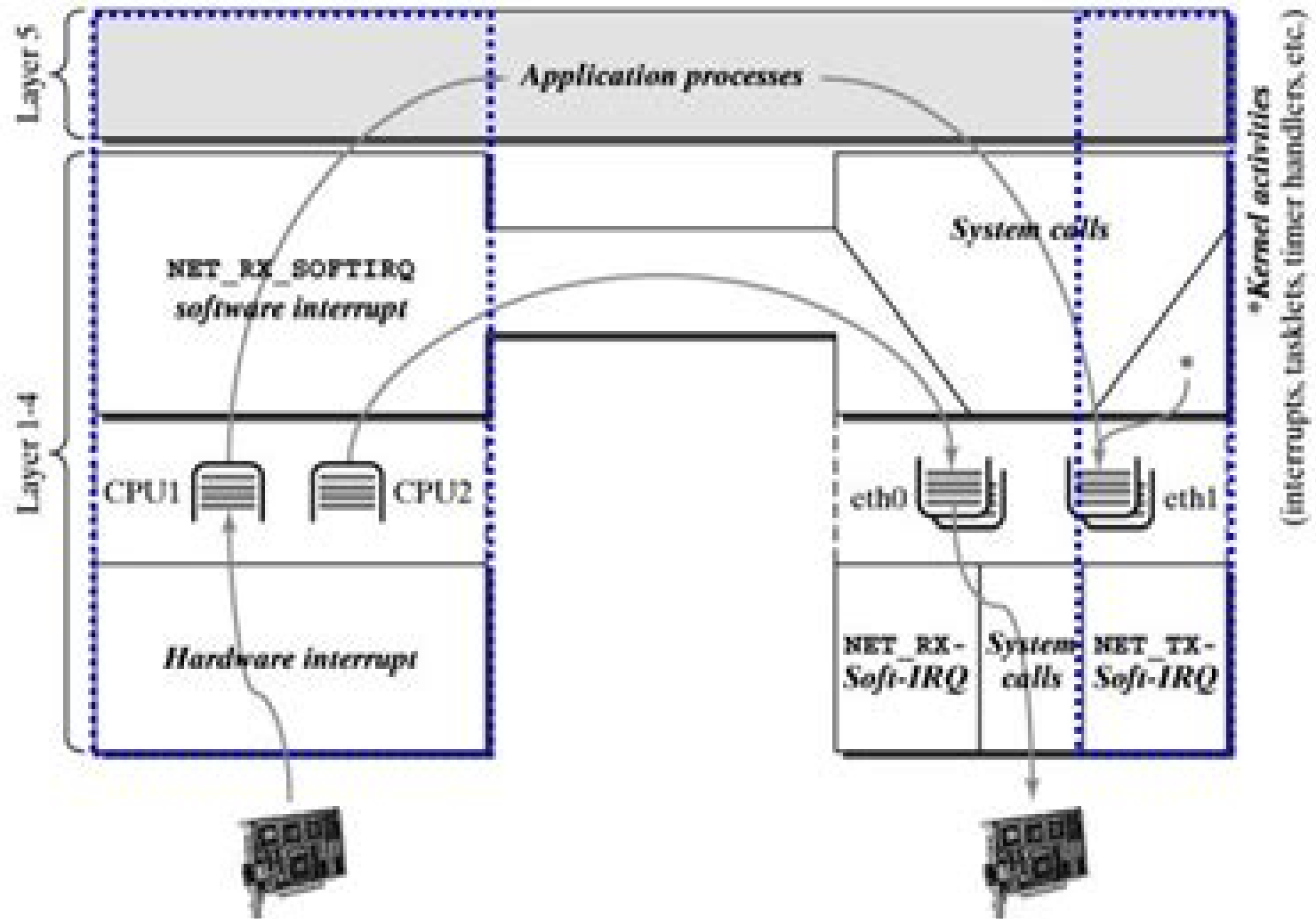


Linux Network Activity



Advanced Linux Networking

Roman Wölfel



Advanced Linux Networking:

The Enigmatic Realm of **Advanced Linux Networking**: Unleashing the Language is Inner Magic

In a fast-paced digital era where connections and knowledge intertwine, the enigmatic realm of language reveals its inherent magic. Its capacity to stir emotions, ignite contemplation, and catalyze profound transformations is nothing in short supply of extraordinary. Within the captivating pages of **Advanced Linux Networking** a literary masterpiece penned by way of a renowned author, readers set about a transformative journey, unlocking the secrets and untapped potential embedded within each word. In this evaluation, we shall explore the book's core themes, assess its distinct writing style, and delve into its lasting impact on the hearts and minds of those who partake in its reading experience.

https://enterpriseenrollment.cruiselady.com/files/virtual-library/fetch.php/About_Alphabets_Some_Marginal_Notes_On_Type_Design.pdf

Table of Contents Advanced Linux Networking

1. Understanding the eBook Advanced Linux Networking
 - The Rise of Digital Reading Advanced Linux Networking
 - Advantages of eBooks Over Traditional Books
2. Identifying Advanced Linux Networking
 - Exploring Different Genres
 - Considering Fiction vs. Non-Fiction
 - Determining Your Reading Goals
3. Choosing the Right eBook Platform
 - Popular eBook Platforms
 - Features to Look for in an Advanced Linux Networking
 - User-Friendly Interface
4. Exploring eBook Recommendations from Advanced Linux Networking
 - Personalized Recommendations
 - Advanced Linux Networking User Reviews and Ratings

- Advanced Linux Networking and Bestseller Lists
- 5. Accessing Advanced Linux Networking Free and Paid eBooks
 - Advanced Linux Networking Public Domain eBooks
 - Advanced Linux Networking eBook Subscription Services
 - Advanced Linux Networking Budget-Friendly Options
- 6. Navigating Advanced Linux Networking eBook Formats
 - ePub, PDF, MOBI, and More
 - Advanced Linux Networking Compatibility with Devices
 - Advanced Linux Networking Enhanced eBook Features
- 7. Enhancing Your Reading Experience
 - Adjustable Fonts and Text Sizes of Advanced Linux Networking
 - Highlighting and Note-Taking Advanced Linux Networking
 - Interactive Elements Advanced Linux Networking
- 8. Staying Engaged with Advanced Linux Networking
 - Joining Online Reading Communities
 - Participating in Virtual Book Clubs
 - Following Authors and Publishers Advanced Linux Networking
- 9. Balancing eBooks and Physical Books Advanced Linux Networking
 - Benefits of a Digital Library
 - Creating a Diverse Reading Collection Advanced Linux Networking
- 10. Overcoming Reading Challenges
 - Dealing with Digital Eye Strain
 - Minimizing Distractions
 - Managing Screen Time
- 11. Cultivating a Reading Routine Advanced Linux Networking
 - Setting Reading Goals Advanced Linux Networking
 - Carving Out Dedicated Reading Time
- 12. Sourcing Reliable Information of Advanced Linux Networking
 - Fact-Checking eBook Content of Advanced Linux Networking
 - Distinguishing Credible Sources

13. Promoting Lifelong Learning
 - Utilizing eBooks for Skill Development
 - Exploring Educational eBooks
14. Embracing eBook Trends
 - Integration of Multimedia Elements
 - Interactive and Gamified eBooks

Advanced Linux Networking Introduction

In this digital age, the convenience of accessing information at our fingertips has become a necessity. Whether its research papers, eBooks, or user manuals, PDF files have become the preferred format for sharing and reading documents. However, the cost associated with purchasing PDF files can sometimes be a barrier for many individuals and organizations. Thankfully, there are numerous websites and platforms that allow users to download free PDF files legally. In this article, we will explore some of the best platforms to download free PDFs. One of the most popular platforms to download free PDF files is Project Gutenberg. This online library offers over 60,000 free eBooks that are in the public domain. From classic literature to historical documents, Project Gutenberg provides a wide range of PDF files that can be downloaded and enjoyed on various devices. The website is user-friendly and allows users to search for specific titles or browse through different categories. Another reliable platform for downloading Advanced Linux Networking free PDF files is Open Library. With its vast collection of over 1 million eBooks, Open Library has something for every reader. The website offers a seamless experience by providing options to borrow or download PDF files. Users simply need to create a free account to access this treasure trove of knowledge. Open Library also allows users to contribute by uploading and sharing their own PDF files, making it a collaborative platform for book enthusiasts. For those interested in academic resources, there are websites dedicated to providing free PDFs of research papers and scientific articles. One such website is Academia.edu, which allows researchers and scholars to share their work with a global audience. Users can download PDF files of research papers, theses, and dissertations covering a wide range of subjects. Academia.edu also provides a platform for discussions and networking within the academic community. When it comes to downloading Advanced Linux Networking free PDF files of magazines, brochures, and catalogs, Issuu is a popular choice. This digital publishing platform hosts a vast collection of publications from around the world. Users can search for specific titles or explore various categories and genres. Issuu offers a seamless reading experience with its user-friendly interface and allows users to download PDF files for offline reading. Apart from dedicated platforms, search engines also play a crucial role in finding free PDF files. Google, for instance, has an advanced search feature that allows users to filter results by file type. By specifying the file type as "PDF," users can find websites that offer

free PDF downloads on a specific topic. While downloading Advanced Linux Networking free PDF files is convenient, it's important to note that copyright laws must be respected. Always ensure that the PDF files you download are legally available for free. Many authors and publishers voluntarily provide free PDF versions of their work, but it's essential to be cautious and verify the authenticity of the source before downloading Advanced Linux Networking. In conclusion, the internet offers numerous platforms and websites that allow users to download free PDF files legally. Whether it's classic literature, research papers, or magazines, there is something for everyone. The platforms mentioned in this article, such as Project Gutenberg, Open Library, Academia.edu, and Issuu, provide access to a vast collection of PDF files. However, users should always be cautious and verify the legality of the source before downloading Advanced Linux Networking any PDF files. With these platforms, the world of PDF downloads is just a click away.

FAQs About Advanced Linux Networking Books

1. Where can I buy Advanced Linux Networking books? Bookstores: Physical bookstores like Barnes & Noble, Waterstones, and independent local stores. Online Retailers: Amazon, Book Depository, and various online bookstores offer a wide range of books in physical and digital formats.
2. What are the different book formats available? Hardcover: Sturdy and durable, usually more expensive. Paperback: Cheaper, lighter, and more portable than hardcovers. E-books: Digital books available for e-readers like Kindle or software like Apple Books, Kindle, and Google Play Books.
3. How do I choose a Advanced Linux Networking book to read? Genres: Consider the genre you enjoy (fiction, non-fiction, mystery, sci-fi, etc.). Recommendations: Ask friends, join book clubs, or explore online reviews and recommendations. Author: If you like a particular author, you might enjoy more of their work.
4. How do I take care of Advanced Linux Networking books? Storage: Keep them away from direct sunlight and in a dry environment. Handling: Avoid folding pages, use bookmarks, and handle them with clean hands. Cleaning: Gently dust the covers and pages occasionally.
5. Can I borrow books without buying them? Public Libraries: Local libraries offer a wide range of books for borrowing. Book Swaps: Community book exchanges or online platforms where people exchange books.
6. How can I track my reading progress or manage my book collection? Book Tracking Apps: Goodreads, LibraryThing, and Book Catalogue are popular apps for tracking your reading progress and managing book collections. Spreadsheets: You can create your own spreadsheet to track books read, ratings, and other details.

7. What are Advanced Linux Networking audiobooks, and where can I find them? Audiobooks: Audio recordings of books, perfect for listening while commuting or multitasking. Platforms: Audible, LibriVox, and Google Play Books offer a wide selection of audiobooks.
8. How do I support authors or the book industry? Buy Books: Purchase books from authors or independent bookstores. Reviews: Leave reviews on platforms like Goodreads or Amazon. Promotion: Share your favorite books on social media or recommend them to friends.
9. Are there book clubs or reading communities I can join? Local Clubs: Check for local book clubs in libraries or community centers. Online Communities: Platforms like Goodreads have virtual book clubs and discussion groups.
10. Can I read Advanced Linux Networking books for free? Public Domain Books: Many classic books are available for free as they're in the public domain. Free E-books: Some websites offer free e-books legally, like Project Gutenberg or Open Library.

Find Advanced Linux Networking :

about alphabets; some marginal notes on type design

abbott costello the original broadcasts from radios golden age

aaa travel video series alberta british columbia manitoba saskatchewan

abigail adams heroes of the revolution

abebment in early childhood education

abc de la chromatharapie

aa exploring britains long distance paths

abc der hundekrankheiten

abbey heroes and villains

abiriiskaia tserkov vostoka istoricheskii ocherk

abingdon past and present

aa key guide rome

abcs of lawn sprinkler systems

abraham lincoln/george washington young presidents - the great emancipator/our first leader

abc of behavioural methods

Advanced Linux Networking :

visio floor plan template google sites - Feb 16 2022

web visio floor plan template plan template in peoplesoft enterprise incentive management the base from which a plan is created a plan template contains common sections and variables that are inherited by all plans that are created from the template a template may contain steps and sections that are not visible in the plan definition

visio hvac templates free download housecall pro - Jun 03 2023

web when using visio to create hvac templates they will often include diagrams of ducts dimensions for various fixtures or installations symbols to denote things in shorthand text for instructions attached word documents and excel spreadsheets fill out the form below and download this free template to start using for your business today

how to create a floor plan in ms visio conceptdraw - Jul 24 2022

web house electrical plan software for creating great looking home floor electrical plan using professional electrical symbols you can use many of built in templates electrical symbols and electrical schemes examples of our house electrical diagram software

floor plan creator and blueprint maker microsoft visio - May 02 2023

web visio has three templates for creating hvac diagrams and drawings the hvac plan the hvac control logic and the reflected ceiling plan these templates can be used to create annotated diagrams for heating ventilation air conditioning and distribution and refrigeration systems for automated building control environmental control and

create an hvac plan in visio microsoft support - Oct 07 2023

web start an hvac plan in one of the following ways as a new drawing in the maps and floor plans template or category click hvac plan create by default this drawing type opens a scaled drawing page in landscape orientation you can change page ruler and grid settings at any time

adding building services microsoft visio version 2002 inside - May 22 2022

web to add hvac information to a floor plan created in a cad program start in visio by choosing file new building plan and then select one of the two hvac templates then insert the cad drawing choose insert cad drawing for details see using a floor plan from a cad drawing or refer to chapter 17 using cad drawings in visio

hvac plan the complete guide edrawmax edraw software - Aug 25 2022

web learn from this hvac plan complete guide to know everything about hvac plan like what is hvac plan hvac plan symbols examples and how to make hvac plan in edrawmax just try it free now download

mi hvac equipment free visio stencils shapes templates add - Dec 29 2022

web aug 1 2016 the industries we support with visio stencils and visio add ons include network building controls security

floor plan energy oil and gas and manufacturing whatever kind of visio stencil template or shape or even clipart that you need for technical diagrams you can find it on shapessource

create a floor plan microsoft support - Apr 01 2023

web use the floor plan template in visio to draw floor plans for individual rooms or for entire floors of your building including the wall structure building core and electrical symbols here is an example of a completed floor plan

download hvac plan template for visio 2010 from official - Sep 06 2023

web mar 13 2012 hvac plan template for visio 2010 this sample diagram which was generated from the out of the box hvac template and features intelligent shapes is a companion to the 2010 visio mvp sessions video 1 important selecting a language below will dynamically change the complete page content to that language details

how to create a floor plan in visio edrawmax edraw software - Oct 27 2022

web step3 create from scratch if you plan to create a floor plan from scratch go to building plan that you will find under the engineering diagram type and click on floor plan upon clicking you can either select from pre built templates or click on the sign

how to draw a hvac plan in visio edrawmax edraw software - Jul 04 2023

web if you want to create the hvac plan as a new drawing you can use templates from the maps and floor plans category go to the hvac plan option and click on create to start your drawing you will get a scaled page with a default landscape orientation

[hvac plan template for visio 2010 microsoft com](#) - Jan 30 2023

web hvac plan template for visio 2010 language english download close this sample diagram which was generated from the out of the box hvac template and features intelligent shapes is a companion to the 2010 visio mvp sessions video 1 quick details system requirements instructions popular downloads product families 01 office

hvac drawing templates smartdraw - Apr 20 2022

web build diagrams of all kinds from flowcharts to floor plans with intuitive tools and templates whiteboarding collaborate with your team on a seamless workspace no matter where they are data generate diagrams from data and add data to shapes to enhance your existing visuals enterprise friendly easy to administer and license your entire

hvac plan template for visio 2010 microsoft com - Nov 27 2022

web this sample diagram which was generated from the out of the box hvac template and features intelligent shapes is a companion to the 2010 visio mvp sessions video 1

[free hvac plan maker with templates edrawmax edraw](#) - Jun 22 2022

web you can use the high quality hvac plan templates present on the tool to create your plan or you may also work on your

own you can go to file and click on new to get to floor plans if you double click on the templates option you will get several professional level hvac floor plan templates

compare visio options microsoft visio - Mar 20 2022

web explore available visio offerings and compare visio in microsoft 365 visio plan 1 and visio plan 2 to find the right option for you

featured visio templates and diagrams microsoft support - Aug 05 2023

web visio is a diagramming tool that makes it easy and intuitive to create flowcharts diagrams org charts floor plans engineering designs and more by using modern templates with the familiar office experience on this page you can access some of the top templates and sample diagrams available in visio or request ones that you want

free editable hvac plan examples templates edrawmax - Sep 25 2022

web edrawmax is the best hvac plan maker that gives you free editable templates to make your diagram here we will talk about hvac plan templates types and uses learn how to use these templates and check out our hvac plan example for reference in this article 01 free hvac plan examples templates 02 how to use hvac plan templates

create a plant layout microsoft support - Feb 28 2023

web you can do this one of three ways create a visio floor plan insert a cad floor plan or copy and paste an existing visio floor plan drawing into a new drawing see the subsequent procedures on how to do this

free mhhe zoology miller harley test cyberlab sutd edu sg - Jan 28 2023

web mhhe zoology miller harley test general zoology aug 02 2022 general zoology investigating the animal world is an introductory level college biology textbook that provides students with an accessible and engaging look at the fundamentals of zoology written for a one term undergraduate

zoology 9th edition miller and harley pdf ams istanbul edu - Mar 18 2022

web 2 zoology 9th edition miller and harley 2023 05 10 comprehensive in scope yet detailed in coverage this text helps students understand and appropriately use probability distributions sampling distributions estimation hypothesis testing variance analysis regression correlation analysis and other statistical tools fundamental to the

zoology miller and harley mcqs quiz posts facebook - Oct 25 2022

web zoology miller and harley mcqs quiz 4 239 likes 33 talking about this zoology miller and harley is a learning place here mcqs is a main aim to

zoology miller and harley quiz apps on google play - Feb 26 2023

web aug 10 2023 zoology miller and harley quiz consists of thirty four quiz sets each set represents a chapter content list of zoology miller harley quiz app an evolutionary and ecological perspective cells tissues organs and organ systems of animals

cell division and inheritance evolution history and evidence

miller and harley youtube - May 20 2022

web welcome to my channel miller and harley my name is hafiz rao danyal ikram mphil zoology i make these videos because i love to draw and connect the complexity of science into art

zoology miller and harley mcqs quiz facebook - Sep 23 2022

web zoology miller and harley mcqs quiz 4 760 likes 8 talking about this zoology miller and harley is a learning place here mcqs is a main aim to sharing every one should

mcqs vertebrate kidney zoology by miller and harley - Jun 20 2022

web how metanephric kidney workscountercurrent exchange mechanismmcqszoology by miller and harleychapter 28

miller harley mcqs quiz apps on google play - Jul 22 2022

web apr 30 2020 about this app arrow forward miller and harley mcqs quiz is for preparation of the entry tests for mphil zoology or for uni or colege mids and finals the question in the questions in

miller harley s zoology 6e preface mcgraw hill education - Jun 01 2023

web miller harley s zoology 6e preface as authors we are honored to play a key role in the instruction of future generations of zoologists ecologists wildlife managers and other life scientists we undertook the revision for the sixth edition with this privilege and the responsibility for content integrity in mind

miller and harley chapter 1 multiple choice question - Apr 30 2023

web zoology miller and harley chapter 1 multiple choice questionzoologist ayesha arif zoologyclasses zoologylectures

chapter 01 mcqs zoology by miller and harley 5th edition - Jul 02 2023

web 0 00 12 37 intro chapter 01 mcqs zoology by miller and harley 5th edition mr zoologist 2 31k subscribers subscribe 6 3k views 2 years ago talagang this channel is based on educational

zoology 9th edition miller and harley full pdf ams istanbul edu - Feb 14 2022

web zoology 9th edition miller and harley guide for the care and use of laboratory animals zoology the biology of sea turtles volume ii the publishers trade list annual dail and hammar s pulmonary pathology clep general exams book online 9th ed biology zoology comparative anatomy of the vertebrates diet and health animal diversity

miller harley mcqs quiz apk for android download - Nov 25 2022

web aug 29 2020 miller and harley mcqs quiz is for preparation of the different types tests miller and harley mcqs quiz is for preparation of the entry tests for mphil zoology or for uni or colege mids and finals the question in the questions in the application are so much similar to the questions in the real tests and having

miller and harley zoology 5th edition quizzes ams istanbul edu - Apr 18 2022

web chordate zoology miller and harley zoology 5th edition quizzes downloaded from ams istanbul edu tr by guest oscar santiago microbiology multiple choice questions and answers mcqs rastogi publications this is a principles orientated introductory zoology text for non majors or combined majors non majors freshman sophomore level

pdf miller and harely solved mcqs researchgate - Aug 23 2022

web jul 16 2022 miller and harely solved mcqs authors kalim ullah gouvernement post graduate college karak muhammad afnan nasir islam abstract this book contain completely solved mcqs taken from zoology book

zoology miller 10th edition 2016 mcgraw hill - Dec 27 2022

web zoology 2016 by stephen miller and john harley offers students an introductory text that is manageable in size and adaptable to a variety of course formats zoology emphasizes ecological and evolutionary concepts and helps students understand the process of science through elements of chapter organization and boxed readings

zoology online learning center mhhe com millerharley7e - Aug 03 2023

web stephen a miller john p harley this convenient website takes studying to a whole new level students will find multiple choice quizzing key term flashcards web links interactive cladistics exercises boxed readings and more instructors will appreciate a password protected

miller harley zoology fifth edition the mc graw hill - Mar 30 2023

web mar 14 2020 opensource language english zoology by miller miller and harley addeddate 2020 03 14 05 46 56 identifier miller harleyzoologyfiftheditionthemcgrawhill identifier ark

zoology mcgraw hill education - Oct 05 2023

web welcome to the online learning center for the fifth edition of zoology by miller and harley inside you will find materials aimed at enhancing the use of your text exercises additional reading materials quizzes and related web links learn more about this text and its package by visiting the information center for this title

mcgraw hill higher education - Sep 04 2023

web we would like to show you a description here but the site won t allow us

pdf kindle download prometheus bound greek - Mar 02 2022

web nov 26 2021 start now prometheus bound greek tragedy in new translations prometheus bound greek tragedy in new translations link download

prometheus bound greek tragedy in new translations - Jul 18 2023

web jun 26 1975 prometheus bound greek tragedy in new translations first printing edition prometheus bound greek tragedy in new translations first printing

prometheus bound greek tragedy in new translations - Jun 05 2022

web prometheus bound greek tragedy in new translations isbn 9780195061659 0195061659 by aeschylus buy sell or rent this book for the best price compare prices

prometheus bound greek tragedy in new translations - May 16 2023

web for readers accustomed to the relatively undramatic standard translations of prometheus bound this version by james scully a poet and winner of the lamont poetry prize and

prometheus bound greek tragedy in new translations - Jan 12 2023

web for readers accustomed to the relatively undramatic standard translations of prometheus bound this version by james scully a poet and winner of the lamont poetry prize and

introduction to prometheus bound jstor - Jul 06 2022

web the prometheus bound unlike any other extant greek tragedy carries us back almost to the beginnings of this universe it is set in a period when the olympian gods were new

prometheus bound greek tragedy in new translations - Aug 19 2023

web feb 1 1990 for readers accustomed to the relatively undramatic standard translations of prometheus bound this version by james scully a poet and winner of the lamont

prometheus trilogy prometheus bound translated by henry - Apr 03 2022

web jan 4 2015 prometheus bound has been one of the most influential of the classical greek tragedies inspiring poems by goethe shelly byron and others but it is often

[greek tragedies i aeschylus agamemnon prometheus bound](#) - Aug 07 2022

web apr 22 2013 outstanding translations of five plays now updated with informative new content for students teachers and lovers of the classics greek tragedies volume i

prometheus bound greek tragedy ancient drama - Feb 13 2023

web prometheus bound greek promētheus desmōtēs tragedy by aeschylus the dating of which is uncertain the play concerns the god prometheus who in defiance of zeus

amazon com customer reviews prometheus bound greek - Sep 08 2022

web jan 2 2023 find helpful customer reviews and review ratings for prometheus bound greek tragedy in new translations at amazon com read honest and unbiased

prometheus bound as tragedy essay david - Feb 01 2022

web dec 31 2009 prometheus bound is the story of the god prometheus and the events that follow after he disobeys the new ruler zeus by granting gifts of survival namely fire to

[prometheus bound greek tragedy in new translations](#) - Oct 09 2022

web buy prometheus bound greek tragedy in new translations reprint by aeschylus aeschylus scully james herington c john isbn 9780195061659 from amazon s

torture and surveillance of the gods a brilliant new translation - Nov 10 2022

web march 26 2015 few gods or monsters in the teeming world of greek mythology have ignited the western imagination like prometheus joel agee writes in the introduction to

prometheus bound greek tragedy in new translations - Apr 15 2023

web for readers accustomed to the relatively undramatic standard translations of prometheus bound this version by james scully a poet and winner of the lamont poetry prize and

prometheus bound world history encyclopedia - May 04 2022

web feb 2 2018 a seventh surviving play prometheus bound is the subject of some dispute as part of a trilogy together with prometheus unbound and prometheus firebringer it

prometheus bound greek tragedy in new translations ebook - Mar 14 2023

web prometheus bound greek tragedy in new translations reprint edition kindle edition james scully c john herington as part of a tragic trilogy and this translation is unique

prometheus bound greek tragedy in new translations - Dec 31 2021

web feb 1 1990 prometheus bound greek tragedy in new translations reprint edition kindle edition by aeschylus author james scully translator c john herington

[prometheus bound wikipedia](#) - Jun 17 2023

prometheus bound ancient greek Προμηθεὺς Δεσμώτης promētheús desmōtēs is an ancient greek tragedy traditionally attributed to aeschylus and thought to have been composed sometime between 479 bc and the terminus ante quem of 424 bc the tragedy is based on the myth of prometheus a titan who defies zeus and protects and gives fire to mankind for which he is subjected to the wrath of zeus and punished

[prometheus bound greek tragedy in new translations](#) - Dec 11 2022

web find out how long it will take you to read prometheus bound greek tragedy in new translations by using our book word count search search for a book tell us how fast

prometheus bound greek tragedy in new translations - Sep 20 2023

web feb 1 1990 prometheus bound greek tragedy in new translations reprint edition by aeschylus author james scully translator c john herington translator 0 more 4 5 out of 5 stars 86 ratings