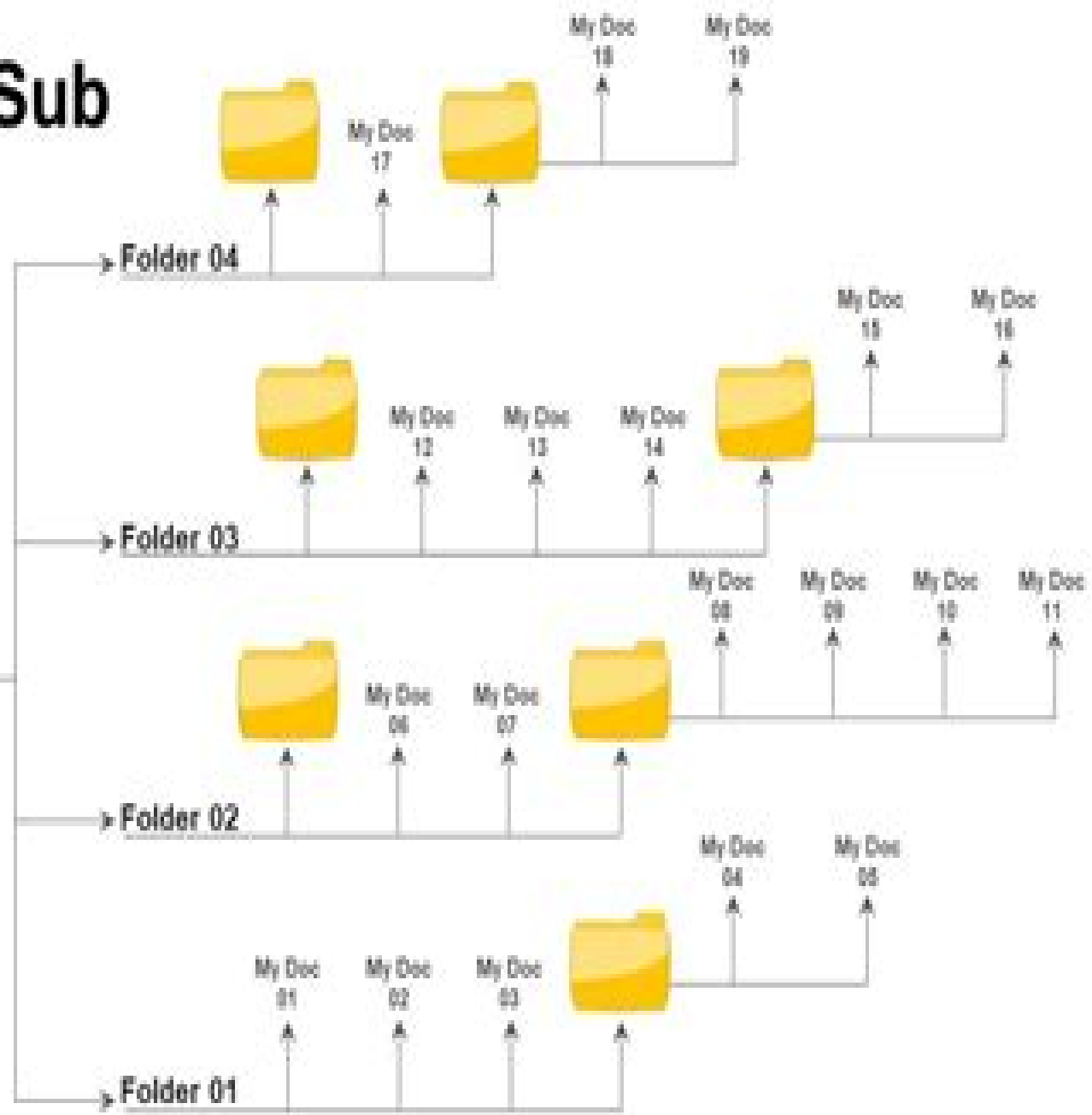


# File Structure Showing Data Sub Folders



This slide is 100% editable. Adapt it to your needs and capture your audience's attention.

# Data Management And File Structures

**RS Peters**



## **Data Management And File Structures:**

**Data Management and File Structures** Mary E. S. Loomis,1989      **Data Management and File Structures** Mary E. S. Loomis,1989      Database Management System MCQ (Multiple Choice Questions) Arshad Iqbal,2019-06-11 The Database Management System Multiple Choice Questions MCQ Quiz with Answers PDF DBMS MCQ PDF Download Quiz Questions Chapter 1 14 Practice Tests with Answer Key DBMS Questions Bank MCQs Notes includes revision guide for problem solving with hundreds of solved MCQs Database Management System MCQ with Answers PDF book covers basic concepts analytical and practical assessment tests Database Management System MCQ PDF book helps to practice test questions from exam prep notes The Database Management System MCQs with Answers PDF eBook includes revision guide with verbal quantitative and analytical past papers solved MCQs Database Management System Multiple Choice Questions and Answers MCQs PDF Free download chapter 1 a book covers solved quiz questions and answers on chapters Modeling entity relationship model database concepts and architecture database design methodology and UML diagrams database management systems disk storage file structures and hashing entity relationship modeling file indexing structures functional dependencies and normalization introduction to SQL programming techniques query processing and optimization algorithms relational algebra and calculus relational data model and database constraints relational database design algorithms dependencies schema definition constraints queries and views tests for college and university revision guide Database Management System Quiz Questions and Answers PDF free download eBook s sample covers beginner s solved questions textbook s study notes to practice online tests The book DBMS MCQs Chapter 1 14 PDF includes CS question papers to review practice tests for exams Database Management System Multiple Choice Questions MCQ with Answers PDF digital edition eBook a study guide with textbook chapters tests for DBA DB2 OCA OCP MCDBA SQL MySQL competitive exam Database Systems Mock Tests Chapter 1 14 eBook covers problem solving exam tests from computer science textbook and practical eBook chapter wise as Chapter 1 Data Modeling Entity Relationship Model MCQ Chapter 2 Database Concepts and Architecture MCQ Chapter 3 Database Design Methodology and UML Diagrams MCQ Chapter 4 Database Management Systems MCQ Chapter 5 Disk Storage File Structures and Hashing MCQ Chapter 6 Entity Relationship Modeling MCQ Chapter 7 File Indexing Structures MCQ Chapter 8 Functional Dependencies and Normalization MCQ Chapter 9 Introduction to SQL Programming Techniques MCQ Chapter 10 Query Processing and Optimization Algorithms MCQ Chapter 11 Relational Algebra and Calculus MCQ Chapter 12 Relational Data Model and Database Constraints MCQ Chapter 13 Relational Database Design Algorithms Dependencies MCQ Chapter 14 Schema Definition Constraints Queries and Views MCQ The Data Modeling Entity Relationship Model MCQ PDF e Book Chapter 1 practice test to solve MCQ questions on Introduction to data modeling ER diagrams ERM types constraints conceptual data models entity types sets attributes and keys relational database management system relationship types sets and roles UML class diagrams and weak entity types

The Database Concepts and Architecture MCQ PDF e Book Chapter 2 practice test to solve MCQ questions on Client server architecture data independence data models and schemas data models categories database management interfaces database management languages database management system classification database management systems database system environment relational database management system relational database schemas schemas instances and database state and three schema architecture The Database Design Methodology and UML Diagrams MCQ PDF e Book Chapter 3 practice test to solve MCQ questions on Conceptual database design UML class diagrams unified modeling language diagrams database management interfaces information system life cycle and state chart diagrams The Database Management Systems MCQ PDF e Book Chapter 4 practice test to solve MCQ questions on Introduction to DBMS database management system advantages advantages of DBMS data abstraction data independence database applications history database approach characteristics and DBMS end users The Disk Storage File Structures and Hashing MCQ PDF e Book Chapter 5 practice test to solve MCQ questions on Introduction to disk storage database management systems disk file records file organizations hashing techniques ordered records and secondary storage devices The Entity Relationship Modeling MCQ PDF e Book Chapter 6 practice test to solve MCQ questions on Data abstraction EER model concepts generalization and specialization knowledge representation and ontology union types ontology and semantic web specialization and generalization subclass and superclass The File Indexing Structures MCQ PDF e Book Chapter 7 practice test to solve MCQ questions on Multilevel indexes b trees indexing single level order indexes and types of indexes The Functional Dependencies and Normalization MCQ PDF e Book Chapter 8 practice test to solve MCQ questions on Functional dependencies normalization database normalization of relations equivalence of sets of functional dependency first normal form second normal form and relation schemas design The Introduction to SQL Programming Techniques MCQ PDF e Book Chapter 9 practice test to solve MCQ questions on Embedded and dynamic SQL database programming and impedance mismatch The Query Processing and Optimization Algorithms MCQ PDF e Book Chapter 10 practice test to solve MCQ questions on Introduction to query processing and external sorting algorithms The Relational Algebra and Calculus MCQ PDF e Book Chapter 11 practice test to solve MCQ questions on Relational algebra operations and set theory binary relational operation join and division division operation domain relational calculus project operation query graphs notations query trees notations relational operations safe expressions select and project and tuple relational calculus The Relational Data Model and Database Constraints MCQ PDF e Book Chapter 12 practice test to solve MCQ questions on Relational database management system relational database schemas relational model concepts relational model constraints database constraints and relational schemas The Relational Database Design Algorithms Dependencies MCQ PDF e Book Chapter 13 practice test to solve MCQ questions on Relational decompositions dependencies and normal forms and join dependencies The Schema Definition Constraints Queries and Views MCQ PDF e Book Chapter 14 practice test to solve MCQ questions on Schemas statements in SQL constraints in SQL SQL

data definition and types [Oracle 10g/11g Data and Database Management Utilities](#) Hector R. Madrid,2009-06-26 Master 12 must use Oracle Database Utilities with this book and eBook **Database Management Systems:** ITL ESL,2012 Database Management Systems is designed as quick reference guide for important undergraduate computer courses The organized and accessible format of this book allows students to learn the important concepts in an easy to understand question and a [Scientific Data Management](#) Arie Shoshani,Doron Rotem,2009-12-16 Dealing with the volume complexity and diversity of data currently being generated by scientific experiments and simulations often causes scientists to waste productive time Scientific Data Management Challenges Technology and Deployment describes cutting edge technologies and solutions for managing and analyzing vast amounts of data helping **Fuzzy Databases** Frederick E. Petry,2012-12-06 This volume presents the results of approximately 15 years of work from researchers around the world on the use of fuzzy set theory to represent imprecision in databases The maturity of the research in the discipline and the recent developments in commercial industrial fuzzy databases provided an opportunity to produce this survey In this introduction we will describe briefly how fuzzy databases fit into the overall design of database systems and then overview the organization of the text FUZZY DATABASE LANDSCAPE The last five years have been witness to a revolution in the database research community The dominant data models have changed and the consensus on what constitutes worthwhile research is in flux Also at this time it is possible to gain a perspective on what has been accomplished in the area of fuzzy databases Therefore now is an opportune time to take stock of the past and establish a framework A framework should assist in evaluating future research through a better understanding of the different aspects of imprecision that a database can model 11 **An Introductory Guide to EC Competition Law and Practice** Valentine Korah,1994 **The Blackwell Encyclopedic Dictionary of Management Information Systems** Gordon B. Davis,1999-06-02 The Blackwell Encyclopedic Dictionary of Management Information Systems provides clear concise up to the minute and highly informative definitions and explanations covering the whole of the fast changing field of management information systems [Handbook of Data Management, 2nd Edition](#) Bhavani Thuraisingham,1997-12-16 [Fundamentals of Database Management Systems](#) Mark L. Gillenson,2023-05-31 In the newly revised third edition of Fundamentals of Database Management Systems veteran database expert Dr Mark Gillenson delivers an authoritative and comprehensive account of contemporary database management The Third Edition assists readers in understanding critical topics in the subject including data modeling relational database concepts logical and physical database design SQL data administration data security NoSQL blockchain database in the cloud and more The author offers a firm grounding in the fundamentals of database while at the same time providing a wide ranging survey of database subfields relevant to information systems professionals And now included in the supplements the author s audio narration of the included PowerPoint slides Readers will also find Brand new content on NoSQL database management NewSQL blockchain and database intensive applications including data analytics ERP CRM and SCM Updated and revised

narrative material designed to offer a friendly introduction to database management Renewed coverage of cloud based database management Extensive updates to incorporate the transition from rotating disk secondary storage to solid state drives

**Survey Data Management and Access** Jianzhang He,1998 *Understanding Database Management Systems* Joseph A. Vasta,1989 This book can be used as an introductory course in database management systems as a supplementary text for professionals in information processing or as a reference for end users in areas supporting data management systems This edition provides added and expanded coverage of areas affected by technological advances in data management The examples comparison charts and end of chapter exercises have been substantially increased to ensure students can apply the materials presented

*Manufacturing Database Management and Knowledge Based Expert Systems* Paul G. Ranky,1990

Energy Research Abstracts ,1977 Semiannual with semiannual and annual indexes References to all scientific and technical literature coming from DOE its laboratories energy centers and contractors Includes all works deriving from DOE other related government sponsored information and foreign nonnuclear information Arranged under 39 categories e g Biomedical sciences basic studies Biomedical sciences applied studies Health and safety and Fusion energy Entry gives bibliographical information and abstract Corporate author subject report number indexes

**Proceedings of the Second Annual Berkeley Workshop on Distributed Data Management and Computer Networks, May 1977** ,1977

SIGMOD Record ,1976 Software Protection ,1982 *The Library Micro Consumer* Robert McSpadden Mason,Stephen Ennis,Metrics Research Corporation,1986 New Perspectives on Computer Concepts June Jamrich Parsons,Dan Oja,2000 The Fourth edition of this highly successful text now offers even greater integration between the text state of the art technology and the Web Each text comes with a media loaded CD ROM that brings the text to life with numerous animations graphics videos links to the Web and more

## Reviewing **Data Management And File Structures**: Unlocking the Spellbinding Force of Linguistics

In a fast-paced world fueled by information and interconnectivity, the spellbinding force of linguistics has acquired newfound prominence. Its capacity to evoke emotions, stimulate contemplation, and stimulate metamorphosis is actually astonishing. Within the pages of "**Data Management And File Structures**," an enthralling opus penned by a highly acclaimed wordsmith, readers embark on an immersive expedition to unravel the intricate significance of language and its indelible imprint on our lives. Throughout this assessment, we shall delve into the book's central motifs, appraise its distinctive narrative style, and gauge its overarching influence on the minds of its readers.

[https://enterpriseenrollment.cruiselady.com/public/detail/fetch.php/Andrew\\_Fletcher\\_Of\\_Saltoun\\_Selected\\_Political\\_Writings\\_And\\_Speeches.pdf](https://enterpriseenrollment.cruiselady.com/public/detail/fetch.php/Andrew_Fletcher_Of_Saltoun_Selected_Political_Writings_And_Speeches.pdf)

### **Table of Contents Data Management And File Structures**

1. Understanding the eBook Data Management And File Structures
  - The Rise of Digital Reading Data Management And File Structures
  - Advantages of eBooks Over Traditional Books
2. Identifying Data Management And File Structures
  - Exploring Different Genres
  - Considering Fiction vs. Non-Fiction
  - Determining Your Reading Goals
3. Choosing the Right eBook Platform
  - Popular eBook Platforms
  - Features to Look for in a Data Management And File Structures
  - User-Friendly Interface
4. Exploring eBook Recommendations from Data Management And File Structures
  - Personalized Recommendations
  - Data Management And File Structures User Reviews and Ratings

- Data Management And File Structures and Bestseller Lists
- 5. Accessing Data Management And File Structures Free and Paid eBooks
  - Data Management And File Structures Public Domain eBooks
  - Data Management And File Structures eBook Subscription Services
  - Data Management And File Structures Budget-Friendly Options
- 6. Navigating Data Management And File Structures eBook Formats
  - ePub, PDF, MOBI, and More
  - Data Management And File Structures Compatibility with Devices
  - Data Management And File Structures Enhanced eBook Features
- 7. Enhancing Your Reading Experience
  - Adjustable Fonts and Text Sizes of Data Management And File Structures
  - Highlighting and Note-Taking Data Management And File Structures
  - Interactive Elements Data Management And File Structures
- 8. Staying Engaged with Data Management And File Structures
  - Joining Online Reading Communities
  - Participating in Virtual Book Clubs
  - Following Authors and Publishers Data Management And File Structures
- 9. Balancing eBooks and Physical Books Data Management And File Structures
  - Benefits of a Digital Library
  - Creating a Diverse Reading Collection Data Management And File Structures
- 10. Overcoming Reading Challenges
  - Dealing with Digital Eye Strain
  - Minimizing Distractions
  - Managing Screen Time
- 11. Cultivating a Reading Routine Data Management And File Structures
  - Setting Reading Goals Data Management And File Structures
  - Carving Out Dedicated Reading Time
- 12. Sourcing Reliable Information of Data Management And File Structures
  - Fact-Checking eBook Content of Data Management And File Structures
  - Distinguishing Credible Sources



13. Promoting Lifelong Learning
  - Utilizing eBooks for Skill Development
  - Exploring Educational eBooks
14. Embracing eBook Trends
  - Integration of Multimedia Elements
  - Interactive and Gamified eBooks

### **Data Management And File Structures Introduction**

Data Management And File Structures Offers over 60,000 free eBooks, including many classics that are in the public domain. Open Library: Provides access to over 1 million free eBooks, including classic literature and contemporary works. Data Management And File Structures Offers a vast collection of books, some of which are available for free as PDF downloads, particularly older books in the public domain. Data Management And File Structures : This website hosts a vast collection of scientific articles, books, and textbooks. While it operates in a legal gray area due to copyright issues, its a popular resource for finding various publications. Internet Archive for Data Management And File Structures : Has an extensive collection of digital content, including books, articles, videos, and more. It has a massive library of free downloadable books. Free-eBooks Data Management And File Structures Offers a diverse range of free eBooks across various genres. Data Management And File Structures Focuses mainly on educational books, textbooks, and business books. It offers free PDF downloads for educational purposes. Data Management And File Structures Provides a large selection of free eBooks in different genres, which are available for download in various formats, including PDF. Finding specific Data Management And File Structures, especially related to Data Management And File Structures, might be challenging as theyre often artistic creations rather than practical blueprints. However, you can explore the following steps to search for or create your own Online Searches: Look for websites, forums, or blogs dedicated to Data Management And File Structures, Sometimes enthusiasts share their designs or concepts in PDF format. Books and Magazines Some Data Management And File Structures books or magazines might include. Look for these in online stores or libraries. Remember that while Data Management And File Structures, sharing copyrighted material without permission is not legal. Always ensure youre either creating your own or obtaining them from legitimate sources that allow sharing and downloading. Library Check if your local library offers eBook lending services. Many libraries have digital catalogs where you can borrow Data Management And File Structures eBooks for free, including popular titles. Online Retailers: Websites like Amazon, Google Books, or Apple Books often sell eBooks. Sometimes, authors or publishers offer promotions or free periods for certain books. Authors Website Occasionally, authors provide excerpts or short stories for free on their websites. While this might not be the Data Management And File Structures full

book , it can give you a taste of the authors writing style.Subscription Services Platforms like Kindle Unlimited or Scribd offer subscription-based access to a wide range of Data Management And File Structures eBooks, including some popular titles.

### **FAQs About Data Management And File Structures Books**

How do I know which eBook platform is the best for me? Finding the best eBook platform depends on your reading preferences and device compatibility. Research different platforms, read user reviews, and explore their features before making a choice. Are free eBooks of good quality? Yes, many reputable platforms offer high-quality free eBooks, including classics and public domain works. However, make sure to verify the source to ensure the eBook credibility. Can I read eBooks without an eReader? Absolutely! Most eBook platforms offer webbased readers or mobile apps that allow you to read eBooks on your computer, tablet, or smartphone. How do I avoid digital eye strain while reading eBooks? To prevent digital eye strain, take regular breaks, adjust the font size and background color, and ensure proper lighting while reading eBooks. What the advantage of interactive eBooks? Interactive eBooks incorporate multimedia elements, quizzes, and activities, enhancing the reader engagement and providing a more immersive learning experience. Data Management And File Structures is one of the best book in our library for free trial. We provide copy of Data Management And File Structures in digital format, so the resources that you find are reliable. There are also many Ebooks of related with Data Management And File Structures. Where to download Data Management And File Structures online for free? Are you looking for Data Management And File Structures PDF? This is definitely going to save you time and cash in something you should think about. If you trying to find then search around for online. Without a doubt there are numerous these available and many of them have the freedom. However without doubt you receive whatever you purchase. An alternate way to get ideas is always to check another Data Management And File Structures. This method for see exactly what may be included and adopt these ideas to your book. This site will almost certainly help you save time and effort, money and stress. If you are looking for free books then you really should consider finding to assist you try this. Several of Data Management And File Structures are for sale to free while some are payable. If you arent sure if the books you would like to download works with for usage along with your computer, it is possible to download free trials. The free guides make it easy for someone to free access online library for download books to your device. You can get free download on free trial for lots of books categories. Our library is the biggest of these that have literally hundreds of thousands of different products categories represented. You will also see that there are specific sites catered to different product types or categories, brands or niches related with Data Management And File Structures. So depending on what exactly you are searching, you will be able to choose e books to suit your own need. Need to access completely for Campbell Biology Seventh Edition book? Access Ebook without any digging. And by having

access to our ebook online or by storing it on your computer, you have convenient answers with Data Management And File Structures To get started finding Data Management And File Structures, you are right to find our website which has a comprehensive collection of books online. Our library is the biggest of these that have literally hundreds of thousands of different products represented. You will also see that there are specific sites catered to different categories or niches related with Data Management And File Structures So depending on what exactly you are searching, you will be able to choose ebook to suit your own need. Thank you for reading Data Management And File Structures. Maybe you have knowledge that, people have search numerous times for their favorite readings like this Data Management And File Structures, but end up in harmful downloads. Rather than reading a good book with a cup of coffee in the afternoon, instead they juggled with some harmful bugs inside their laptop. Data Management And File Structures is available in our book collection an online access to it is set as public so you can download it instantly. Our digital library spans in multiple locations, allowing you to get the most less latency time to download any of our books like this one. Merely said, Data Management And File Structures is universally compatible with any devices to read.

### **Find Data Management And File Structures :**

*andrew fletcher of saltoun selected political writings and speeches*

andy thorndike press large print christian fiction

anesoft critical care simulator 2001 cd rom

anger christ comics the angry works of j

animal ark holiday-labrador on the lawn

**andrew jackson a life and times**

*angel in your pocket*

**animal instincts a novel**

**angels along the way my life with help from above**

angry little girls journal keep out

anglo catholic revival some persons pr

**anglo-norman warfare**

angus thongs and full-frontal snogging rack confessions of georgia nicolson

**animal nutrition 6ed**

angloamerican first editions 18261900 east to west

**Data Management And File Structures :**

Microbiology: Laboratory Theory & Application, Brief Access all of the textbook solutions and explanations for Leboffe/Pierce's Microbiology: Laboratory Theory & Application, Brief (3rd Edition). Microbiology Laboratory Theory And Applications Third ... Microbiology Laboratory Theory And Applications Third Edition Data Sheet Answers Pdf. INTRODUCTION Microbiology Laboratory Theory And Applications Third ... Microbiology 3rd Edition Textbook Solutions Access Microbiology 3rd Edition solutions now. Our solutions are written by Chegg experts so you can be assured of the highest quality! Microbiology - 3rd Edition - Solutions and Answers Find step-by-step solutions and answers to Microbiology - 9781617314773, as well as thousands of textbooks so you can move forward with confidence. Microbiology: Laboratory Theory & Application, Brief, 3e Data sheets provide students room to record their data and answer critical thinking questions. ... A version of this manual is available with microbiology lab ... Microbiology: Laboratory Theory and Application This third edition in many ways is like another first edition. We have added 20 new exercises, incorporated four more exercises from MLTA Brief Edition, ... Microbiology by Leboffe, Burton Data Sheets provide students room to record their data and answer critical thinking questions. Microbiology: Laboratory Theory & Application, ... Microbiology: Laboratory Theory and Application, Brief Microbiology: Laboratory Theory and Application, Brief ; SKU: MBS\_1948431\_dg ; Edition: 3RD 16 ; Publisher: MORTON E. laboratory-exercises-in-microbiology-book.pdf Considering the above parameters, the purpose of this laboratory manual is to guide students through a process of development of microbiological technique,. Mass Choir Project - He Reigns Forever | PDF Mass Choir Project - He Reigns Forever - Free download as PDF File (.pdf), Text File (.txt) or read online for free. Mass Choir Project - He Reigns Forever. He Reigns Forever - Ricky Dillard SHEET MUSIC - SAT Now Available from Norwood Music Publishing Key ... He Reigns Forever Sheet Music. \$4.95. In stock. SKU. SM-DL-7776. Skip to the end ... He Reigns Forever (Orchestration) This Orchestration for "He Reigns Forever" from the album "Be Glad" provides sheet music for each of the instruments heard on the song (except for the piano ... He Reigns Forever | PDF He Reigns Forever. Brooklyn Tabernacle Choir. [Verse:] Sing praises to the King for He is the King of Kings. x2. [Chorus:] Give Him glory for He's the King. He Reigns Forever (Brooklyn Tabernacle Choir) Midi Instrumental Gospel Performance Tracks, Midi Files, Click Tracks and Play-Along Tracks and more!! He Reigns Forever Buy He Reigns Forever Sheet Music. Composed by Marshal Carpenter. Arranged by Carol Cymbala. For SATB Sheet Music. Published by Brooklyn Tabernacle. He Reigns Forever (We Sing Praises) Verse We sing praises to the King for He is the King of Kings. Sop / ALTO AND TENOR. We sing praises to the King (Hallelujah) for He is the King of Kings. (All ... He Reigns Forever. Good Choir Song. Sheet Music ... - YouTube He Reigns Forever (SATB ) by CARPENTER, M Buy He Reigns Forever (SATB ) by CARPENTER, M / at jwpepper.com. Choral Sheet Music. He Reigns Forever Brooklyn Tabernacle Choir Need a last-minute song? Get music in 3-4 business days. Praise & worship; Vocal solo arrangements; Choir sing-along tracks. Get Details. Join Our Music ... Bean

Thirteen: McElligott, Matthew Wonderful book to introduce math concepts for early and intermediate learners. Explores fair shares, number sense, composing/decomposing numbers, division and ... Bean Thirteen by Matthew McElligott, Hardcover The third adventure in the New York Times best-selling Percy Jackson and the Olympians series—now in paperback. When the goddess Artemis goes missing, she is ... Bean Thirteen - By Matthew Mcelligott (hardcover) A funny story about beans, that may secretly be about . . . math! Sometimes you can divide, but you just can't conquer (the bean thirteen, that is). Buy Bean Thirteen in Bulk | Class Set | 9780399245350 By Matthew McElligott, Matthew McElligott, ISBN: 9780399245350, Hardcover. Bulk books at wholesale prices. Min. 25 copies. Free Shipping & Price Match Guar. Bean Thirteen - McElligott, Matthew: 9780399245350 Bean Thirteen by McElligott, Matthew - ISBN 10: 0399245359 - ISBN 13: 9780399245350 - G.P. Putnam's Sons Books for Young Readers - 2007 - Hardcover. Bean Thirteen About the Book. Bean Thirteen. 2007, G. P. Putnam's Sons ISBN Hardcover: 0399245359. Recommend ages: 4 to 8. Also available as an audiobook ... Bean Thirteen (Hardcover) Bean Thirteen (Hardcover). (4.0)4 stars out of 1 review1 review. USDNow \$13.54. You save \$2.45. You save\$2.45. was \$15.99\$15.99. Price when purchased online. Bean Thirteen | Wonder Book Two bugs, Ralph and Flora, try to divide thirteen beans so that the unlucky thirteenth bean disappears, but they soon discover that the math is not so easy. Bean Thirteen by Matthew McElligott GRADES 2 - 5 • Hardcover Book. \$14.24. \$18.99 25% off. ADD TO CART. SAVE TO WISHLIST. First Illustrated Math Dictionary. GRADES ... Bean Thirteen by Matthew McElligott Hardcover \$16.99. May 10, 2007 | ISBN 9780399245350 | 5-8 years. Add to Cart. Buy from Other Retailers: · Audiobook Download. Jul 10, 2018 | ISBN 9780525592938 | ...