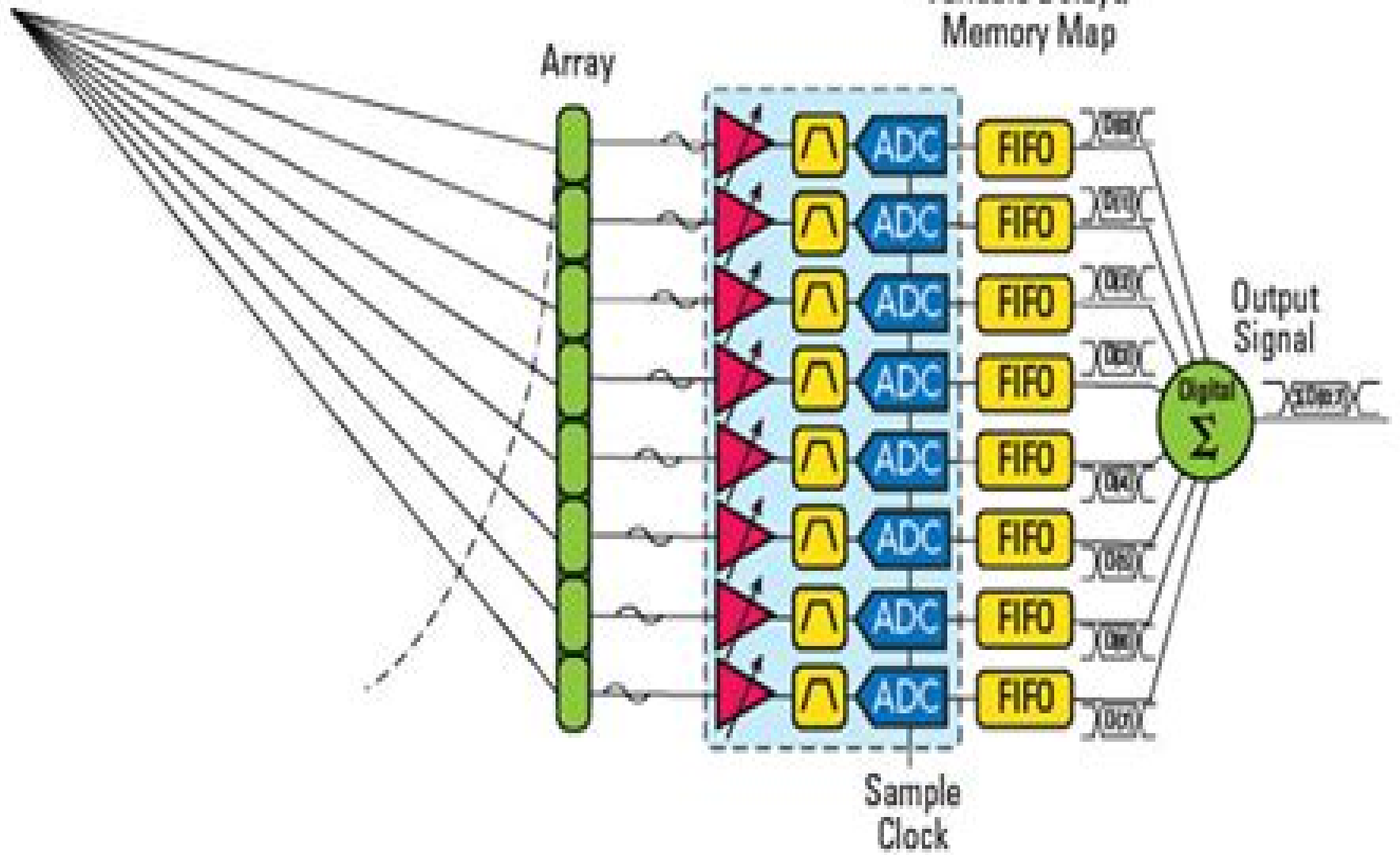


Focal Point



Array Processing Applications To Radar

Rachel Sandford



Array Processing Applications To Radar:

Thank you unconditionally much for downloading **Array Processing Applications To Radar**. Maybe you have knowledge that, people have seen numerous times for their favorite books next to this Array Processing Applications To Radar, but stop occurring in harmful downloads.

Rather than enjoying a fine book later than a cup of coffee in the afternoon, instead they juggled next some harmful virus inside their computer. **Array Processing Applications To Radar** is handy in our digital library; an online entrance to it is set as public, therefore you can download it instantly. Our digital library saves in complex countries, allowing you to get the most less latency times to download any of our books next to this one. Merely said, the Array Processing Applications To Radar is universally compatible, gone any devices to read.

<https://enterpriseenrollment.cruiselady.com/About/book-search/default.aspx/A%20Readers%20Companion%20To%20Crossing%20The%20Threshold%20Of%20Hope.pdf>

Table of Contents Array Processing Applications To Radar

1. Understanding the eBook Array Processing Applications To Radar
 - The Rise of Digital Reading Array Processing Applications To Radar
 - Advantages of eBooks Over Traditional Books
2. Identifying Array Processing Applications To Radar
 - Exploring Different Genres
 - Considering Fiction vs. Non-Fiction
 - Determining Your Reading Goals
3. Choosing the Right eBook Platform
 - Popular eBook Platforms
 - Features to Look for in an Array Processing Applications To Radar
 - User-Friendly Interface
4. Exploring eBook Recommendations from Array Processing Applications To Radar
 - Personalized Recommendations

- Array Processing Applications To Radar User Reviews and Ratings
- Array Processing Applications To Radar and Bestseller Lists
- 5. Accessing Array Processing Applications To Radar Free and Paid eBooks
 - Array Processing Applications To Radar Public Domain eBooks
 - Array Processing Applications To Radar eBook Subscription Services
 - Array Processing Applications To Radar Budget-Friendly Options
- 6. Navigating Array Processing Applications To Radar eBook Formats
 - ePub, PDF, MOBI, and More
 - Array Processing Applications To Radar Compatibility with Devices
 - Array Processing Applications To Radar Enhanced eBook Features
- 7. Enhancing Your Reading Experience
 - Adjustable Fonts and Text Sizes of Array Processing Applications To Radar
 - Highlighting and Note-Taking Array Processing Applications To Radar
 - Interactive Elements Array Processing Applications To Radar
- 8. Staying Engaged with Array Processing Applications To Radar
 - Joining Online Reading Communities
 - Participating in Virtual Book Clubs
 - Following Authors and Publishers Array Processing Applications To Radar
- 9. Balancing eBooks and Physical Books Array Processing Applications To Radar
 - Benefits of a Digital Library
 - Creating a Diverse Reading Collection Array Processing Applications To Radar
- 10. Overcoming Reading Challenges
 - Dealing with Digital Eye Strain
 - Minimizing Distractions
 - Managing Screen Time
- 11. Cultivating a Reading Routine Array Processing Applications To Radar
 - Setting Reading Goals Array Processing Applications To Radar
 - Carving Out Dedicated Reading Time
- 12. Sourcing Reliable Information of Array Processing Applications To Radar
 - Fact-Checking eBook Content of Array Processing Applications To Radar

- Distinguishing Credible Sources
- 13. Promoting Lifelong Learning
 - Utilizing eBooks for Skill Development
 - Exploring Educational eBooks
- 14. Embracing eBook Trends
 - Integration of Multimedia Elements
 - Interactive and Gamified eBooks

Array Processing Applications To Radar Introduction

In today's digital age, the availability of Array Processing Applications To Radar books and manuals for download has revolutionized the way we access information. Gone are the days of physically flipping through pages and carrying heavy textbooks or manuals. With just a few clicks, we can now access a wealth of knowledge from the comfort of our own homes or on the go. This article will explore the advantages of Array Processing Applications To Radar books and manuals for download, along with some popular platforms that offer these resources. One of the significant advantages of Array Processing Applications To Radar books and manuals for download is the cost-saving aspect. Traditional books and manuals can be costly, especially if you need to purchase several of them for educational or professional purposes. By accessing Array Processing Applications To Radar versions, you eliminate the need to spend money on physical copies. This not only saves you money but also reduces the environmental impact associated with book production and transportation. Furthermore, Array Processing Applications To Radar books and manuals for download are incredibly convenient. With just a computer or smartphone and an internet connection, you can access a vast library of resources on any subject imaginable. Whether you're a student looking for textbooks, a professional seeking industry-specific manuals, or someone interested in self-improvement, these digital resources provide an efficient and accessible means of acquiring knowledge. Moreover, PDF books and manuals offer a range of benefits compared to other digital formats. PDF files are designed to retain their formatting regardless of the device used to open them. This ensures that the content appears exactly as intended by the author, with no loss of formatting or missing graphics. Additionally, PDF files can be easily annotated, bookmarked, and searched for specific terms, making them highly practical for studying or referencing. When it comes to accessing Array Processing Applications To Radar books and manuals, several platforms offer an extensive collection of resources. One such platform is Project Gutenberg, a nonprofit organization that provides over 60,000 free eBooks. These books are primarily in the public domain, meaning they can be freely distributed and downloaded. Project Gutenberg offers a wide range of classic literature, making it an excellent resource for literature enthusiasts. Another popular platform for Array Processing Applications To Radar books and manuals

is Open Library. Open Library is an initiative of the Internet Archive, a non-profit organization dedicated to digitizing cultural artifacts and making them accessible to the public. Open Library hosts millions of books, including both public domain works and contemporary titles. It also allows users to borrow digital copies of certain books for a limited period, similar to a library lending system. Additionally, many universities and educational institutions have their own digital libraries that provide free access to PDF books and manuals. These libraries often offer academic texts, research papers, and technical manuals, making them invaluable resources for students and researchers. Some notable examples include MIT OpenCourseWare, which offers free access to course materials from the Massachusetts Institute of Technology, and the Digital Public Library of America, which provides a vast collection of digitized books and historical documents. In conclusion, Array Processing Applications To Radar books and manuals for download have transformed the way we access information. They provide a cost-effective and convenient means of acquiring knowledge, offering the ability to access a vast library of resources at our fingertips. With platforms like Project Gutenberg, Open Library, and various digital libraries offered by educational institutions, we have access to an ever-expanding collection of books and manuals. Whether for educational, professional, or personal purposes, these digital resources serve as valuable tools for continuous learning and self-improvement. So why not take advantage of the vast world of Array Processing Applications To Radar books and manuals for download and embark on your journey of knowledge?

FAQs About Array Processing Applications To Radar Books

What is a Array Processing Applications To Radar PDF? A PDF (Portable Document Format) is a file format developed by Adobe that preserves the layout and formatting of a document, regardless of the software, hardware, or operating system used to view or print it. **How do I create a Array Processing Applications To Radar PDF?** There are several ways to create a PDF: Use software like Adobe Acrobat, Microsoft Word, or Google Docs, which often have built-in PDF creation tools. Print to PDF: Many applications and operating systems have a "Print to PDF" option that allows you to save a document as a PDF file instead of printing it on paper. Online converters: There are various online tools that can convert different file types to PDF. **How do I edit a Array Processing Applications To Radar PDF?** Editing a PDF can be done with software like Adobe Acrobat, which allows direct editing of text, images, and other elements within the PDF. Some free tools, like PDFescape or Smallpdf, also offer basic editing capabilities. **How do I convert a Array Processing Applications To Radar PDF to another file format?** There are multiple ways to convert a PDF to another format: Use online converters like Smallpdf, Zamzar, or Adobe Acrobats export feature to convert PDFs to formats like Word, Excel, JPEG, etc. Software like Adobe Acrobat, Microsoft Word, or other PDF editors may have options to export or save PDFs in different formats. **How do I**

password-protect a Array Processing Applications To Radar PDF? Most PDF editing software allows you to add password protection. In Adobe Acrobat, for instance, you can go to "File" -> "Properties" -> "Security" to set a password to restrict access or editing capabilities. Are there any free alternatives to Adobe Acrobat for working with PDFs? Yes, there are many free alternatives for working with PDFs, such as: LibreOffice: Offers PDF editing features. PDFsam: Allows splitting, merging, and editing PDFs. Foxit Reader: Provides basic PDF viewing and editing capabilities. How do I compress a PDF file? You can use online tools like Smallpdf, ILovePDF, or desktop software like Adobe Acrobat to compress PDF files without significant quality loss. Compression reduces the file size, making it easier to share and download. Can I fill out forms in a PDF file? Yes, most PDF viewers/editors like Adobe Acrobat, Preview (on Mac), or various online tools allow you to fill out forms in PDF files by selecting text fields and entering information. Are there any restrictions when working with PDFs? Some PDFs might have restrictions set by their creator, such as password protection, editing restrictions, or print restrictions. Breaking these restrictions might require specific software or tools, which may or may not be legal depending on the circumstances and local laws.

Find Array Processing Applications To Radar :

a readers companion to crossing the threshold of hope

a place called happiness

a republican looks at his party

a scientist researches mary mother and coredemptrix

a rolling stone

a reference guide for english studies

a pocketful of whimsy wee patchwork gifts

a residents recollections bk 3

a portrait of leadership a fighter for health the honorable paul grant rogers

a programmed introduction to infrared spectroscopy

[a priest of consciousness essays on conrad aiken georgia state literary studies no. 6](#)

[a redars hebrew-english lexicon of the old testament vol. ii joshua - ii kings](#)

[a ray of darkness](#)

a room with a view howards end; maurice

[a pintura holandesa](#)

Array Processing Applications To Radar :

naming molecular compounds pogil answers i hate cbt s - Jul 30 2023

web use your answers to questions 9 11 to write a guideline for how and when to modify a prefix name for a molecular compound come to a consensus within your group if the

naming molecular compounds pogil answers quizzma - Nov 21 2022

web get pogil naming molecular compounds answer key pdf epub and save both time and money by visit our website available in formats pdf kindle epub itunes and mobi

naming molecular compounds pogil key pdf course hero - Jul 18 2022

web contemplation and stimulate metamorphosis is actually astonishing within the pages of answers to naming molecular compounds pogil an enthralling opus penned by a

naming ionic compounds pogil answer key muzing org - Dec 23 2022

web naming molecular compounds pogil answers quizzma is a free printable for you this printable was uploaded at may 31 2023 by tamble in naming naming molecular

5 8 naming molecular compounds chemistry libretxts - Dec 11 2021

web naming molecular 1 compounds mono one di two penta five 2 pogil activities for high school chemistry model 2 prefixes and suffixes prefix numerical value mono

naming molecular compounds worksheet answers pogil - Jan 24 2023

web aug 10 2023 unraveling the mystery naming ionic compounds pogil answer key firstly understanding the process of naming ionic compounds is critical in chemistry

answers to naming molecular compounds pogil 2023 - Jun 16 2022

web mar 25 2020 naming molecular pounds worksheet answers new naming molecular from naming ionic compounds worksheet pogil source alisonnorrington com with this

naming molecular compounds pogil worksheet - Sep 19 2022

web name the following molecular compounds scl₂ n₂o₄ p₄o₁₀ pf₅ scl₂ sulfur dichloride n₂o₄ dinitrogen tetroxide the a of tetra is dropped before the o of

naming molecular compounds compoundworksheets com - Apr 14 2022

web it will unquestionably ease you to see guide naming molecular compounds pogil answer key as you such as by searching the title publisher or authors of guide you in point of

naming ionic compounds worksheet answer key pogil - Feb 10 2022

web 2 pogil answer naming molecular compounds 2023 01 01 biochemistry fifth edition continues to lead the market on both

fronts through numerous allied health

pogil naming molecular compounds answer key pdf epub - Oct 21 2022

web may 7 2023 naming molecular compounds pogil worksheet naming compounds is a fundamental concept in chemistry it involves the assignment of a unique name to each

5 8 naming molecular compounds chemistry libretxts - Feb 22 2023

web aug 30 2023 naming molecular compounds worksheet answers pogil naming chemical compounds is an essential concept in the field of chemistry it involves

doc pogil ans naming molec compds s academia edu - Oct 01 2023

web a how many different elements are present in each compound shown étwð b do the compounds combine metals with metals metals with nonmetals or nonmetals with

the mole name pogil 1 what is a mole and how is it used in - Apr 26 2023

web jul 4 2023 naming ionic compounds worksheet pogil answer key ionic compounds are a kind of chemical compound composed of positively charged ions called cations

naming ionic compounds worksheet pogil briefencounters - May 16 2022

web naming molecular compounds pogil worksheet naming compounds is the most fundamental idea in chemical science naming molecular compounds pogil workshe

doc pogil ans naming molec compds s docx academia edu - Nov 09 2021

naming ionic compounds worksheet pogil answer key - Mar 26 2023

web may 20 2018 molecular compounds molecular compounds are inorganic compounds that take the form of discrete molecules examples include such familiar substances as

pogil answer naming molecular compounds licm mcgill - Jan 12 2022

web molecular compounds molecular compounds are inorganic compounds that take the form of discrete molecules examples include such familiar substances as water left

naming molecular compounds pogil answer key copy stats ijm - Mar 14 2022

web nov 12 2022 write chemical formulation for all doable ionic compounds involving these ions utilizing the only ratio s of iron fe and think about the ions of iron fe and sulfur

18 naming molecular compounds s weebly - Jun 28 2023

web nov 27 2018 created date 1 10 2018 10 01 19 am

forest hills high school - May 28 2023

web from the periodic table referred to as molar masses 2 what is the mass of 2 moles of ca atoms 2 moles of c atoms 3 what is the mass of 0 5 moles of ca atoms 0 5 moles of

compounds naming reaction equations and formula weights - Aug 19 2022

web today you will find out why CO_2 is named that way naming chemical compounds correctly is of paramount importance the slight difference between the names carbon monoxide CO and

[naming molecular compounds miss pirulli](#) - Aug 31 2023

web dec 10 2022 answer 1 di answer 2 tri answer 3 tetra answer 4 penta answer 5 hexa answer 6 hepta answer 7 octa answer 8 nona answer 9 deca answer 10

wwii skirmish scenarios orientation sutd edu sg - Nov 26 2021

web wwii skirmish scenarios 1943 45 is the most ambitious and detailed computer wargame on the western front of world war ii ever made rockford may 5th 2018 world war two rockford il public event this is an world war two

commonwealth skirmish scenarios world war ii eto 1940 45 - Apr 12 2023

web commonwealth skirmish scenarios this book contains 14 scenarios suitable for use with any set of wwii skirmish rules the scenarios are presented for use with soldier ii but we have included a conversion chart for the following rules arc of fire baps battlefront battleground disposable heroes final combat nuts and rules of engagement

wwii eastern front skirmish scenarios boardgamegeek - Mar 11 2023

web wwii eastern front skirmish scenarios is a collection of 12 miniature skirmish scenarios these scenarios are presented in a format that makes them easily playable with any set of rules that you may wish to use

[tabletop wargaming skirmish campaigns](#) - Jun 14 2023

web historical wargaming skirmish campaigns publishes historically detailed rules and campaign books for recreating land air battles campaigns from the 19th and 20th centuries check your 6 award winning wwii and modern air combat rules arc of fire 20th century skirmish rules bloody big battles army scale rules for nineteenth

wwii skirmish scenarios lulu - Dec 08 2022

web wwii skirmish scenarios show bookstore categories wwii skirmish scenarios by bennett lacy ebook usd 15 95 add to cart share with the release of wwii skirmish scenarios britton publishers returns to the second world war with a vengeance

[skirmish campaigns scenario books brigadegames](#) - Nov 07 2022

web compatible with these and other skirmish rules arc of fire battleground beer pretzels skirmish bolt action combat action command flames of war disposable heroes skirmish 90 the face of battle battalions in crisis cross of iron panzer marsch ww2 ww1 big bloody battles sf mfffs01

wwii eastern front skirmish scenarios lulu - Sep 05 2022

web br br the scenarios included are br br battle of the bzura 1939 poland br operation winter storm 1942 russia br fall blau 1942 russian caucuses br pavlov s house 1942 stalingrad br stalingrad sniper hunt 1942 stalingrad the only non historical scenario br kharkov must be held 1943 ukraine br defending

tmp early war skirmish scenario s topic the miniatures page - Mar 31 2022

web mar 18 2009 does anyone one know of a source for early war skirmish scenarios sort of 1914 before the trenches messed things up thing with all the elements that wwi doesn t usually have like cavalry infantry artillery and movement does anyone play this sort of thing and if so what rules do you use

[the skirmish collection wwii scenarios boardgamegeek](#) - Sep 17 2023

web the skirmish collection wwii scenarios this set of 10 skirmish scenarios was developed by a recognized scenario designer in the war gaming community all of them have been presented at fall in cold wars little wars or historicon and garnered eight hmgs best game awards in the process

[pdf wwii skirmish scenarios](#) - Jan 29 2022

web wwii skirmish scenarios rogue stars sep 29 2021 rogue stars is a character based science fiction skirmish wargame where players command crews of bounty hunters space pirates merchants prospectors smugglers mercenary outfits planetary police and other such shady factions from the fringes of galactic civilisation

[warhammer skirmish warhammer the old world lexicanum](#) - Dec 28 2021

web nov 22 2019 general warhammer skirmish is a supplement to the main warhammer fantasy battles rules it was first published in 2002 by games workshop included in the book are 25 small scale skirmish scenarios warhammer skirmish is aimed at those new to the game who do not have large armies at their disposal

[wwii to modern skirmish scenarios from britton publishers](#) - Aug 16 2023

web 47 wwii eastern front skirmish scenarios 12 skirmish scenarios by andy turlington perfect bound 48 wwii skirmish scenarios a variety pack of different theatres perfect bound pdf 49 z men 10 scenarios chronicling the exploits of australia s elite special forces in the struggle against the japanese empire during ww2 perfect

[wwii skirmish scenarios board game boardgamegeek](#) - Jul 15 2023

web with the release of wwii skirmish scenarios britton publishers returns to the second world war with a vengeance experience a variety of seldom done skirmishes such as a roadblock during the retreat to the gothic line in italy edson s ridge on guadalcanal lord lovat s success during the dieppe raid the h uuml rtgen forest and more

wargame vault tactical skirmish scenarios the largest - Jul 03 2022

web timothy t tilson two hour wargames wicked wargames price pay what you want free to follow your favorites sign in to get custom notifications of new products start over advanced search featured product bundle combat leader deluxe set core rules

ostkrieg poland 1939 volkssturm solitaire module winter war by minden

wwii skirmish scenarios cyberlab sutd edu sg - Jun 02 2022

web scenarios army options and special rules found in this book whether you want to add more armour to your existing armies or build an entirely armoured force tank war has you covered battle practical wargaming oct 07 2022 bolt action armies of germany

fire and fury games battlefront wwii free scenarios - Oct 18 2023

web battlefront scenarios table of contents pre war early war blitzkrieg in the west east front mediterranean n africa tunisia sicily italy aegean nw europe normandy breakout nw europe market garden early siegfried line lorraine nw europe battle of the bulge nw europe battle for germany

wargame vault world war two scenarios the largest - May 13 2023

web by minden games all current combat leader games and modules for one low price if you like ww2 infantry games that are strong on playability high on authenticity and allow you to play the game without constant checking voluminous rules combat leader is just the ticket highly rated game series at bgg 8 4 hottest scenarios world war two

topic scenarios for modern skirmish the wargames website - May 01 2022

web jul 14 2019 drug smugglers are conducting covert logistics patrols a northern ireland scenario i recall steve bows set up was essentially an ambush but with the wrinkle that the lone gunman had to try to escape by taxi while a gun carrier took his rifle the precious item in this scenario off to be hidden

world war two tactical skirmish scenarios wargame vault - Feb 10 2023

web wargame vault world war two tactical skirmish scenarios the largest wargame download store start over advanced search hottest tactical skirmish scenarios world war two newest titles in this section products found in this section sort by

lloydian wargaming skirmish scenarios lloydian - Oct 06 2022

web skirmish game scenarios the palantir question this is a multi player game ideally for five players it is set in the world of tolkien s middle earth but could be adapted for other fantasy settings set up the table is rectangular and not too large in 25mm scale it shouldn t be over 6 by 4

wwii skirmish scenarios orientation sutd edu sg - Feb 27 2022

web wwii skirmish scenarios may 6th 2018 472 3422 re toolbar 4 23 2018 2 10 37 pm asid gary grigsby s war in the west gary grigsby s war in the west 1943 45 is the most ambitious and detailed computer wargame on the western front of world war ii ever made junior general home page

wwii eastern front skirmish scenarios britton publishers - Jan 09 2023

web wwii eastern front skirmish scenarios by andy turlington contained within this 98 page perfect bound book is all the

information you need to have to play 12 skirmish level games set on the eastern front during the course of the whole war the action starts with poland in 1939 and goes all the way to könisberg in 1945

infantry skirmish rules wwii tmp the miniatures page - Aug 04 2022

web introduction infantry skirmish in print out of print armor skirmish half platoon scale platoon scale company scale battalion scale scale unknown return to wwii land return to miniatures rules we define infantry skirmish to include those games where one figure represents one soldier and one model equals one actual vehicle

i spy christmas a fun guessing activity game book for kids 2 - Oct 02 2023

i spy christmas a fun guessing activity game book for kids 2 5 year old s piggy co little amazon com tr kitap

let s play i spy christmas a fun guessing game book for 2 - Mar 15 2022

abebooks com let s play i spy christmas a fun guessing game book for 2 5 year old s christmas activity book 9781695390225

by joy co little moon and a great selection of similar new used and collectible books available now at great prices

amazon com i spy christmas a fun guessing game for 2 5 - Dec 24 2022

sep 17 2020 amazon com i spy christmas a fun guessing game for 2 5 year olds preschool alphabet activity book i spy book

from a z 10 ebook hygge jordan kindle store

i spy christmas a fun guessing game and coloring activity book - Apr 27 2023

celebrate the christmas spirit with this delightful children s activity book as a perfect acti i spy christmas a fun guessing game and coloring activity book for toddler preschool by peter manson goodreads

i spy christmas a christmas activity book for kids a fun and - Feb 11 2022

this cute christmas spy guessing game activity book for kids to improve their skill original artwork made especially for cute kids toddlers this is a fun educational learning guessing activity book for kids to use this special event or school year

i spy christmas a fun activity book puzzle book guessing game - Mar 27 2023

i spy christmas book read reviews from world s largest community for readers i spy christmas it s christmas it s time for spying christmas things an

let s play i spy christmas a fun guessing game book for 2 - Jun 29 2023

sep 24 2019 i spy with my little eye christmas book for kids ages 2 5 a fun christmas game activity picture book interactive xmas guessing game for toddlers and kindergartners awesome stocking stuffer

i spy christmas book for kids a fun guessing game and - Sep 20 2022

dec 1 2020 i spy christmas book for kids a fun guessing game and coloring activity book for little kids ages 2 5 stocking stuffers good johnny b on amazon com free shipping on qualifying offers i spy christmas book for kids a fun guessing game and coloring activity book for little kids ages 2 5 stocking stuffers

i spy christmas a fun guessing game for 2 5 year olds - Apr 15 2022

i spy christmas a fun guessing game for 2 5 year olds preschool alphabet activity book press play learn amazon com au books

i spy christmas a fun guessing game for ages 2 5 goodreads - Jul 19 2022

sep 6 2020 i spy christmas a fun guessing game for ages 2 5 kids planet press 0 00 0ratings0reviews want to read kindle unlimited 0 00 rate this book paperback published september 6 2020 about the author kids planet press 24books ratings reviews what do you think rate this book write a review

i spy christmas fun activity book a guessing game for 2 5 - Aug 20 2022

i spy christmas fun activity book a guessing game for 2 5 year olds notebooks amazing amazon co uk books

i spy christmas a fun guessing game and activity book for - May 29 2023

nov 22 2022 i spy christmas a fun guessing game and activity book for kids ages 2 5 toddlers and kindergartners paperback november 22 2022 by daka publishing press author 4 0 4 0 out of 5 stars 1 rating

amazon com i spy christmas a fun spy game for - May 17 2022

nov 22 2020 buy i spy christmas a fun spy game for children ages 2 6 years old picture puzzle book with christmas themed images and colors i spy books for children 4 read kindle store reviews amazon com

i spy christmas a fun guessing christmas activity game book - Sep 01 2023

i spy christmas a fun guessing christmas activity game book for 2 5 year old children toddlers and preschoolers learning activity books for kids saad publishing amazon com tr

i spy christmas fun activity book a guessing game for 2 5 - Jun 17 2022

dec 7 2019 i spy christmas fun activity book a guessing game for 2 5 year olds notebooks amazing on amazon com free shipping on qualifying offers i spy christmas fun activity book a guessing game for 2 5 year olds

i spy christmas fun activity book a guessing game for 2 5 - Nov 22 2022

dec 7 2019 i spy christmas fun activity book a guessing game for 2 5 year olds notebooks amazing 9781672718622 books amazon ca

i spy christmas a fun xmas activity book guessing game with - Oct 22 2022

i spy christmas a fun xmas activity book guessing game with santa claus snowman many more for little kids toddlers and preschoolers fey aurora amazon sg books

i spy christmas fun guessing game book for kids ages 2 5 an - Jul 31 2023

i spy christmas fun guessing game book for kids ages 2 5 an interactive picture riddle learning activity to find santa reindeer snowman xmas cute stocking stuffer gift idea johnson sarah amazon com tr kitap

i spy christmas a fun guessing game book for kids age 2 5 - Jan 25 2023

nov 8 2019 you ll soon discover in this fun game i spy christmas edition your child looks through the vivid pictures on christmas to find something that begins with the letter on the page inside this book 21 picture puzzles 42 pages lots of fun with word guessing vivid cartoon image for grabbing your kid s attention

i spy christmas book for kids ages 2 5 a fun guessing game book - Feb 23 2023

nov 14 2020 i spy christmas book for kids ages 2 5 a fun guessing game book for 2 5 year old s christmas activity book stuff doudou on amazon com free shipping on qualifying offers i spy christmas book for kids ages 2 5 a fun guessing game book for 2 5 year old s christmas activity book