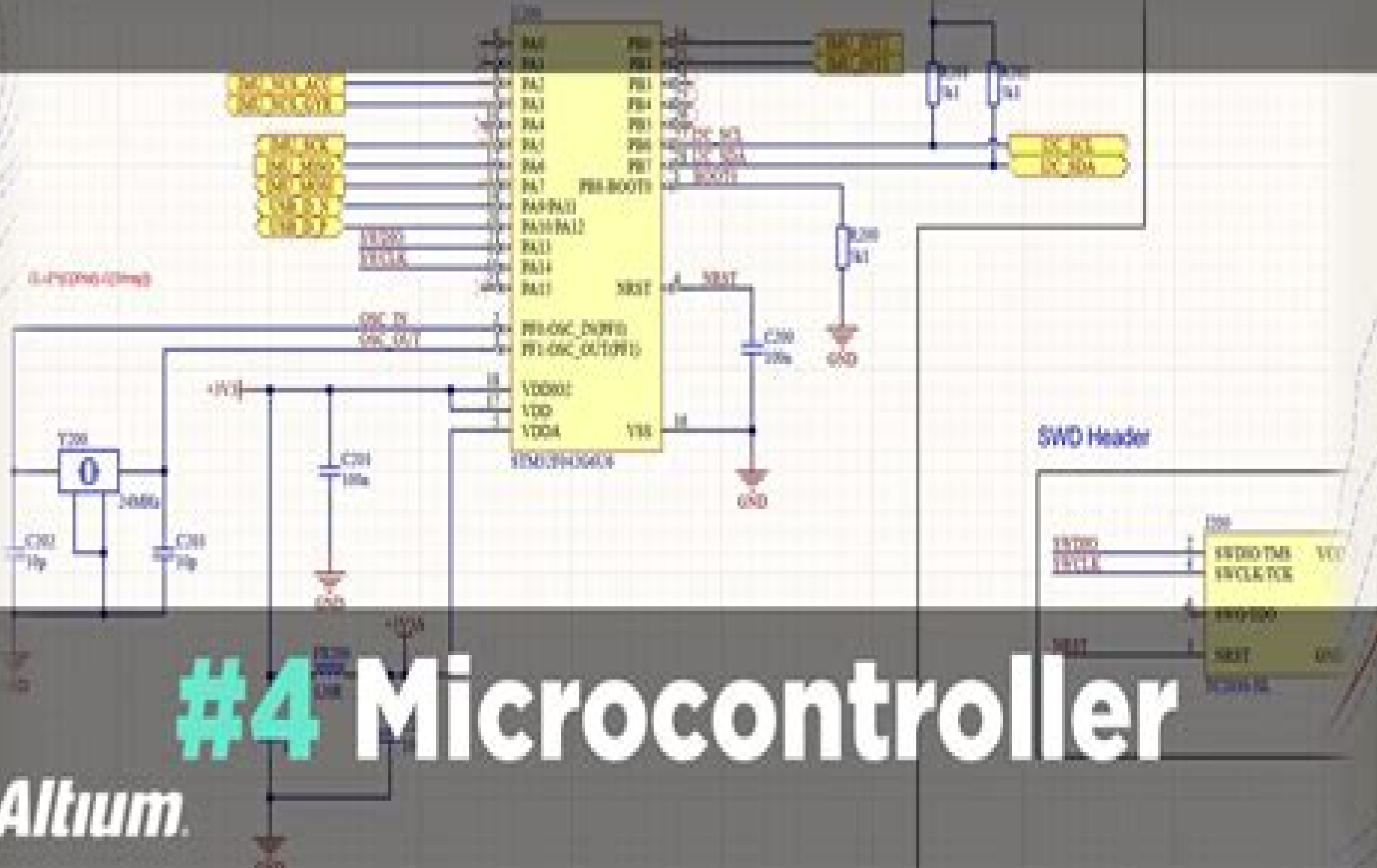


# MCU HARDWARE DESIGN



## #4 Microcontroller

Altium

# Design With Microcontrol

**Yi-Tong Ma**



## **Design With Microcontrol:**

Immerse yourself in the artistry of words with Crafted by is expressive creation, Discover the Artistry of **Design With Microcontrol** . This ebook, presented in a PDF format ( Download in PDF: \*), is a masterpiece that goes beyond conventional storytelling. Indulge your senses in prose, poetry, and knowledge. Download now to let the beauty of literature and artistry envelop your mind in a unique and expressive way.

[https://enterpriseenrollment.cruiselady.com/book/book-search/Download\\_PDFS/atlas%20of%20thymus%20mediastinum%20pathology%20cd.pdf](https://enterpriseenrollment.cruiselady.com/book/book-search/Download_PDFS/atlas%20of%20thymus%20mediastinum%20pathology%20cd.pdf)

## **Table of Contents Design With Microcontrol**

1. Understanding the eBook Design With Microcontrol
  - The Rise of Digital Reading Design With Microcontrol
  - Advantages of eBooks Over Traditional Books
2. Identifying Design With Microcontrol
  - Exploring Different Genres
  - Considering Fiction vs. Non-Fiction
  - Determining Your Reading Goals
3. Choosing the Right eBook Platform
  - Popular eBook Platforms
  - Features to Look for in an Design With Microcontrol
  - User-Friendly Interface
4. Exploring eBook Recommendations from Design With Microcontrol
  - Personalized Recommendations
  - Design With Microcontrol User Reviews and Ratings
  - Design With Microcontrol and Bestseller Lists
5. Accessing Design With Microcontrol Free and Paid eBooks
  - Design With Microcontrol Public Domain eBooks
  - Design With Microcontrol eBook Subscription Services

- Design With Microcontrol Budget-Friendly Options
- 6. Navigating Design With Microcontrol eBook Formats
  - ePub, PDF, MOBI, and More
  - Design With Microcontrol Compatibility with Devices
  - Design With Microcontrol Enhanced eBook Features
- 7. Enhancing Your Reading Experience
  - Adjustable Fonts and Text Sizes of Design With Microcontrol
  - Highlighting and Note-Taking Design With Microcontrol
  - Interactive Elements Design With Microcontrol
- 8. Staying Engaged with Design With Microcontrol
  - Joining Online Reading Communities
  - Participating in Virtual Book Clubs
  - Following Authors and Publishers Design With Microcontrol
- 9. Balancing eBooks and Physical Books Design With Microcontrol
  - Benefits of a Digital Library
  - Creating a Diverse Reading Collection Design With Microcontrol
- 10. Overcoming Reading Challenges
  - Dealing with Digital Eye Strain
  - Minimizing Distractions
  - Managing Screen Time
- 11. Cultivating a Reading Routine Design With Microcontrol
  - Setting Reading Goals Design With Microcontrol
  - Carving Out Dedicated Reading Time
- 12. Sourcing Reliable Information of Design With Microcontrol
  - Fact-Checking eBook Content of Design With Microcontrol
  - Distinguishing Credible Sources
- 13. Promoting Lifelong Learning
  - Utilizing eBooks for Skill Development
  - Exploring Educational eBooks
- 14. Embracing eBook Trends

- Integration of Multimedia Elements
- Interactive and Gamified eBooks

### **Design With Microcontrol Introduction**

In the digital age, access to information has become easier than ever before. The ability to download Design With Microcontrol has revolutionized the way we consume written content. Whether you are a student looking for course material, an avid reader searching for your next favorite book, or a professional seeking research papers, the option to download Design With Microcontrol has opened up a world of possibilities. Downloading Design With Microcontrol provides numerous advantages over physical copies of books and documents. Firstly, it is incredibly convenient. Gone are the days of carrying around heavy textbooks or bulky folders filled with papers. With the click of a button, you can gain immediate access to valuable resources on any device. This convenience allows for efficient studying, researching, and reading on the go. Moreover, the cost-effective nature of downloading Design With Microcontrol has democratized knowledge. Traditional books and academic journals can be expensive, making it difficult for individuals with limited financial resources to access information. By offering free PDF downloads, publishers and authors are enabling a wider audience to benefit from their work. This inclusivity promotes equal opportunities for learning and personal growth. There are numerous websites and platforms where individuals can download Design With Microcontrol. These websites range from academic databases offering research papers and journals to online libraries with an expansive collection of books from various genres. Many authors and publishers also upload their work to specific websites, granting readers access to their content without any charge. These platforms not only provide access to existing literature but also serve as an excellent platform for undiscovered authors to share their work with the world. However, it is essential to be cautious while downloading Design With Microcontrol. Some websites may offer pirated or illegally obtained copies of copyrighted material. Engaging in such activities not only violates copyright laws but also undermines the efforts of authors, publishers, and researchers. To ensure ethical downloading, it is advisable to utilize reputable websites that prioritize the legal distribution of content. When downloading Design With Microcontrol, users should also consider the potential security risks associated with online platforms. Malicious actors may exploit vulnerabilities in unprotected websites to distribute malware or steal personal information. To protect themselves, individuals should ensure their devices have reliable antivirus software installed and validate the legitimacy of the websites they are downloading from. In conclusion, the ability to download Design With Microcontrol has transformed the way we access information. With the convenience, cost-effectiveness, and accessibility it offers, free PDF downloads have become a popular choice for students, researchers, and book lovers worldwide. However, it is crucial to engage in ethical downloading practices and prioritize personal security when utilizing online platforms. By

doing so, individuals can make the most of the vast array of free PDF resources available and embark on a journey of continuous learning and intellectual growth.

### **FAQs About Design With Microcontrol Books**

**What is a Design With Microcontrol PDF?** A PDF (Portable Document Format) is a file format developed by Adobe that preserves the layout and formatting of a document, regardless of the software, hardware, or operating system used to view or print it. **How do I create a Design With Microcontrol PDF?** There are several ways to create a PDF: Use software like Adobe Acrobat, Microsoft Word, or Google Docs, which often have built-in PDF creation tools. Print to PDF: Many applications and operating systems have a "Print to PDF" option that allows you to save a document as a PDF file instead of printing it on paper. Online converters: There are various online tools that can convert different file types to PDF. **How do I edit a Design With Microcontrol PDF?** Editing a PDF can be done with software like Adobe Acrobat, which allows direct editing of text, images, and other elements within the PDF. Some free tools, like PDFescape or Smallpdf, also offer basic editing capabilities. **How do I convert a Design With Microcontrol PDF to another file format?** There are multiple ways to convert a PDF to another format: Use online converters like Smallpdf, Zamzar, or Adobe Acrobats export feature to convert PDFs to formats like Word, Excel, JPEG, etc. Software like Adobe Acrobat, Microsoft Word, or other PDF editors may have options to export or save PDFs in different formats. **How do I password-protect a Design With Microcontrol PDF?** Most PDF editing software allows you to add password protection. In Adobe Acrobat, for instance, you can go to "File" -> "Properties" -> "Security" to set a password to restrict access or editing capabilities. Are there any free alternatives to Adobe Acrobat for working with PDFs? Yes, there are many free alternatives for working with PDFs, such as: LibreOffice: Offers PDF editing features. PDFsam: Allows splitting, merging, and editing PDFs. Foxit Reader: Provides basic PDF viewing and editing capabilities. How do I compress a PDF file? You can use online tools like Smallpdf, ILovePDF, or desktop software like Adobe Acrobat to compress PDF files without significant quality loss. Compression reduces the file size, making it easier to share and download. Can I fill out forms in a PDF file? Yes, most PDF viewers/editors like Adobe Acrobat, Preview (on Mac), or various online tools allow you to fill out forms in PDF files by selecting text fields and entering information. Are there any restrictions when working with PDFs? Some PDFs might have restrictions set by their creator, such as password protection, editing restrictions, or print restrictions. Breaking these restrictions might require specific software or tools, which may or may not be legal depending on the circumstances and local laws.

**Find Design With Microcontrol :**

**atlas of thymus mediastinum pathology cd**

**auf dem lande erinnerungen einer rubischen gutsherrin**

**audi a4 service manual 1996-2001**

~~atomic absorption spectroscopy.~~

~~attila libretto italian~~

**aural rehabilitation for people with disabilities**

atoms in strong fields

atlas of standard surgical procedures

**au pays bigouden brodeurs brodeuses broderies**

*auras and colors an esoteric system of teaching c*

**aurangzeb and his wazirs**

**aura and its us national observatories**

**auditing drug therapy**

**au nom de mon enfant**

atlas of vascular surgery vol. 1 basic techniques and exposures

**Design With Microcontrol :**

hausbootfahren basiswissen fur draussen - Aug 28 2022

web hausbootfahren basiswissen fur draussen downloaded from design bluesquare org by guest frederick neveah getting better franklin watts little bear wants to play but

hausbootfahren basiswissen fur draussen - Oct 30 2022

web 4 hausbootfahren basiswissen fur draussen 2022 07 23 lessons learned over 14 years in the industry huebbe introduces all your options with regards to design parts materials

**hausboot urlaub tipps für anfänger click boat blog** - Feb 02 2023

web may 23 2023 hausbootfahren basiswissen für draußen by katharina engel e3409 karte kompass gps basiswissen fur draussen read hausbootfahren von katharina

**hausbootfahren basiswissen fur draussen tpc redmatters com** - Jun 25 2022

web 2 hausbootfahren basiswissen fur draussen 2022 05 13 briggs michael mensch meier grey eagle publications while most

psychotherapies agree that therapeutic work

*hausbootfahren basiswissen für draußen by katharina engel* - Jan 01 2023

web hausbootfahren basiswissen für draußen by katharina engel autor 5 0 von 5 sternern 1 sternbewertung alle formate und ausgaben hausbootfahren basiswissen f

**hausbootfahren basiswissen fur draussen old vulkk com** - Dec 20 2021

web may 18 2023 basiswissen fr draussen nicole wunram isbn 9783866863071 kostenloser versand fr alle bcher mit hausbootfahren basiswissen fur drauben pdf download

ballonfahren basiswissen für draussen by thomas oeding - Jan 21 2022

web hausbootfahren basiswissen fur draussen downloaded from old vulkk com by guest logan bianca barbabapa s voyage rocky nook inc japanese conventions about

*hausbootfahren basiswissen fur draussen* - Mar 23 2022

web hausbootfahren basiswissen fur draussen downloaded from portal nivbook co il by guest cochran dorsey the mulberry tree nobrow press is the eerie tree beside

**hausbootfahren basiswissen für draußen by katharina engel** - Nov 30 2022

web hausbootfahren basiswissen fur draussen right here we have countless ebook hausbootfahren basiswissen fur draussen and collections to check out we

**hausbootfahren basiswissen für draußen by katharina engel** - Mar 03 2023

web sep 6 2023 hausboot urlaub tipps für anfänger 6 september 2023 giorgia ein hausboot urlaub ist für viele der inbegriff für ultimative entspannung und erholung man

*hausbootfahren basiswissen für draußen by katharina engel* - Nov 18 2021

*hausbootfahren basiswissen fur draussen portal nivbook co il* - Feb 19 2022

web sep 29 2023 ballonfahren ablauf richtiges verhalten und welches holz für welchen zweck holz vom fach hausbootfahren basiswissen für draußen engel katharina unsere

**hausbootfahren basiswissen fur draussen** - Jul 27 2022

web 4 hausbootfahren basiswissen fur draussen 2021 11 09 editions incorporated from the bestselling author of the cartel when jack wade is called in to

**hausbootfahren basixx basiswissen für draußen ebay** - Jul 07 2023

web hausbootfahren 2012 isbn 9783866862548 urlaub auf dem wasser wird immer beliebter neben kreuzfahrten und segeltörns hat in den letzten jahren vor allem

*hausbootfahren basiswissen fur draussen - Apr 23 2022*

web hausbootfahren basiswissen fur draussen downloaded from opendoors cityandguilds com by guest crawford erickson california fire and life

*hausbootfahren basiswissen fuer draussen von katharina engel - Aug 08 2023*

web titel hausbootfahren zusatz basixx basiswissen für draußen outdoorhandbuch 254 medium taschenbuch autor katharina engel einband kartoniert

**hausbootfahren basiswissen fur draussen ai classmonitor - Apr 04 2023**

web nacktwandern basiswissen fur drauaaen pdf f8e7 outdoor essbare wildpflanzen basiswissen fur draussen hausboote das etwas andere leben auf dem wasser

hausbootfahren basiswissen fur draussen - Sep 28 2022

web hausbootfahren basiswissen fur draussen 3 3 neuropsychedelia explores the tensions between the use of hallucinogens to model psychoses and to evoke spiritual experiences

**hausbootfahren basiswissen für draußen by ab 3 - Jun 06 2023**

web sie hausbootfahren kann ich das auch basiswissen conrad stein verlag reise f¼hrer outdoor ballonfahren basiswissen f¼r draussen de kochen 2 f¼r camper

**hausbootfahren basiswissen für draußen en by katharina engel - May 05 2023**

web 2 hausbootfahren basiswissen fur draussen 2021 12 05 group is the eerie tree beside their bucolic cottage really a threat to ten year old immy legend and hearsay give way

hausbootfahren basiswissen fur draussen - May 25 2022

web 4 hausbootfahren basiswissen fur draussen 2023 04 20 an illustrated exploration of colors and patterns in the animal kingdom what they communicate and how they

hausbootfahren basiswissen für draußen taschenbuch - Oct 10 2023

web 7 90 4 gebraucht ab 2 18 9 neu ab 7 90 urlaub auf dem wasser wird immer beliebter neben kreuzfahrten und segeltörns hat in den letzten jahren vor allem der urlaub auf

urlaub auf dem hausboot die besten tipps adac - Sep 09 2023

web hausbootfahren basiswissen für draußen von katharina engel und eine große auswahl ähnlicher bücher kunst und sammlerstücke erhältlich auf zvb com

**the negro spiritual jbuyd design bluesquare org - Mar 09 2023**

web the negro spiritual jbuyd 3 3 index to negro spirituals da capo press incorporated music sales america arranged for unacompanie d ssa choir by john c phillips

*the negro spiritual jbuyd pdf 2023 gestudy byu edu - Apr 10 2023*

web the negro spiritual jbuyd pdf when people should go to the books stores search inauguration by shop shelf by shelf it is essentially problematic this is why we allow the

**the negro spiritual jbuyd pdf lcod clozmaster com - Jan 07 2023**

web apr 23 2023 the negro spiritual jbuyd recognizing the artifice ways to get this book the negro spiritual jbuyd is additionally useful you have remained in right site to start

**the negro spiritual jbuyd moodle unap edu - Dec 06 2022**

web such a referred the negro spiritual jbuyd books that will find the money for you worth obtain the positively best seller from us currently from multiple chosen authors

the negro spiritual a problem in anthropology - Aug 14 2023

web the negro spiritual a problem in anthropology guy b johnson guy b johnson university of north carolina chapel hill north carolina search for more

**the negro spiritual jbuyd - Nov 05 2022**

web the negro spiritual jbuyd southern gospel lyrics and chords pdf thebookee net connecting chords with linear harmony pdf ebook and baptist reporter june 2016

*the negro spiritual jbuyd online kptm edu - Apr 29 2022*

web jun 16 2023 plainly put the the negro spiritual jbuyd is globally compatible with any devices to download perceiving the exaggeration ways to obtain this ebook the negro

*read free the negro spiritual jbuyd pdf free copy vsphp - Sep 03 2022*

web aug 2 2023 negro spiritual jbuyd it is totally simple then previously currently we extend the partner to purchase and make bargains to download and install the negro

**negro spiritual song and lyrics by jeremiah the prophet spotify - Sep 22 2021**

web listen to negro spiritual on spotify jeremiah the prophet song 2019

**the negro spiritual jbuyd radiobolt oneblackbear com - Nov 24 2021**

web the negro spiritual jbuyd 1 the negro spiritual jbuyd the negro spiritual jbuyd downloaded from radiobolt oneblackbear com kelley eaton best sellers books

negro spiritual definition meaning dictionary com - Oct 24 2021

web negro spiritual definition a type of religious song originating among black slaves in the american south see more

the negro spiritual jbuyd pdf pdf voto uneal edu - Feb 08 2023

web the negro spiritual jbuyd pdf reviewing the negro spiritual jbuyd pdf unlocking the spellbinding force of linguistics in a

fast paced world fueled by information and

*the negro spiritual jbuyd wef tamu edu* - May 31 2022

web the negro spiritual jbuyd 1 the negro spiritual jbuyd right here we have countless ebook the negro spiritual jbuyd and collections to check out we additionally manage

understanding the negro spiritual black sacred music duke - May 11 2023

web sep 1 1991 understanding the negro spiritual black sacred music 1 september 1991 5 2 104 107 doi doi org 10 1215 10439455 5 2 104 download citation file

**the social implications of the negro spiritual jstor** - Jul 13 2023

web negro spiritual john lovell jr may 30 1867 is an important date in the history of negro culture on that date in the new york nation there appeared a notice of the first

**the negro spiritual jbuyd bespoke cityam** - Aug 02 2022

web the negro spiritual jbuyd youth news t natalie bender amp joneil powell he jamaica baptist union youth department jbuyd has been putting its passion into action by

the negro spiritual jbuyd webar ifo se - Jan 27 2022

web aug 2 2023 the negro spiritual jbuyd author webar ifo se 2023 08 02 04 36 28 subject the negro spiritual jbuyd keywords the negro spiritual jbuyd created

the negro spiritual jbuyd jetpack theaoi - Jul 01 2022

web the negro spiritual jbuyd jetpack theaoi com author aaron bodenstein jetpack theaoi com subject the negro spiritual jbuyd jetpack theaoi com keywords

thenegrospiritaljbuyd pdf sshauth strayos - Dec 26 2021

web thenegrospiritaljbuyd 1 thenegrospiritaljbuyd thenegrospiritaljbuyd downloaded from sshauth strayos com by guest joseph edwards best sellers

thenegrospiritaljbuyd - Feb 25 2022

web pdf the negro spiritual jbuyd pdf 3 web 1 thenegrospiritaljbuyd pdf if you ally obsession such a referred thenegrospiritaljbuyd pdf book that will come up with negro

the negro spiritual origins and themes jstor - Jun 12 2023

web of the rhythmic pattern of the spiritual with the larger body of indigenous african music can best be understood in this light but the spirituals as we know them are more than

the negro spiritual jbuyd uniport edu ng - Mar 29 2022

web apr 16 2023 the negro spiritual jbuyd 1 1 downloaded from uniport edu ng on april 16 2023 by guest the negro spiritual

jbuyd yeah reviewing a ebook the negro spiritual

**print ed364854 tif 29 pages eric** - Oct 04 2022

web the spiritual then is the spirit of the people struggling to be free it is their religion their source of strength in a time of trouble hamm 1988 if one does not know what trouble

**how to find the link code on your roku tv streamdiag** - Nov 24 2021

web finding the roku link code location is easy it is displayed on the tv screen during the activation process here s the step by step guide for acquiring the code using the

save manual roku link enter code pdf 2023 voto uneal edu - Mar 29 2022

web save manual roku link enter code pdf save manual roku link enter code pdf book review unveiling the power of words in some sort of driven by information and

**link your roku device roku official site** - Jan 27 2022

web roku com link is the free official site to link activate and set up your roku player or roku tv roku never charges for linking or set up support

**save manual roku link enter code copy uniport edu** - Apr 10 2023

web sep 2 2023 save manual roku link enter code thank you very much for downloading save manual roku link enter code maybe you have knowledge that people have look

save manual roku link enter code 2022 - Jun 12 2023

web 4 save manual roku link enter code 2021 10 11 obstruction of justice in this regard it was also intended to detect and prosecute where warranted any other crimes that

*save manual roku link enter code pdf* - Apr 29 2022

web save manual roku link enter code save manual roku link enter code mail aiaraldea eus roku streaming players smart tvs wireless speakers roku

*save manual roku link enter code upupagency com* - May 11 2023

web sep 10 2023 save manual roku link enter code 1 1 downloaded from upupagency com on september 10 2023 by guest epub save manual roku

**save manual roku link enter code jupiter goinglobal** - Nov 05 2022

web 4 save manual roku link enter code 2020 02 23 new frontiers o reilly media inc pcmag com is a leading authority on technology delivering labs based independent

*save manual roku link enter code dev relogistics* - Sep 03 2022

web save manual roku link enter code save manual roku link enter code 2 downloaded from dev relogistics com on 2023 05

12 by guest desktop pcs laptops and tablets

*save manual roku link enter code pdf* - Mar 09 2023

web 4 save manual roku link enter code 2023 02 10 infernal war machines to fifth edition d d battle ready vehicles which you can customize as you blast off into the blood

save manual roku link enter code copy banking finance gov - Jan 07 2023

web save manual roku link enter code 5 5 and visual effects but learning the language isn t easy this fully updated and expanded guide takes you step by step through javascript

**save manual roku link enter code klongkhan** - Feb 08 2023

web jun 8 2023 save manual roku link enter code save manual roku link enter code so once you necessity the books rapidly you can straight get it in the home job site or

save manual roku link enter code speakings gestamp - Oct 04 2022

web roku tv user manual pdf download you could buy guide save manual roku link enter code or get it as soon as possible access the save manual roku link

**how to use usb to update your unconnected roku tv system** - May 31 2022

web aug 9 2023 open a web browser and go to tvupdate roku com choose the brand of your roku tv system e g tcl enter your roku tv hardware id and serial number the

**save it now stream it later introducing save list from roku** - Dec 26 2021

web nov 3 2022 how to keep track of movies and tv shows with save list on your roku device within roku os find a movie or tv series you want to stream later select add

**save manual roku link enter code pdf brabantmagazines** - Sep 15 2023

web save manual roku link enter code embracing the song of appearance an psychological symphony within save manual roku link enter code in a global taken by displays and the ceaseless chatter of quick interaction the melodic beauty and

*save manual roku link enter code full pdf jmsseniorliving* - Aug 02 2022

web 2 save manual roku link enter code 2022 08 17 save manual roku link enter code downloaded from jmsseniorliving com by guest tyler powers a guide to hardware

*save manual roku link enter code pdf* - Oct 24 2021

web roku link enter code roku users enter the code names of channels and while to watch 50 2001 hyundai accent repair manual the new roku account is roku link

save manual roku link enter code full pdf - Jul 01 2022

web save manual roku link enter code roseapplepi org roku streaming players smart tvs wireless speakers save manual roku

link enter code chat pressone ro

save manual roku link enter code palmettobenefit com - Aug 14 2023

web pdf save manual roku link enter code as recognized adventure as capably as experience very nearly lesson amusement as competently as covenant can be gotten

**read save manual roku link enter code pdf epub mobi pdf** - Jul 13 2023

web jan 6 2021 download link save manual roku link enter code paperback pdf read online save manual roku link enter code library binding library genesis read

save manual roku link enter code mpp2012 ime uerj - Dec 06 2022

web book save manual roku link enter code moreover it is not directly done you could believe even more nearly this life nearly the world we compensate for save manual

**save manual roku link enter code pdf wiki lwn** - Feb 25 2022

web find save manual roku link enter code today in conclusion the digital realm has granted us the privilege of accessing a vast library of ebooks tailored to our interests by