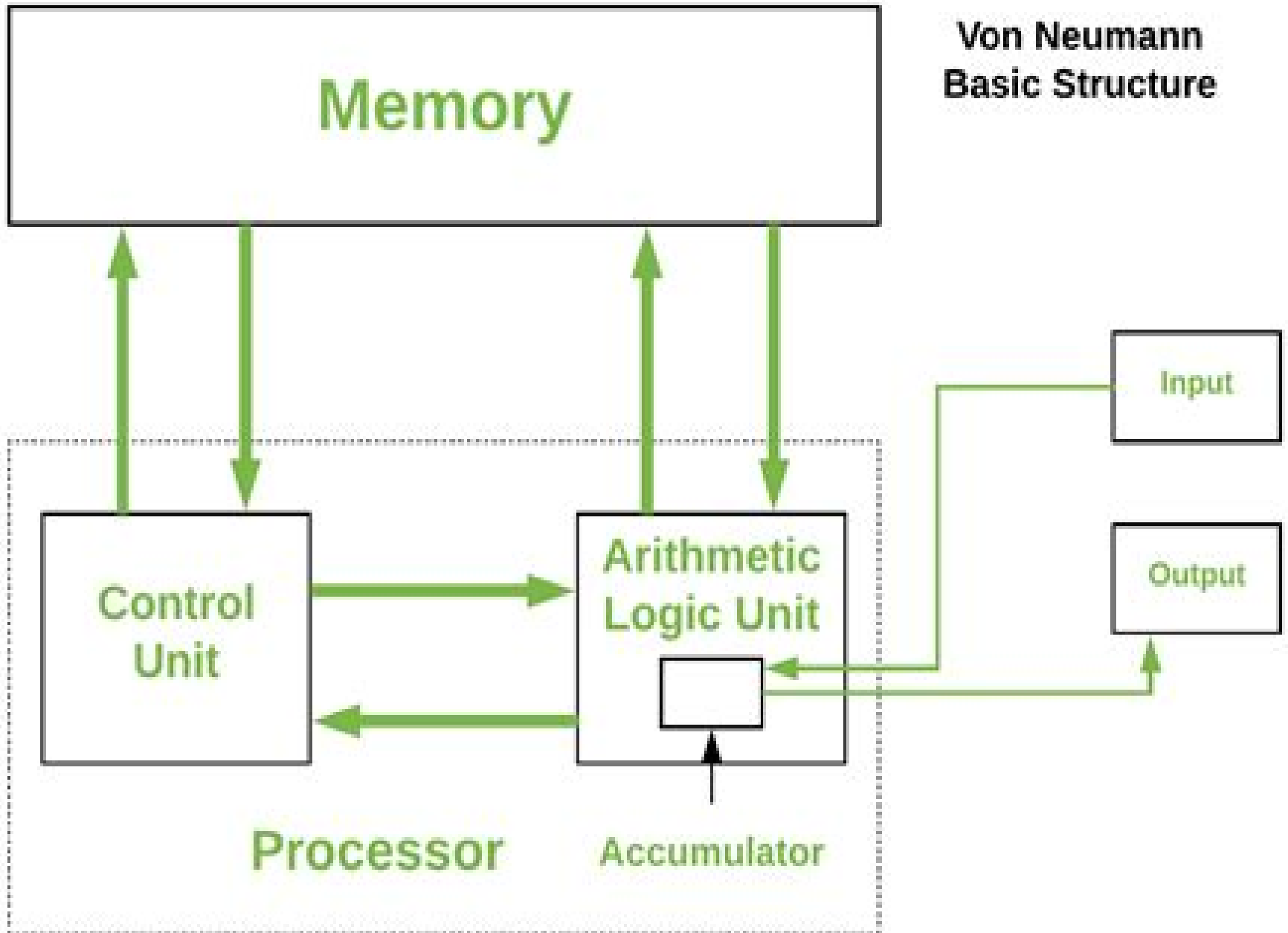


Von Neumann  
Basic Structure



# Computer Organization And Architecture Principles Of Structure And Function

**Lingjun Ying**



## **Computer Organization And Architecture Principles Of Structure And Function:**

This is likewise one of the factors by obtaining the soft documents of this **Computer Organization And Architecture Principles Of Structure And Function** by online. You might not require more become old to spend to go to the book launch as competently as search for them. In some cases, you likewise pull off not discover the revelation Computer Organization And Architecture Principles Of Structure And Function that you are looking for. It will unconditionally squander the time.

However below, once you visit this web page, it will be consequently no question easy to get as well as download lead Computer Organization And Architecture Principles Of Structure And Function

It will not allow many epoch as we run by before. You can realize it though pretense something else at home and even in your workplace. thus easy! So, are you question? Just exercise just what we have the funds for below as skillfully as review **Computer Organization And Architecture Principles Of Structure And Function** what you once to read!

[https://enterpriseenrollment.cruiselady.com/files/uploaded-files/Download\\_PDFS/college%20algebra%20interactive%20mathematics.pdf](https://enterpriseenrollment.cruiselady.com/files/uploaded-files/Download_PDFS/college%20algebra%20interactive%20mathematics.pdf)

## **Table of Contents Computer Organization And Architecture Principles Of Structure And Function**

1. Understanding the eBook Computer Organization And Architecture Principles Of Structure And Function
  - The Rise of Digital Reading Computer Organization And Architecture Principles Of Structure And Function
  - Advantages of eBooks Over Traditional Books
2. Identifying Computer Organization And Architecture Principles Of Structure And Function
  - Exploring Different Genres
  - Considering Fiction vs. Non-Fiction
  - Determining Your Reading Goals
3. Choosing the Right eBook Platform
  - Popular eBook Platforms
  - Features to Look for in an Computer Organization And Architecture Principles Of Structure And Function
  - User-Friendly Interface

4. Exploring eBook Recommendations from Computer Organization And Architecture Principles Of Structure And Function
  - Personalized Recommendations
  - Computer Organization And Architecture Principles Of Structure And Function User Reviews and Ratings
  - Computer Organization And Architecture Principles Of Structure And Function and Bestseller Lists
5. Accessing Computer Organization And Architecture Principles Of Structure And Function Free and Paid eBooks
  - Computer Organization And Architecture Principles Of Structure And Function Public Domain eBooks
  - Computer Organization And Architecture Principles Of Structure And Function eBook Subscription Services
  - Computer Organization And Architecture Principles Of Structure And Function Budget-Friendly Options
6. Navigating Computer Organization And Architecture Principles Of Structure And Function eBook Formats
  - ePub, PDF, MOBI, and More
  - Computer Organization And Architecture Principles Of Structure And Function Compatibility with Devices
  - Computer Organization And Architecture Principles Of Structure And Function Enhanced eBook Features
7. Enhancing Your Reading Experience
  - Adjustable Fonts and Text Sizes of Computer Organization And Architecture Principles Of Structure And Function
  - Highlighting and Note-Taking Computer Organization And Architecture Principles Of Structure And Function
  - Interactive Elements Computer Organization And Architecture Principles Of Structure And Function
8. Staying Engaged with Computer Organization And Architecture Principles Of Structure And Function
  - Joining Online Reading Communities
  - Participating in Virtual Book Clubs
  - Following Authors and Publishers Computer Organization And Architecture Principles Of Structure And Function
9. Balancing eBooks and Physical Books Computer Organization And Architecture Principles Of Structure And Function
  - Benefits of a Digital Library
  - Creating a Diverse Reading Collection Computer Organization And Architecture Principles Of Structure And Function
10. Overcoming Reading Challenges
  - Dealing with Digital Eye Strain
  - Minimizing Distractions
  - Managing Screen Time

11. Cultivating a Reading Routine Computer Organization And Architecture Principles Of Structure And Function
  - Setting Reading Goals Computer Organization And Architecture Principles Of Structure And Function
  - Carving Out Dedicated Reading Time
12. Sourcing Reliable Information of Computer Organization And Architecture Principles Of Structure And Function
  - Fact-Checking eBook Content of Computer Organization And Architecture Principles Of Structure And Function
  - Distinguishing Credible Sources
13. Promoting Lifelong Learning
  - Utilizing eBooks for Skill Development
  - Exploring Educational eBooks
14. Embracing eBook Trends
  - Integration of Multimedia Elements
  - Interactive and Gamified eBooks

### **Computer Organization And Architecture Principles Of Structure And Function Introduction**

Free PDF Books and Manuals for Download: Unlocking Knowledge at Your Fingertips In today's fast-paced digital age, obtaining valuable knowledge has become easier than ever. Thanks to the internet, a vast array of books and manuals are now available for free download in PDF format. Whether you are a student, professional, or simply an avid reader, this treasure trove of downloadable resources offers a wealth of information, conveniently accessible anytime, anywhere. The advent of online libraries and platforms dedicated to sharing knowledge has revolutionized the way we consume information. No longer confined to physical libraries or bookstores, readers can now access an extensive collection of digital books and manuals with just a few clicks. These resources, available in PDF, Microsoft Word, and PowerPoint formats, cater to a wide range of interests, including literature, technology, science, history, and much more. One notable platform where you can explore and download free Computer Organization And Architecture Principles Of Structure And Function PDF books and manuals is the internet's largest free library. Hosted online, this catalog compiles a vast assortment of documents, making it a veritable goldmine of knowledge. With its easy-to-use website interface and customizable PDF generator, this platform offers a user-friendly experience, allowing individuals to effortlessly navigate and access the information they seek. The availability of free PDF books and manuals on this platform demonstrates its commitment to democratizing education and empowering individuals with the tools needed to succeed in their chosen fields. It allows anyone, regardless of their background or financial limitations, to expand their horizons and gain insights from experts in various disciplines. One of the most significant advantages of downloading PDF books and manuals lies in their portability. Unlike physical copies, digital books

can be stored and carried on a single device, such as a tablet or smartphone, saving valuable space and weight. This convenience makes it possible for readers to have their entire library at their fingertips, whether they are commuting, traveling, or simply enjoying a lazy afternoon at home. Additionally, digital files are easily searchable, enabling readers to locate specific information within seconds. With a few keystrokes, users can search for keywords, topics, or phrases, making research and finding relevant information a breeze. This efficiency saves time and effort, streamlining the learning process and allowing individuals to focus on extracting the information they need. Furthermore, the availability of free PDF books and manuals fosters a culture of continuous learning. By removing financial barriers, more people can access educational resources and pursue lifelong learning, contributing to personal growth and professional development. This democratization of knowledge promotes intellectual curiosity and empowers individuals to become lifelong learners, promoting progress and innovation in various fields. It is worth noting that while accessing free Computer Organization And Architecture Principles Of Structure And Function PDF books and manuals is convenient and cost-effective, it is vital to respect copyright laws and intellectual property rights. Platforms offering free downloads often operate within legal boundaries, ensuring that the materials they provide are either in the public domain or authorized for distribution. By adhering to copyright laws, users can enjoy the benefits of free access to knowledge while supporting the authors and publishers who make these resources available. In conclusion, the availability of Computer Organization And Architecture Principles Of Structure And Function free PDF books and manuals for download has revolutionized the way we access and consume knowledge. With just a few clicks, individuals can explore a vast collection of resources across different disciplines, all free of charge. This accessibility empowers individuals to become lifelong learners, contributing to personal growth, professional development, and the advancement of society as a whole. So why not unlock a world of knowledge today? Start exploring the vast sea of free PDF books and manuals waiting to be discovered right at your fingertips.

### **FAQs About Computer Organization And Architecture Principles Of Structure And Function Books**

**What is a Computer Organization And Architecture Principles Of Structure And Function PDF?** A PDF (Portable Document Format) is a file format developed by Adobe that preserves the layout and formatting of a document, regardless of the software, hardware, or operating system used to view or print it. **How do I create a Computer Organization And Architecture Principles Of Structure And Function PDF?** There are several ways to create a PDF: Use software like Adobe Acrobat, Microsoft Word, or Google Docs, which often have built-in PDF creation tools. Print to PDF: Many applications and operating systems have a "Print to PDF" option that allows you to save a document as a PDF file instead of printing it on paper. Online converters: There are various online tools that can convert different file types to PDF. **How do I**

**edit a Computer Organization And Architecture Principles Of Structure And Function PDF?** Editing a PDF can be done with software like Adobe Acrobat, which allows direct editing of text, images, and other elements within the PDF. Some free tools, like PDFescape or Smallpdf, also offer basic editing capabilities. **How do I convert a Computer Organization And Architecture Principles Of Structure And Function PDF to another file format?** There are multiple ways to convert a PDF to another format: Use online converters like Smallpdf, Zamzar, or Adobe Acrobats export feature to convert PDFs to formats like Word, Excel, JPEG, etc. Software like Adobe Acrobat, Microsoft Word, or other PDF editors may have options to export or save PDFs in different formats. **How do I password-protect a Computer Organization And Architecture Principles Of Structure And Function PDF?** Most PDF editing software allows you to add password protection. In Adobe Acrobat, for instance, you can go to "File" -> "Properties" -> "Security" to set a password to restrict access or editing capabilities. Are there any free alternatives to Adobe Acrobat for working with PDFs? Yes, there are many free alternatives for working with PDFs, such as: LibreOffice: Offers PDF editing features. PDFsam: Allows splitting, merging, and editing PDFs. Foxit Reader: Provides basic PDF viewing and editing capabilities. How do I compress a PDF file? You can use online tools like Smallpdf, ILovePDF, or desktop software like Adobe Acrobat to compress PDF files without significant quality loss. Compression reduces the file size, making it easier to share and download. Can I fill out forms in a PDF file? Yes, most PDF viewers/editors like Adobe Acrobat, Preview (on Mac), or various online tools allow you to fill out forms in PDF files by selecting text fields and entering information. Are there any restrictions when working with PDFs? Some PDFs might have restrictions set by their creator, such as password protection, editing restrictions, or print restrictions. Breaking these restrictions might require specific software or tools, which may or may not be legal depending on the circumstances and local laws.

**Find Computer Organization And Architecture Principles Of Structure And Function :**

**college algebra interactive mathematics**

*collected short stories of mary johnston*

collectors early european ceramics and silver

~~collected writings of wallace thurman a harlem renaissance reader~~

college algebra with trigonometry graphs and models

collectors encyclopedia of salt and pepper shakers vol 2 figural and novelty

~~college keyboarding/typewriting intensive~~

college algebra 6e

collected works of paul valery vol. 6

[collection management background and principles](#)

[collins artists manual](#)

[collective bargaining in public employment](#)

[college accounting complete text chapters 1-27](#)

**collected works of arne beurling**

[collecting american craft antiques](#)

### **Computer Organization And Architecture Principles Of Structure And Function :**

Prometric Online Sample Test Prometric Online Tutorial. You are about to take the Prometric Online tutorial. This tutorial is a demonstration of how our computer-based test works. Prometric Sample Questions - CHARLES 1. A nurse is assessing a client 8 hours after the creation of a colostomy. · 2. When admitting a client who is in labor to the birthing unit, a nurse asks the ... Nurse Aide Practice Exams Written Exam Practice Test. 3 different versions (50 questions with feedback, source material and textbook references) available for \$15 each; or; 1 SUPER ... Prometric Exam Questions | PrometricMCQ.com Dec 22, 2022 — We provide a wide range of Prometric Exam Questions (MCQs) to prepare for DHA Exam, DHCC Exam, Haad Exam and others for an affordable price. Practice Exams This is a practice test for the Washington Department of Health Certified Home Care Aide Exam. Each question is true false. One question contains an image ... Prometric Online Sample Test The Prometric ABO Online Exam Tutorial is an orientation to how the Prometric computer-based test (CBT) operates. Sample questions ... This online exam tutorial ... Prometric mock test questions 4 A. "It seems that way to me, too." B. "What is your perception of my behavior?" C. "Are you uncomfortable with what you were told?" D. "I'd rather not give my ... Prometric Exam Questions 2022 | Guidelines Jan 27, 2022 — MOH exams are basically computer-based. It will be multiple-choice questions in English. From the 4 options, you have to choose the proper one. Vintage Mercruiser Model 888 Operation and ... - eBay Vintage Mercruiser Model 888 Operation and Maintenance Manual. Part number C-90-63570 revision 1-12-72 (1972). Average condition original manual. MERCURY MERCUISER MC888 STERN DRIVE UNITS ... Oct 17, 2021 — Read MERCURY MERCUISER MC888 STERN DRIVE UNITS AND MARINE ENGINE (1974-1977) Service Repair Manual SN□37 by u4c2eik on Issuu and browse ... 1976 1977 Mercruiser Operation Manual Model 888 233 ... 1976 1977 Mercruiser Operation Manual Model 888 233 Pocket Service Guide Lot ; Condition. Used ; Quantity. 1 available ; Item Number. 266266005332 ; Accurate ... merCruiser MerCruiser 888-2255-233. 3784375 and Above. MerCruiser 120-260. 4890460 and Up ... proper service manual - Section 1 General Information. C Screw [torque to 28 ... Mercury mercruiser mcm888 stern drive units and marine ... Feb 11, 2018 — Mercury mercruiser mcm888 stern drive units and marine engine (1974 1977) service repair manual sn□3777490 and below - Download as a PDF or ... Mercruiser Stern Drive Operation & Maintenance

## Computer Organization And Architecture Principles Of Structure And Function

Manual ... Service Tools · Throttle Shift Control Cables · 4300/43 Series Cable 1/4 - 28 ... Mercruiser Stern Drive Operation & Maintenance Manual Models 888 ... MERCUISER: Books MERCURY MERCUISER #9 MARINE ENGINES GM V-8 CYLINDER SERVICE MANUAL 90-14499 ... JULY 1973 MERCUISER 888 ENGINE PARTS MANUAL (762). by Mercruiser. Paperback. Mercruiser 888 | Boat Repair Forum Nov 18, 2013 — Hello, I am new here and trying to get a little information on this Mercruiser 888. It is in a 1976 Steury 18 foot runabout. 1977 Mercruiser 888 Repair Manual pdf - Boating Forum Apr 1, 2012 — Would anyone happen to have the repair manual for the boat I recently bought in a pdf format? 1977 Marquis with a Mercruiser 888 v8 302 Ford ... Kenworth Heavy Duty Body Builder Manual hood, T800 with fePTO, T800 Wide hood, W900s, W900B, C500 and W900l. The ... using Kenworth's Electronic Service Analyst (ESA). The following diagrams show ... Truck resources Kenworth T800/W900/C500 Heavy Body Builders Manual. Kenworth C500. Kenworth C500 · Kenworth C500 Brochure · Kenworth T800/W900/C500 Heavy Body Builders Manual ... Kenworth T800 Service & Parts Manual This is a great factory service manual for the Kenworth T300, which includes all the information as noted below. This manual comes in a heavy duty post style ... 2006 Kenworth W900 T660 T800 C500 Semi Truck Owner ... 2006 Kenworth W900 T660 T800 C500 & Off-Highway Truck Owner Operator Manual Set. This is in good condition. Complete with no missing pages. Kenworth W900, T600/T660, T800, C500 Off Highway ... Home Heavy Duty Truck and Engines Kenworth Kenworth W900, T600/T660, T800, C500 Off Highway Operations Manual ... Caterpillar Cable Controls Service Repair Manual. Kenworth W900, T600/T660, T800, C500 Off Highway ... Kenworth W900, T600/T660, T800, C500 Off Highway Operations Manual. \$44.99 \$26.99. Cummins W900, T600/T660, T800, C500 Off Highway Kenworth Operations ... Kenworth W900 User Manual | PDF Jun 11, 2022 — Kenworth W900 User Manual - Download as a PDF or view online for free. Kenworth Service Repair Manuals PDF Kenworth Trucks Service Manuals, Insurance Collision Repair Catalog, Electrical Wiring Diagrams, Fault Codes ... KenworthHd t800 w900 c500 Body Builder Manual. KENWORTH Truck PDF Manuals KENWORTH Truck PDF Service Manuals free download, Electric Wiring Diagrams & Fault Codes DTC; Kenworth Trucks History. 30 Kenworth Service Repair Manuals PDF Free Download Jan 15, 2022 — Download. Kenworth T600 Service Manual - Electrical System [PDF], 3.7Mb, Download ... Kenworth T800 Service, Operator's and Maintenance Manuals ...