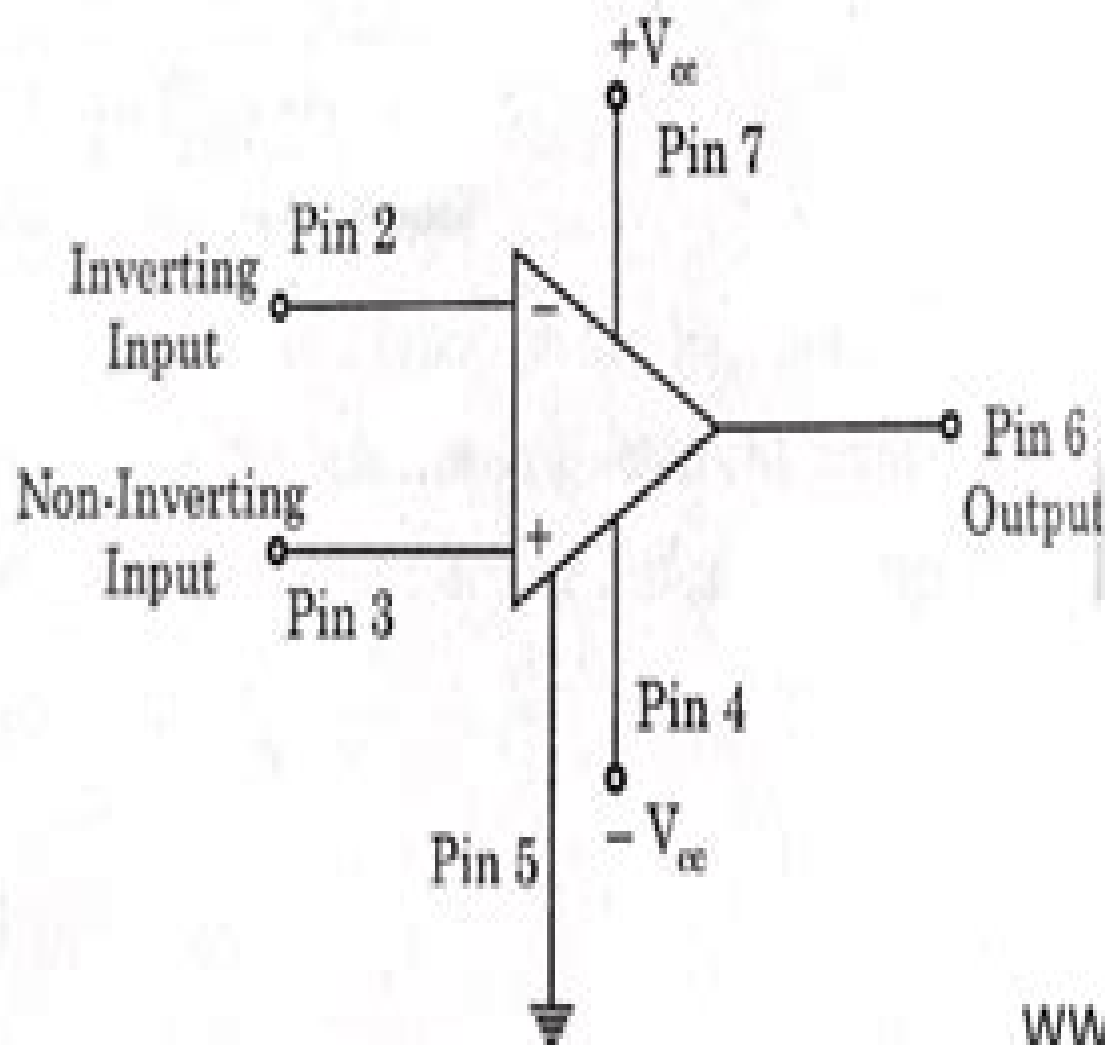


Operational Amplifier | OP-AMP Basic



(1) Single Ended

*Operation of
OP-AMP*

(2) Double Ended

*Operation of
OP-AMP*

Basic Operational Amplifiers

JL Elias



Basic Operational Amplifiers:

This Enthralling Realm of E-book Books: A Thorough Guide Unveiling the Pros of Kindle Books: A Realm of Convenience and Flexibility E-book books, with their inherent portability and simplicity of access, have liberated readers from the constraints of physical books. Gone are the days of lugging bulky novels or carefully searching for specific titles in shops. Kindle devices, stylish and portable, seamlessly store an extensive library of books, allowing readers to indulge in their preferred reads anytime, everywhere. Whether traveling on a busy train, relaxing on a sun-kissed beach, or just cozying up in bed, E-book books provide an exceptional level of ease. A Literary Universe Unfolded: Exploring the Wide Array of Kindle Basic Operational Amplifiers Basic Operational Amplifiers The E-book Store, a virtual treasure trove of bookish gems, boasts an extensive collection of books spanning varied genres, catering to every reader's preference and preference. From captivating fiction and mind-stimulating non-fiction to timeless classics and modern bestsellers, the Kindle Store offers an unparalleled abundance of titles to explore. Whether seeking escape through immersive tales of fantasy and exploration, diving into the depths of historical narratives, or broadening one's understanding with insightful works of science and philosophy, the Kindle Store provides a doorway to a bookish world brimming with endless possibilities. A Game-changing Force in the Bookish Scene: The Lasting Impact of Kindle Books Basic Operational Amplifiers The advent of E-book books has unquestionably reshaped the bookish landscape, introducing a model shift in the way books are released, disseminated, and consumed. Traditional publishing houses have embraced the digital revolution, adapting their approaches to accommodate the growing need for e-books. This has led to a rise in the accessibility of Kindle titles, ensuring that readers have entry to a wide array of bookish works at their fingertips. Moreover, Kindle books have democratized access to books, breaking down geographical barriers and offering readers worldwide with equal opportunities to engage with the written word. Regardless of their location or socioeconomic background, individuals can now engross themselves in the captivating world of literature, fostering a global community of readers. Conclusion: Embracing the Kindle Experience Basic Operational Amplifiers Kindle books Basic Operational Amplifiers, with their inherent convenience, versatility, and vast array of titles, have unquestionably transformed the way we experience literature. They offer readers the liberty to discover the boundless realm of written expression, anytime, everywhere. As we continue to travel the ever-evolving online landscape, E-book books stand as testament to the persistent power of storytelling, ensuring that the joy of reading remains reachable to all.

<https://enterpriseenrollment.cruiselady.com/results/Resources/fetch.php/Ce%20Que%20Developpement%20Durable%20Veut%20Direcomprendre%20Comment%20Faire%20Prendre%20Du%20Re.pdf>

Table of Contents Basic Operational Amplifiers

1. Understanding the eBook Basic Operational Amplifiers
 - The Rise of Digital Reading Basic Operational Amplifiers
 - Advantages of eBooks Over Traditional Books
2. Identifying Basic Operational Amplifiers
 - Exploring Different Genres
 - Considering Fiction vs. Non-Fiction
 - Determining Your Reading Goals
3. Choosing the Right eBook Platform
 - Popular eBook Platforms
 - Features to Look for in an Basic Operational Amplifiers
 - User-Friendly Interface
4. Exploring eBook Recommendations from Basic Operational Amplifiers
 - Personalized Recommendations
 - Basic Operational Amplifiers User Reviews and Ratings
 - Basic Operational Amplifiers and Bestseller Lists
5. Accessing Basic Operational Amplifiers Free and Paid eBooks
 - Basic Operational Amplifiers Public Domain eBooks
 - Basic Operational Amplifiers eBook Subscription Services
 - Basic Operational Amplifiers Budget-Friendly Options
6. Navigating Basic Operational Amplifiers eBook Formats
 - ePub, PDF, MOBI, and More
 - Basic Operational Amplifiers Compatibility with Devices
 - Basic Operational Amplifiers Enhanced eBook Features
7. Enhancing Your Reading Experience
 - Adjustable Fonts and Text Sizes of Basic Operational Amplifiers
 - Highlighting and Note-Taking Basic Operational Amplifiers
 - Interactive Elements Basic Operational Amplifiers
8. Staying Engaged with Basic Operational Amplifiers

- Joining Online Reading Communities
 - Participating in Virtual Book Clubs
 - Following Authors and Publishers Basic Operational Amplifiers
9. Balancing eBooks and Physical Books Basic Operational Amplifiers
- Benefits of a Digital Library
 - Creating a Diverse Reading Collection Basic Operational Amplifiers
10. Overcoming Reading Challenges
- Dealing with Digital Eye Strain
 - Minimizing Distractions
 - Managing Screen Time
11. Cultivating a Reading Routine Basic Operational Amplifiers
- Setting Reading Goals Basic Operational Amplifiers
 - Carving Out Dedicated Reading Time
12. Sourcing Reliable Information of Basic Operational Amplifiers
- Fact-Checking eBook Content of Basic Operational Amplifiers
 - Distinguishing Credible Sources
13. Promoting Lifelong Learning
- Utilizing eBooks for Skill Development
 - Exploring Educational eBooks
14. Embracing eBook Trends
- Integration of Multimedia Elements
 - Interactive and Gamified eBooks

Basic Operational Amplifiers Introduction

In the digital age, access to information has become easier than ever before. The ability to download Basic Operational Amplifiers has revolutionized the way we consume written content. Whether you are a student looking for course material, an avid reader searching for your next favorite book, or a professional seeking research papers, the option to download Basic Operational Amplifiers has opened up a world of possibilities. Downloading Basic Operational Amplifiers provides numerous advantages over physical copies of books and documents. Firstly, it is incredibly convenient. Gone are the days of carrying around heavy textbooks or bulky folders filled with papers. With the click of a button, you can gain immediate access to

valuable resources on any device. This convenience allows for efficient studying, researching, and reading on the go. Moreover, the cost-effective nature of downloading Basic Operational Amplifiers has democratized knowledge. Traditional books and academic journals can be expensive, making it difficult for individuals with limited financial resources to access information. By offering free PDF downloads, publishers and authors are enabling a wider audience to benefit from their work. This inclusivity promotes equal opportunities for learning and personal growth. There are numerous websites and platforms where individuals can download Basic Operational Amplifiers. These websites range from academic databases offering research papers and journals to online libraries with an expansive collection of books from various genres. Many authors and publishers also upload their work to specific websites, granting readers access to their content without any charge. These platforms not only provide access to existing literature but also serve as an excellent platform for undiscovered authors to share their work with the world. However, it is essential to be cautious while downloading Basic Operational Amplifiers. Some websites may offer pirated or illegally obtained copies of copyrighted material. Engaging in such activities not only violates copyright laws but also undermines the efforts of authors, publishers, and researchers. To ensure ethical downloading, it is advisable to utilize reputable websites that prioritize the legal distribution of content. When downloading Basic Operational Amplifiers, users should also consider the potential security risks associated with online platforms. Malicious actors may exploit vulnerabilities in unprotected websites to distribute malware or steal personal information. To protect themselves, individuals should ensure their devices have reliable antivirus software installed and validate the legitimacy of the websites they are downloading from. In conclusion, the ability to download Basic Operational Amplifiers has transformed the way we access information. With the convenience, cost-effectiveness, and accessibility it offers, free PDF downloads have become a popular choice for students, researchers, and book lovers worldwide. However, it is crucial to engage in ethical downloading practices and prioritize personal security when utilizing online platforms. By doing so, individuals can make the most of the vast array of free PDF resources available and embark on a journey of continuous learning and intellectual growth.

FAQs About Basic Operational Amplifiers Books

How do I know which eBook platform is the best for me? Finding the best eBook platform depends on your reading preferences and device compatibility. Research different platforms, read user reviews, and explore their features before making a choice. Are free eBooks of good quality? Yes, many reputable platforms offer high-quality free eBooks, including classics and public domain works. However, make sure to verify the source to ensure the eBook credibility. Can I read eBooks without an eReader? Absolutely! Most eBook platforms offer web-based readers or mobile apps that allow you to read

eBooks on your computer, tablet, or smartphone. How do I avoid digital eye strain while reading eBooks? To prevent digital eye strain, take regular breaks, adjust the font size and background color, and ensure proper lighting while reading eBooks. What the advantage of interactive eBooks? Interactive eBooks incorporate multimedia elements, quizzes, and activities, enhancing the reader engagement and providing a more immersive learning experience. Basic Operational Amplifiers is one of the best book in our library for free trial. We provide copy of Basic Operational Amplifiers in digital format, so the resources that you find are reliable. There are also many Ebooks of related with Basic Operational Amplifiers. Where to download Basic Operational Amplifiers online for free? Are you looking for Basic Operational Amplifiers PDF? This is definitely going to save you time and cash in something you should think about.

Find Basic Operational Amplifiers :

ce que developpement durable veut direcomprendre comment faire prendre du re

cats from away

ed-rom manuscript paper print staff paper from your computer

catolicos y fundamentalistas

celebrando a diario con el rey un devocional practico que impactara tu vida

edrom edition sidereus nunciis

catholic for a reason

catholic youth biblersv

cats behaving badly an anthology of feline misdemeanors

ccnp support study guide exam 640-506 with cd-rom

catholic spirituality its history and challenge

catholic of prayers popular catholic prayers arranged for everyday use

cats diary

caught in the middle nonstandard kids and a killing curriculum

eats by gross

Basic Operational Amplifiers :

category crafts of mexico state wikimedia commons - Feb 01 2022

web media in category crafts of mexico state the following 54 files are in this category out of 54 total

top 31 mexican crafts that represent mexico s culture - Jun 17 2023

web oct 15 2023 mexican crafts comprise a world of varied and colorful items with decorative and practical uses made by its many indigenous peoples these communities have ancestrally worked clay stone wood natural fibers textiles metals and other materials to create the best crafts in mexico

handcrafts and folk art in mexico city wikipedia - Dec 11 2022

web history historically the valley of mexico became a center for goods produced in mesoamerica with the rise of the aztec empire bringing worked goods into the area both through trade and tribute after the fall of tenochtitlan in 1521 this system of tribute continued with spanish systems added such as the rise of guilds to produce a number

mexico s most representative handicrafts folk art - Apr 15 2023

web jan 4 2023 pottery like all other mexican crafts has changed over the last 100 years traditional earthenware is still made but usually only for sale the elaboration of ceramic trees of life started approximately 100 years ago in metepecstate of mexico based on the original biblical trees that explain the origins of life the story of adam and eve

[mexican arts crafts inside mexico](#) - Nov 10 2022

web the most popular blown glass handicrafts are beer mugs glasses and jugs there are innumerable crafts made from paperamate paper is obtained by pounding the bark of a mexican tree of the same name after which it is decorated with landscapes figures of

9 fantastic crafts from mexico and where to find them - Mar 02 2022

web apr 18 2023 talavera from puebla talavera pottery is a traditional handicraft from the city of puebla mexico that has been produced since the 16th century it is characterized by its intricate and colorful designs that are painted by hand using a special glaze technique the art of making talavera pottery was introduced to mexico by spanish artisans in

mexican handicrafts and folk art wikipedia - Aug 19 2023

web in mexico both crafts created for utilitarian purposes and folk art are collectively known as artesanía as both have a similar history and both are a valued part of mexico s national identity mexico s artesanía tradition is a blend of

arts and crafts of mexico by chloe sayer goodreads - May 04 2022

web nov 1 1990 complete with full color photography of native crafts and vivid portraits of the mexican people and their lifestyles the arts and crafts of mexico combines in depth text and beautiful images into a treasury of myriad indigenous art forms among the items covered are brilliant textiles from the country s various regions a great diversity of

a guide to mexico s crafts towns oyster com - Mar 14 2023

web mar 2 2017 a guide to mexico s crafts towns it s okay to say it snapping up souvenirs is a fun part of the travel experience especially when those souvenirs aren t of the kitschy shot glass variety and the travel experience is to mexico in

mexico s artisan pueblos from a colonial silver mining town to a remote paper making village deep in the
[category crafts of mexico wikimedia commons](#) - Jan 12 2023

web pages in category crafts of mexico this category contains only the following page a artesanía crafts and folk art of
 mexico media in category crafts of mexico the following 110 files are in this category out of 110 total el rincón de las flores
 jpg 3 120

58 fun and fabulous mexican crafts for kids and adults - Oct 09 2022

web apr 7 2023 making traditional crafts for cinco de mayo is a wonderful way to learn about the creative culture of mexico
 here are 50 festive craft ideas including piñatas flowers maracas decorated skulls and more

handcrafts and folk art in the state of mexico wikipedia - Jun 05 2022

web this craft remains an indigenous activity almost entirely much of the labor supply of colonial state of mexico into the
 19th century was focused on production in and production for the various haciendas including handcraft production from the
 19th century on with the rise of modern industry handcraft production began to diminished as mass

crafts from mexico original 100 mexican gifts artesanias de mexico - Sep 08 2022

web crafts from mexico original 100 mexican gifts categories huichol art alebrijes clay wool rugs pewter olinala blog english
 language mexican gifts national and international shipping easy and secure payments corporate gifts shipping by dhl olinala
 olinalá is a lacquer technique originally from olinalá guerrero

[31 mexican crafts that bridge art and culture](#) - Sep 20 2023

web aug 29 2023 mexican crafts comprise a world of varied and colorful items with decorative and practical uses made by
 its many indigenous peoples these communities have ancestrally worked clay stone wood natural fibers textiles metals and
 other materials to create the best crafts in mexico

[art and native crafts journey mexico](#) - Feb 13 2023

web mexican art native crafts from globally renowned artists to the immense talent of local craftspeople mexico is home to a
 world class art scene with internationally acclaimed artists such as frida kahlo diego rivera david alfaro siqueiros and leonora
 carrington mexico s art scene and abundance of museums

61 must have crafts from mexico for ethical fashion enthusiasts - May 16 2023

web jun 17 2023 what are the best crafts from mexico for 2023 1 talavera pottery 2 huichol beadwork 3 alebrijes colorful
 wooden sculptures 4 otomi embroidery 5 oaxacan black pottery 6 taxco silver jewelry 7 mexican textiles including rebozos
 sarapes and serapes 8 mexican folk masks 9 palm weaving 10 amate bark paintings

the 10 most popular crafts in mexico blog xcaret - Jul 18 2023

web feb 22 2021 discover the top 10 most popular crafts in mexico 10 clay crafts in the tenth place is the clay craft

originating from various states of the country essentially guanajuato where there is a large number of artisans who use this material to make pots vases and a variety of functional utensils

the traditional crafts of mexico embracing the artistry of pottery - Jul 06 2022

web may 27 2023 the traditional crafts of mexico are a testament to the country s rich cultural heritage from the intricate pottery of oaxaca to the vibrant textiles of chiapas these crafts have been passed down through generations and continue to thrive today one of the most impressive aspects of these crafts is the level of artistry and skill involved in their creation

the best of arts and crafts in mexico youtube - Apr 03 2022

web oct 15 2014 one of mexico s many wonders are its handicrafts genuine works of handmade art abound in mexico but you need to know where to look because not all products

discover mexican crafts and its many colors youtube - Aug 07 2022

web nov 20 2020 one of the riches of mexico is its world of crafts mexico has 32 states where you can find a huge diversity of styles colors and crafts that can be very dif

100 000 best blue photos 100 free download pexels - Jul 21 2022

web download and use 100 000 blue stock photos for free thousands of new images every day completely free to use high quality videos and images from pexels

bule bf six wp publish com - Aug 22 2022

web bule bf six the enigmatic realm of bule bf six unleashing the language is inner magic in a fast paced digital era where connections and knowledge intertwine the enigmatic realm of language reveals its inherent magic its capacity to stir emotions ignite contemplation and catalyze profound transformations is nothing short of extraordinary

blue 2009 hindi movie watch full hd movie online on - Nov 24 2022

web blue 2009 is a action hindi film starring akshay kumar akshay kumar sanjay dutt in the lead roles directed by anthony d souza watch now or download to watch later

xxx star aabha paul looks sizzling hot drops sexy photos and - Feb 25 2023

web jan 10 2023 xxx star aabha paul is one of the hottest actresses who can turn heads with her glamorous photos and videos dna web team jan 10 2023 10 30 pm ist xxx star aabha paul who is an avid social media user never fails to

[hot and sexy viral reels of xxx gandii baat star aabha paul that](#) - Sep 03 2023

web dec 7 2022 hot and sexy viral reels of xxx gandii baat star aabha paul that raised temperature aabha paul xxx and gandii baat star is one of the hottest actresses who make her fans go crazy with her bold photos on social media xxx mastram and gandii baat actress aabha paul who is an active instagram user has been making headlines

bule bf six cyberlab sutd edu sg - Jun 19 2022

web bule bf six annual report of the minnesota state agricultural society aug 02 2020 duroc swine breeders journal mar 21 2022 six and seven months may 29 1837 may 23 2022 the curse of the boyfriend sweater oct 04 2020 the curse of the boyfriend sweater is a memoir about life truths learned through crafting

[watch bigg boss season 6 full episodes on disney hotstar](#) - Dec 26 2022

web watch bigg boss season 6 full episodes on disney hotstar bigg boss season 6 latest full episodes of bigg boss online on disney hotstar binge watch episodes of bigg boss entire season 6 only on disney hotstar

[six x teaser one film six stories shweta tiwari sofia hayat](#) - Oct 04 2023

web jul 18 2016 70m views 7 years ago subscribe to zee music company bit ly 2ypcbks presenting the official movie teaser of six x a film about women and their status in our society and how to

blue six music videos stats and photos last fm - Sep 22 2022

web nov 4 2014 blue six play artist more actions listeners 195 9k scrobbles 2 1m latest release signs wonders 4 november 2014 popular this week aquarian angel 30 listeners play album join others and track this artist scrobble find and rediscover music with a last fm account sign up to last fm born in newark essex county new jersey united

sexy reels of xxx gandii baat star aabha paul that will dna - Aug 02 2023

web dna web team dec 06 2022 11 15 pm ist xxx mastram and gandii baat star aabha paul who made headlines with he bold avatars in the series has been raising the temperature on social media with her sexy reels

xxx fame aabha paul dances to famous bollywood songs in - Apr 29 2023

web dec 30 2022 09 51 pm ist aabha paul has appeared in the bold web series xxx gandii baat and mastram here are some of her sexy and sizzling reels in which the actress can be seen grooving to famous bollywood songs all

[xxx bf porn big ass xxx indian xxx videos eporner](#) - Mar 29 2023

web watch xxx bf hd porn videos for free on eporner com we have 427 videos with xxx bf big ass xxx indian xxx brother and sister xxx bf sexy ebony xxx black xxx indian desi xxx christian xxx big booty xxx indian gf bf in our database available for free

xxx gandii baat ragini mms returns a look at erotic hindi - May 31 2023

web nov 28 2022 07 59 pm ist ekta kapoor s ott platform alt balaji has been making headlines due to its explicit sexual content meanwhile the 18 shows such as gandii baat xxx and ragini mms 2 also grabbed everyone s attention with their bold content let s take a look at bold web series that raised eyebrows 1

sexy and hot reels of xxx gandii baat star aabha paul go viral - Jul 01 2023

web dec 18 2022 sexy and hot reels of xxx gandii baat star aabha paul go viral aabha paul knows how to grab attention with her instagram posts in which she flaunts her sexy body in bold outfits xxx mastram and gandii baat star aabha paul has been

making headlines because of her steamy social media posts

[bule bf six cpanel urbnleaf com](#) - Feb 13 2022

web bule bf six 2 downloaded from cpanel urbnleaf com on 2019 10 29 by guest hollywoodlife the sex lives of college girls recap carol from the movie carol vulture i m 23 and i just watched sex and the city for the first time here vogue the blue caftan review tender moroccan love story between a gay tailor and his wife the guardian

sexy blue mp3 song download sexy blue wynkmusic - Oct 24 2022

web play download sexy blue mp3 song for free by albana jaffe from the album sexy blue download the song for offline listening now

six disney hotstar - May 19 2022

web may 26 2021 one murder six mistresses all suspects battling hidden motives and pure emotions can investigator ruhana solve the complicated homicide of kashish sura watch six hindi thriller serial on disney hotstar now

[bule bf six help environment harvard edu](#) - Mar 17 2022

web bule bf six right here we have countless book bule bf six and collections to check out we additionally have the funds for variant types and afterward type of the books to browse the standard book fiction history novel scientific research as well as various extra sorts of books are readily welcoming here

watch bb plus videos online on disney hotstar - Apr 17 2022

web watch bb plus videos online on disney hotstar bb plus 25 min s5e70 an unforgettable experience at bb museum 25 min s5e69 ormakkal athi madhuram task 24 min s5e68 what if bbs5 was made into a movie 24 min s5e67 magic potions for reneesha cerena 23 min s5e66 what has happened to sobha 26 min s5e65 sobha receives an

xxx star aabha paul flaunts her sexy body in viral photos and - Jan 27 2023

web feb 08 2023 11 07 pm ist xxx actress aabha paul who also appeared in gandii baat and mastram has a huge fan following and is a social media sensation her photos and videos often go viral on social media she never fails to impress her fans with her sexy photos and videos all images and videos aabha paul instagram 1

the ethics of gender new dimensions to religious ethics - Sep 24 2023

web the ethics of gender new dimensions to religious ethics susan f parsons isbn 978 0 631 21517 2 october 2001 wiley blackwell 212 pages print starting at just 56 95 paperback out of stock 56 95 hardcover 124 95 download product flyer is to download pdf in new tab this is a dummy description

the ethics of sex new dimensions to religious ethics amazon de - Jun 09 2022

web the ethics of sex new dimensions to religious ethics jordan mark d isbn 9780631218173 kostenloser versand für alle bücher mit versand und verkauf duch amazon

the ethics of sex new dimensions to religious ethics abebooks - Jan 16 2023

web abebooks com the ethics of sex new dimensions to religious ethics 9780631218173 by jordan mark d and a great selection of similar new used and collectible books available now at great prices the ethics of sex new dimensions to religious ethics jordan mark d 9780631218173 abebooks

amazon com the ethics of sex new dimensions to religious ethics - Apr 07 2022

web amazon com the ethics of sex new dimensions to religious ethics 9780631218173 jordan mark d libros

the ethics of gender new dimensions to religious ethics - Feb 17 2023

web sep 21 2001 this volume investigates the impact of thinking with gender on modern ethics and considers the insights that postmodern gender theory might bring to the ethical project it concludes with the possibility of another way of self understanding and of renewal in theological ethics for our time series new dimensions to religious ethics

ethics of sex new dimensions to religious ethics taschenbuch amazon de - Sep 12 2022

web ethics of sex new dimensions to religious ethics jordan mark d isbn 9780631218180 kostenloser versand für alle bücher mit versand und verkauf duch amazon

the ethics of gender new dimensions to religious ethics - Nov 14 2022

web the ethics of gender new dimensions to religious ethics parsons susan f 2 avg rating 2 ratings by goodreads hardcover isbn 10 0631215166 isbn 13 9780631215165 publisher wiley blackwell 2001 view all copies of this isbn edition synopsis about this title

new dimensions to religious ethics series goodreads - Mar 18 2023

web the ethics of gender new dimensions to religious ethics by susan parsons 2 00 2 ratings published 2001 5 editions the ethics of gender investigates the impact of th want to read rate it the ethics of sex by mark d jordan 3 83 30 ratings 4 reviews published 2001 4 editions mark jordan has written a provocative and stimulat

the ethics of gender new dimensions to religious ethics - Jun 21 2023

web oct 10 2001 the ethics of gender new dimensions to religious ethics susan parsons wiley oct 10 2001 religion 216 pages the ethics of gender investigates the impact of thinking with

the ethics of sex new dimensions to religious ethics open - Aug 23 2023

web the ethics of sex new dimensions to religious ethics by mark d jordan november 2001 blackwell publishers edition hardcover in english

ethics of sex new dimensions to religious ethics softcover - May 08 2022

web ethics of sex new dimensions to religious ethics von jordan mark d bei abebooks de isbn 10 0631218181 isbn 13 9780631218180 john wiley sons 2001 softcover

sex gender and christian ethics cambridge university press - Dec 15 2022

web sex gender and christian ethics demonstrates the significant contribution the christian moral tradition can make to these vitally important questions cahill s careful scholarship insightful treatment of the christian tradition and rich feminist consciousness guarantees her book a central place in such discussions

the ethics of gender new dimensions to religious ethics - Mar 06 2022

web buy the ethics of gender new dimensions to religious ethics 1 by parsons susan f isbn 9780631215172 from amazon s book store everyday low prices and free delivery on eligible orders the ethics of gender new dimensions to religious ethics amazon co uk parsons susan f 9780631215172 books

the ethics of gender new dimensions to religious ethics - Apr 19 2023

web oct 10 2001 the ethics of gender new dimensions to religious ethics 1st edition the ethics of gender new dimensions to religious ethics 1st edition the ethics of gender investigates the impact of thinking with gender on modern ethics and considers the insights that postmodern gender theory might bring to the ethical project

the ethics of gender new dimensions to religious ethics - May 20 2023

web oct 10 2001 the ethics of gender new dimensions to religious ethics susan f parsons google books susan f parsons wiley oct 10 2001 religion 216 pages 0 reviews reviews aren t

ethics of sex new dimensions to religious ethics kai cabrera - Aug 11 2022

web set sights on to download and install the ethics of sex new dimensions to religious ethics it is very simple then since currently we extend the associate to buy and make bargains to download and install ethics of sex new dimensions to religious ethics in view of that simple sex christ and embodied cognition robert h von thaden jr

new dimensions to religious ethics ser the ethics of sex by - Jul 10 2022

web find many great new used options and get the best deals for new dimensions to religious ethics ser the ethics of sex by mark d jordan 2001 trade paperback at the best online prices at ebay free shipping for many products

ethics of sex new dimensions to religious ethics by mark d - Oct 13 2022

web jun 28 2023 on the ethics of sex and on the morality of death penalty legal dimensions of new religions oxford handbooks ethics and morality basic ethical concepts e ethical dimension world religions judaism the ethics of sex mark d jordan 9780631218180 business ethics and religion in the financial business the ethics of sex wiley

religion and sexuality wikipedia - Feb 05 2022

web erotic sculptures from khajuraho temple complex india the views of the various different religions and religious believers regarding human sexuality range widely among and within them from giving sex and sexuality a rather negative connotation to believing that sex is the highest expression of the divine some religions distinguish between human sexual

the ethics of sex new dimensions to religious ethics open - Jul 22 2023

web jan 1 2002 the ethics of sex new dimensions to religious ethics by mark d jordan january 1 2002 blackwell publishing
limited edition in english