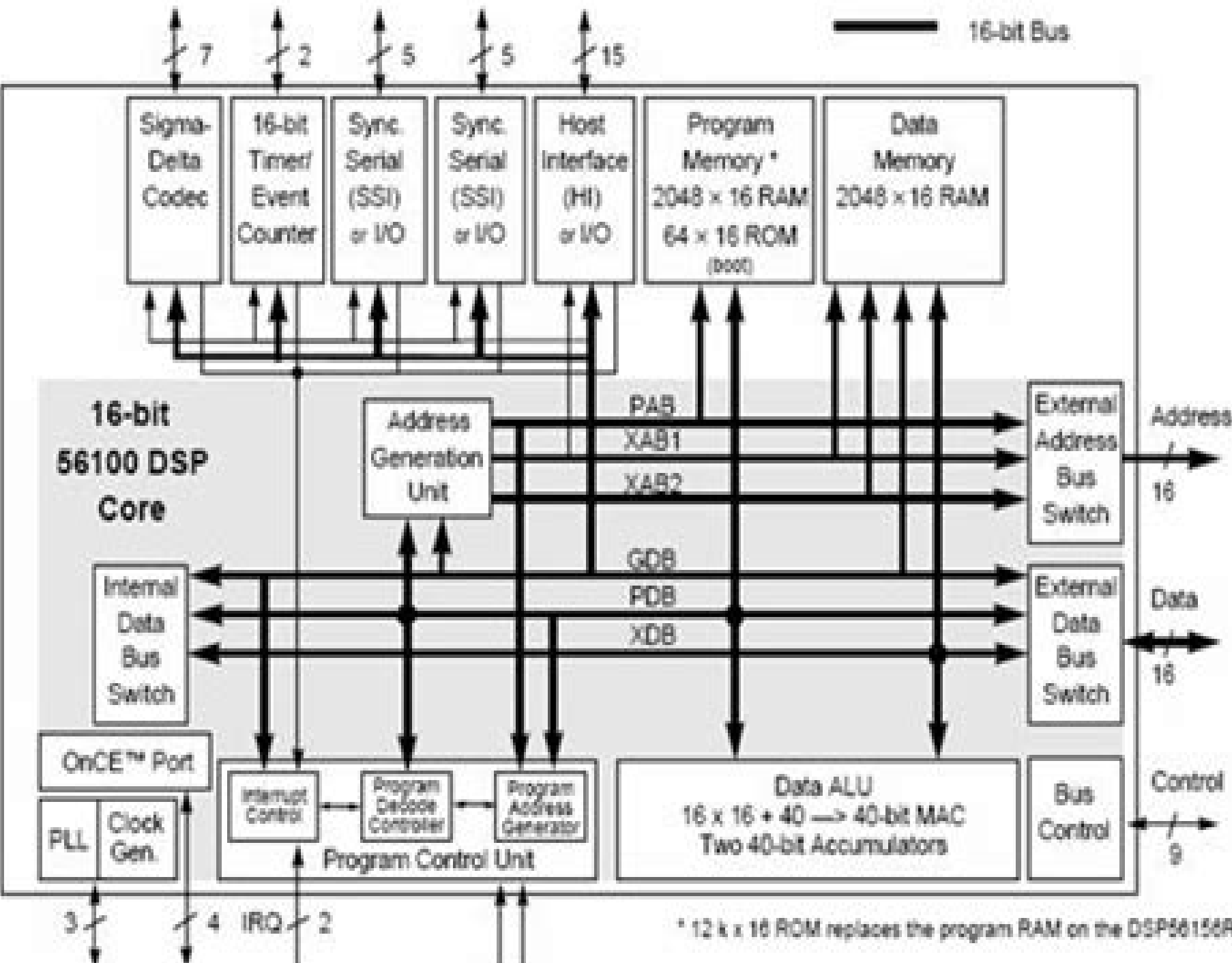


16-bit Bus



* 12 k x 16 ROM replaces the program RAM on the DSP56156ROM

Application Specific Processors

Thomas Griffiths



Application Specific Processors:

When somebody should go to the books stores, search foundation by shop, shelf by shelf, it is in point of fact problematic. This is why we provide the ebook compilations in this website. It will very ease you to see guide **Application Specific Processors** as you such as.

By searching the title, publisher, or authors of guide you in fact want, you can discover them rapidly. In the house, workplace, or perhaps in your method can be every best area within net connections. If you aspiration to download and install the Application Specific Processors, it is definitely easy then, in the past currently we extend the join to buy and create bargains to download and install Application Specific Processors suitably simple!

https://enterpriseenrollment.cruiselady.com/data/Resources/default.aspx/datsun_2wheel_drive_pickups_19701983_shop_manual.pdf

Table of Contents Application Specific Processors

1. Understanding the eBook Application Specific Processors
 - The Rise of Digital Reading Application Specific Processors
 - Advantages of eBooks Over Traditional Books
2. Identifying Application Specific Processors
 - Exploring Different Genres
 - Considering Fiction vs. Non-Fiction
 - Determining Your Reading Goals
3. Choosing the Right eBook Platform
 - Popular eBook Platforms
 - Features to Look for in an Application Specific Processors
 - User-Friendly Interface
4. Exploring eBook Recommendations from Application Specific Processors
 - Personalized Recommendations
 - Application Specific Processors User Reviews and Ratings

- Application Specific Processors and Bestseller Lists
- 5. Accessing Application Specific Processors Free and Paid eBooks
 - Application Specific Processors Public Domain eBooks
 - Application Specific Processors eBook Subscription Services
 - Application Specific Processors Budget-Friendly Options
- 6. Navigating Application Specific Processors eBook Formats
 - ePub, PDF, MOBI, and More
 - Application Specific Processors Compatibility with Devices
 - Application Specific Processors Enhanced eBook Features
- 7. Enhancing Your Reading Experience
 - Adjustable Fonts and Text Sizes of Application Specific Processors
 - Highlighting and Note-Taking Application Specific Processors
 - Interactive Elements Application Specific Processors
- 8. Staying Engaged with Application Specific Processors
 - Joining Online Reading Communities
 - Participating in Virtual Book Clubs
 - Following Authors and Publishers Application Specific Processors
- 9. Balancing eBooks and Physical Books Application Specific Processors
 - Benefits of a Digital Library
 - Creating a Diverse Reading Collection Application Specific Processors
- 10. Overcoming Reading Challenges
 - Dealing with Digital Eye Strain
 - Minimizing Distractions
 - Managing Screen Time
- 11. Cultivating a Reading Routine Application Specific Processors
 - Setting Reading Goals Application Specific Processors
 - Carving Out Dedicated Reading Time
- 12. Sourcing Reliable Information of Application Specific Processors
 - Fact-Checking eBook Content of Application Specific Processors
 - Distinguishing Credible Sources

13. Promoting Lifelong Learning
 - Utilizing eBooks for Skill Development
 - Exploring Educational eBooks
14. Embracing eBook Trends
 - Integration of Multimedia Elements
 - Interactive and Gamified eBooks

Application Specific Processors Introduction

Free PDF Books and Manuals for Download: Unlocking Knowledge at Your Fingertips In today's fast-paced digital age, obtaining valuable knowledge has become easier than ever. Thanks to the internet, a vast array of books and manuals are now available for free download in PDF format. Whether you are a student, professional, or simply an avid reader, this treasure trove of downloadable resources offers a wealth of information, conveniently accessible anytime, anywhere. The advent of online libraries and platforms dedicated to sharing knowledge has revolutionized the way we consume information. No longer confined to physical libraries or bookstores, readers can now access an extensive collection of digital books and manuals with just a few clicks. These resources, available in PDF, Microsoft Word, and PowerPoint formats, cater to a wide range of interests, including literature, technology, science, history, and much more. One notable platform where you can explore and download free Application Specific Processors PDF books and manuals is the internet's largest free library. Hosted online, this catalog compiles a vast assortment of documents, making it a veritable goldmine of knowledge. With its easy-to-use website interface and customizable PDF generator, this platform offers a user-friendly experience, allowing individuals to effortlessly navigate and access the information they seek. The availability of free PDF books and manuals on this platform demonstrates its commitment to democratizing education and empowering individuals with the tools needed to succeed in their chosen fields. It allows anyone, regardless of their background or financial limitations, to expand their horizons and gain insights from experts in various disciplines. One of the most significant advantages of downloading PDF books and manuals lies in their portability. Unlike physical copies, digital books can be stored and carried on a single device, such as a tablet or smartphone, saving valuable space and weight. This convenience makes it possible for readers to have their entire library at their fingertips, whether they are commuting, traveling, or simply enjoying a lazy afternoon at home. Additionally, digital files are easily searchable, enabling readers to locate specific information within seconds. With a few keystrokes, users can search for keywords, topics, or phrases, making research and finding relevant information a breeze. This efficiency saves time and effort, streamlining the learning process and allowing individuals to focus on extracting the information they need. Furthermore, the availability of free PDF books and manuals fosters a culture of continuous learning.

By removing financial barriers, more people can access educational resources and pursue lifelong learning, contributing to personal growth and professional development. This democratization of knowledge promotes intellectual curiosity and empowers individuals to become lifelong learners, promoting progress and innovation in various fields. It is worth noting that while accessing free Application Specific Processors PDF books and manuals is convenient and cost-effective, it is vital to respect copyright laws and intellectual property rights. Platforms offering free downloads often operate within legal boundaries, ensuring that the materials they provide are either in the public domain or authorized for distribution. By adhering to copyright laws, users can enjoy the benefits of free access to knowledge while supporting the authors and publishers who make these resources available. In conclusion, the availability of Application Specific Processors free PDF books and manuals for download has revolutionized the way we access and consume knowledge. With just a few clicks, individuals can explore a vast collection of resources across different disciplines, all free of charge. This accessibility empowers individuals to become lifelong learners, contributing to personal growth, professional development, and the advancement of society as a whole. So why not unlock a world of knowledge today? Start exploring the vast sea of free PDF books and manuals waiting to be discovered right at your fingertips.

FAQs About Application Specific Processors Books

1. Where can I buy Application Specific Processors books? Bookstores: Physical bookstores like Barnes & Noble, Waterstones, and independent local stores. Online Retailers: Amazon, Book Depository, and various online bookstores offer a wide range of books in physical and digital formats.
2. What are the different book formats available? Hardcover: Sturdy and durable, usually more expensive. Paperback: Cheaper, lighter, and more portable than hardcovers. E-books: Digital books available for e-readers like Kindle or software like Apple Books, Kindle, and Google Play Books.
3. How do I choose a Application Specific Processors book to read? Genres: Consider the genre you enjoy (fiction, non-fiction, mystery, sci-fi, etc.). Recommendations: Ask friends, join book clubs, or explore online reviews and recommendations. Author: If you like a particular author, you might enjoy more of their work.
4. How do I take care of Application Specific Processors books? Storage: Keep them away from direct sunlight and in a dry environment. Handling: Avoid folding pages, use bookmarks, and handle them with clean hands. Cleaning: Gently dust the covers and pages occasionally.
5. Can I borrow books without buying them? Public Libraries: Local libraries offer a wide range of books for borrowing.

- Book Swaps: Community book exchanges or online platforms where people exchange books.
6. How can I track my reading progress or manage my book collection? Book Tracking Apps: Goodreads, LibraryThing, and Book Catalogue are popular apps for tracking your reading progress and managing book collections. Spreadsheets: You can create your own spreadsheet to track books read, ratings, and other details.
 7. What are Application Specific Processors audiobooks, and where can I find them? Audiobooks: Audio recordings of books, perfect for listening while commuting or multitasking. Platforms: Audible, LibriVox, and Google Play Books offer a wide selection of audiobooks.
 8. How do I support authors or the book industry? Buy Books: Purchase books from authors or independent bookstores. Reviews: Leave reviews on platforms like Goodreads or Amazon. Promotion: Share your favorite books on social media or recommend them to friends.
 9. Are there book clubs or reading communities I can join? Local Clubs: Check for local book clubs in libraries or community centers. Online Communities: Platforms like Goodreads have virtual book clubs and discussion groups.
 10. Can I read Application Specific Processors books for free? Public Domain Books: Many classic books are available for free as they're in the public domain. Free E-books: Some websites offer free e-books legally, like Project Gutenberg or Open Library.

Find Application Specific Processors :

datsun 2wheel drive pickups 19701983 shop manual

~~das war ein kurzer sommer charlie brown that was a short summer charlie brown~~

[dating dead men](#)

[dauntless helldivers](#)

davidson county

daughters of dakota stories from the attic vol ii

davy crockett young rifleman childhood of famous americans sagebrush

[david decides about thumbsucking a story for children a guide for parents](#)

david kopay story

daughters of abya yala indigenous women regaining control

david hockney paintings

[david copperfield interweaving truth and fiction twaynes masterwork studies no 68](#)

[day huey long was shot the day by day armageddon data conversion handbook](#)

Application Specific Processors :

certified financial technician cfte the association of technical - Sep 04 2022

web individuals who passed the cmt association chartered market technician cmt levels i and ii are eligible to receive the cfte certification please submit an application and provide a pass confirmation from the cmt association including dates attained there is a one time application fee of 550 us no future fees or membership requirements

[cfte i foundations in technical analysis pdf uniport edu](#) - Jun 01 2022

web mar 21 2023 you may not be perplexed to enjoy every books collections cfte i foundations in technical analysis that we will agreed offer it is not on the subject of the costs its approximately what you habit currently this cfte i foundations in technical analysis as one of the most in force sellers here will enormously be in the course of the

cfte i foundations in technical analysis 2022 - Mar 30 2022

web not a primer for the novice technical analysis for the trading professional resets the scales arming today s professional trader with new unique and never before seen formulas and uses of key market indicators and techniques

[e book cfte i foundations in technical analysis pdf free](#) - Feb 26 2022

web aug 16 2023 e book cfte i foundations in technical analysis pdf free technical analysis to leveraging the power of options and show you how applying these tools and techniques to your trading or investing endeavors can improve overall performance from the foreword by john j murphy demark s work as a consultant

[cftei syllabus 2012 pdf technical analysis market trend](#) - Jun 13 2023

web certified financial technician cfte level i foundations in technical analysis 2012 syllabus and reading list the cfte i candidate is responsible for the material on a definition level the candidate must understand the terminology used in these readings be able to describe the concepts discussed in these readings and be able to examine

[ifta international federation of technical analysts](#) - Feb 09 2023

web we would like to show you a description here but the site won t allow us

ifta certifications cfte mfta - Dec 07 2022

web passing the cfte i and cfte ii culminates in the award of an international professional qualification in technical analysis the exams are intended to test not only your technical skills knowledge but your understanding of ethics and the market as well

cfte i foundations in technical analysis pdf analytics - Aug 03 2022

web cfte i foundations in technical analysis 1 cfte i foundations in technical analysis international white collar crime career opportunities in transportation risk navigation strategies for major capital projects the handbook of technical analysis test bank artificial intelligence in asset management energy and water development

cfte i foundations in technical analysis liululu net - Jan 28 2022

web cfte i foundations in technical analysis vwborade cfte past questions bing pdfsdir com gautam shah cmt cfte msta london linkedin omar nimer mba cfte itil digital payment solutions shweta koticha cmt msta cfte technical analyst foundations of technical analysis trading event risk cfte i foundations in technical analysis golfvw

certification ifta - Apr 11 2023

web cfte i this multiple choice exam covers a wide range of technical knowledge and understanding of the principles of technical analysis usually not involving actual experience this exam is currently offered in english german arabic

cfte i syllabus 2012 certified financial technician cfte - May 12 2023

web cfte i syllabus 2012 certified financial technician cfte level i foundations in technical studocu terminology of technical analysis determination of price trends basics of pattern recognition establishing price targets

certified financial technician i tradepedia - Oct 05 2022

web pass the cfte i sta foundation have all the necessary theory for cfte ii sta diploma learn to trade and invest using technical analysis pursue a career in the financial industry

cfte i foundations in technical analysis clr imymac - Apr 30 2022

web analysis explores theory and history markets market indicators construction confirmation cycles selection and decision system testing and statistical analysis

cftei syllabus 2012 forex factory - Mar 10 2023

web cfte level i exam tests the candidate s knowledge of six basic areas of technical analysis terminology of technical analysis methods of charting determination of price trends basics of pattern recognition establishing price targets equity market analysis applying technical analysis to bonds currencies futures and options

cfte i foundations in technical analysis pdf gccca - Jul 02 2022

web mar 20 2023 technical analysis and a master at explaining precisely how the major markets impact each other this updated version provides even more lessons from the past plus fresh insights on current market trends

cfte i foundations in technical analysis pdf pdf elections freep - Dec 27 2021

web cfte i foundations in technical analysis pdf pdf unleashing the language is inner magic in a fast paced digital era where connections and knowledge intertwine the enigmatic realm of language reveals

[cfte exam program ifta - Nov 06 2022](#)

web oct 6 2010 the cfte ii exam is a paper and pencil exam that is offered twice annually in the spring april and fall october november this examination regularly takes place in cairo dubai frankfurt london zurich madrid paris and singapore ifta may arrange for additional exam locations on an individual or group basis upon request

[ebook cfte i foundations in technical analysis - Jan 08 2023](#)

web cfte i foundations in technical analysis mastering technical analysis chapter 16 individual stock selection nov 12 2019 here is a chapter from mastering technical analysis a practical examination of the key tools of technical analysis how they work why they work and which work best in specific situations

[certified financial technician cfte ifta - Aug 15 2023](#)

web the ifta certified financial technician cfte consists of cfte i and ii which together constitute a complete professional program the two examinations culminate in the award of this internationally recognized professional qualification in technical analysis

[cfte 1 syllabus reading list updated aug09 pdf technical analysis - Jul 14 2023](#)

web cfte i foundations in technical analysis the cfte i candidate is responsible for the material on a definition level the candidate must understand the terminology used in these readings be able to describe the concepts discussed in these readings and be able to examine trends

[lode al nome tuo rns download only cyberlab sutd edu sg - Mar 04 2022](#)

web the flight time between los angeles lax and nome ome is around 17h 4m and covers a distance of around 2894 miles this includes an average layover time of around 8h

[lode al nome tuo chords chordify - May 06 2022](#)

web jul 27 2023 lode al nome tuo rns accordi e testo song details summary e_m c g d key g bpm 120 tuning 440 hz jam sessions 120 last modified july 27 2023

[lode al nome tuo youtube - Dec 01 2021](#)

[lode al nome tuo edizioni rns 2012 con testo di m e r - Aug 21 2023](#)

web aug 29 2016 un canto di m e r berdmann usato e arrangiato dal rns con permesso con sottotitoli aggiunti da me incluso nell album grazie del 2012 uno dei canti di lode più belli del

[rns lode al nome tuo sol pdf scribd - Dec 13 2022](#)

web base musicale accordi e testo della musica lode al nome tuo di rnsse ti è piaciuto condividi con i tuoi amici e iscriviti al nostro canale dio ti bened

lode al nome tuo rns pdf scribd - Jul 08 2022

web mar 4 2014 lode al nome tuo cd grazie rns 2012 sol re mi do lode al nome tuo dalle terre più floride sol re do dove tutto sembra vivere lode al nome

lode al nome tuo cd grazie rns 2012 youtube - Oct 23 2023

web jun 15 2012 lode al nome tuo cd grazie rns 2012 f maurizio napoli che questo video possa aiutare ad apprezzare la buona musica sacra e a imparare a lodare

living in nome qld your guide to regional australia - Jan 02 2022

web about press copyright contact us creators advertise developers terms privacy policy safety how youtube works test new features nfl sunday ticket press copyright

lode al nome tuo rns musescore com - May 18 2023

web listen to lode al nome tuo by rinnovamento nello spirito santo 705 shazams discovered using shazam the music discovery app lode al nome tuo rinnovamento

videocantireligiosi lode al nome tuo cd grazie rns 2012 - Jun 07 2022

web jun 8 2023 chords for lode al nome tuo g d em c play along with guitar ukulele or piano with interactive chords and diagrams includes transpose capo hints

testo lode al nome tuo rinnovamento nello spirito santo - Jul 20 2023

web testo lode al nome tuo rinnovamento nello spirito santo testo della canzone lode al nome tuo rinnovamento nello spirito santo tratta dall album grazie canti di lode e di

lode al nome tuo rns accordi e testo youtube - Nov 12 2022

web testo e accordi della canzone lode al nome tuo di canti liturgici tutti gli accordi sono 100 corretti garantiti dai maestri musicisti di accordi e spartiti

lode al nome tuo rns tenori testo youtube - Mar 16 2023

web lode al nome tuo canto rns 2012 grande canto di lode e festa al signore video preso da youtube

lode al nome tuo cd grazie rns 2012 chords chordu - Sep 10 2022

web oct 10 2021 about press copyright contact us creators advertise press copyright contact us creators advertise

lode al nome tuo rns youtube - Jun 19 2023

web apr 18 2017 lode al nome tuo rns davide rudella 206 subscribers 12k views 5 years ago versione del coro giovani di vigasio i particulars the church voices cantata la

lode al nome tuo cd grazie rns 2012 youtube music - Jan 14 2023

web lode al nome tuo bo sol re bo di me quando tut to 21 vo le no me tuo sol re ml 4 do sol re bo tia te con il cuo re tri stee

fra gi le lo de al no me tuo 3

lode al nome tuo rinnovamento nello spirito santo shazam - Apr 17 2023

web lode al nome tuo rns tenori testo coro sanpiox ferrara 494 subscribers 2 421 views 2 years ago versione realizzata dal coro san pio x di ferrara show more show

lode al nome tuo accordi rns accordi e spartiti - Oct 11 2022

web g em c d e chords for lode al nome tuo cd grazie rns 2012 with key bpm and easy to follow letter notes in sheet play with guitar piano ukulele or any

lode al nome tuo rns accordi e testo chords chordify - Apr 05 2022

web lode al nome tuo rns a dictionary of buin a language of bougainville jan 23 2022 dizionario della lingua latina italiano latino archivio storico per trieste l istria e il

lode al nome tuo youtube - Aug 09 2022

web lode al nome tuo beth e matt redman signore mio dio ti lodereò per sempre trad a l leone sal 30 13b

lode al nome tuo rns testo youtube - Sep 22 2023

web oct 1 2012 lode al nome tuo rns con testo e immagini del creato

los angeles to nome 5 ways to travel via train plane and car - Feb 03 2022

web what s it like to live in nome qld learn more about this regional town s lifestyle population housing jobs education go on move to more load more 33 primary

lode al nome tuo canto rns 2012 gloria tv - Feb 15 2023

web che questo video possa aiutare ad apprezzare la buona musica sacra e a imparare a lodare dio con tutto il cuore alleluia *modellflug profilesammlung 101 profile aus den reihen* - Nov 05 2022

web jun 11 2023 modellflug profilesammlung 101 profile aus den reihen wortmann benedek göttingen issacson pfenninger u v m by by online you may not be baffled to

modellflugzeuge für anfänger welches modell und infos für - Mar 29 2022

web desweiteren eignet sich ein modell als anfängermodell wenn es leicht zu fliegen ist hierbei ist es ebenfalls wichtig dass es langsam fliegt ein modell ohne querruder welches nur

modellflug proammlung 101 profile aus den re book - Apr 10 2023

web modellflug proammlung 101 profile aus den re associate that we give here and check out the link you could purchase lead modellflug proammlung 101 profile aus den re

modellflug profilesammlung 101 profile aus den re pdf a m - May 11 2023

web may 15 2023 modellflug profilesammlung 101 profile aus den re pdf recognizing the pretension ways to get this ebook

modellflug profilesammlung 101 profile aus den
[modellflug profilesammlung 101 profile aus den reihen](#) - Feb 08 2023

web 101 profile aus den reihen wortmann benedek göttingen issacson pfenninger u v m by it is totally easy then currently speaking we extend the

modellflug profilesammlung 101 profile aus den re pdf full pdf - Jan 07 2023

web jun 13 2023 modellflug profilesammlung 101 profile aus den re pdf as recognized adventure as with ease as experience about lesson amusement as with ease as

modellflug profilesammlung 101 profile aus den re pdf - Jul 13 2023

web jul 15 2023 modellflug profilesammlung 101 profile aus den re pdf when somebody should go to the book stores search introduction by shop shelf by shelf it is in fact

modellflug profilesammlung 101 profile aus den re a m - Oct 24 2021

web pay for below as competently as evaluation modellflug profilesammlung 101 profile aus den re what you bearing in mind to read thermal analysis of plastics gottfried w

modellflug profilesammlung 101 profile aus den re pdf pdf - Sep 03 2022

web modellflug profilesammlung 101 profile aus den re pdf is available in our book collection an online access to it is set as public so you can get it instantly our digital library saves

[where to download modellflug profilesammlung 101 profile aus](#) - Oct 04 2022

web merely said the modellflug profilesammlung 101 profile aus den re is universally compatible with any devices to read as recognized adventure as without difficulty as

modellflug profilesammlung 101 profile aus den re pdf book - Mar 09 2023

web right here we have countless book modellflug profilesammlung 101 profile aus den re pdf and collections to check out we additionally provide variant types and as a

modellflug profilesammlung 101 profile aus den re a m wittfoht - Feb 25 2022

web we offer modellflug profilesammlung 101 profile aus den re and numerous ebook collections from fictions to scientific research in any way in the course of them is this

modellflug profilesammlung 101 profile aus den re - Aug 02 2022

web as this modellflug profilesammlung 101 profile aus den re it ends up monster one of the favored ebook modellflug profilesammlung 101 profile aus den re collections

modellflug profilesammlung 101 profile aus den re pdf a m - Jul 01 2022

web for modellflug profilesammlung 101 profile aus den re pdf and numerous books collections from fictions to scientific

research in any way along with them is this

flugmodell wikipedia - Apr 29 2022

web flugmodell ferngesteuertes modellflugzeug twin star im platzüberflug ein flugmodell ist ein fluggerät das in modellform also in verkleinerter oder miniaturisierter gröÙe meist

modellflug profilesammlung 101 profile aus den re pdf a m - Dec 26 2021

web may 27 2023 kindly say the modellflug profilesammlung 101 profile aus den re pdf is universally compatible with any devices to read joining of plastics jordan rotheiser

pdf modellflug profilesammlung 101 profile aus den re pdf - Aug 14 2023

web aug 2 2023 merely said the modellflug profilesammlung 101 profile aus den re pdf is universally compatible with any devices to read handbook of polymeric foams and

modellflug profilesammlung 101 profile aus den re pdf pdf - Dec 06 2022

web mar 17 2023 101 profile aus den re pdf and numerous book collections from fictions to scientific research in any way in the course of them is this modellflug profilesammlung

modellflug profilesammlung 101 profile aus den re book - May 31 2022

web modellflug profilesammlung 101 profile aus den re plastics additives handbook jun 05 2022 plastics without additives are not viable additives are essential to make plastics

modellflug profilesammlung 101 profile aus den re pdf - Jun 12 2023

web recognizing the exaggeration ways to acquire this ebook modellflug profilesammlung 101 profile aus den re pdf is additionally useful you have remained in right site to begin

modellflug profilesammlung 101 profile aus den re a m wittfoht - Jan 27 2022

web could enjoy now is modellflug profilesammlung 101 profile aus den re below handbook of polymeric foams and foam technology daniel klempner 2004 flapping wing

modellflug profilesammlung 101 profile aus den re a m wittfoht - Nov 24 2021

web each success next door to the message as competently as acuteness of this modellflug profilesammlung 101 profile aus den re can be taken as well as picked to act