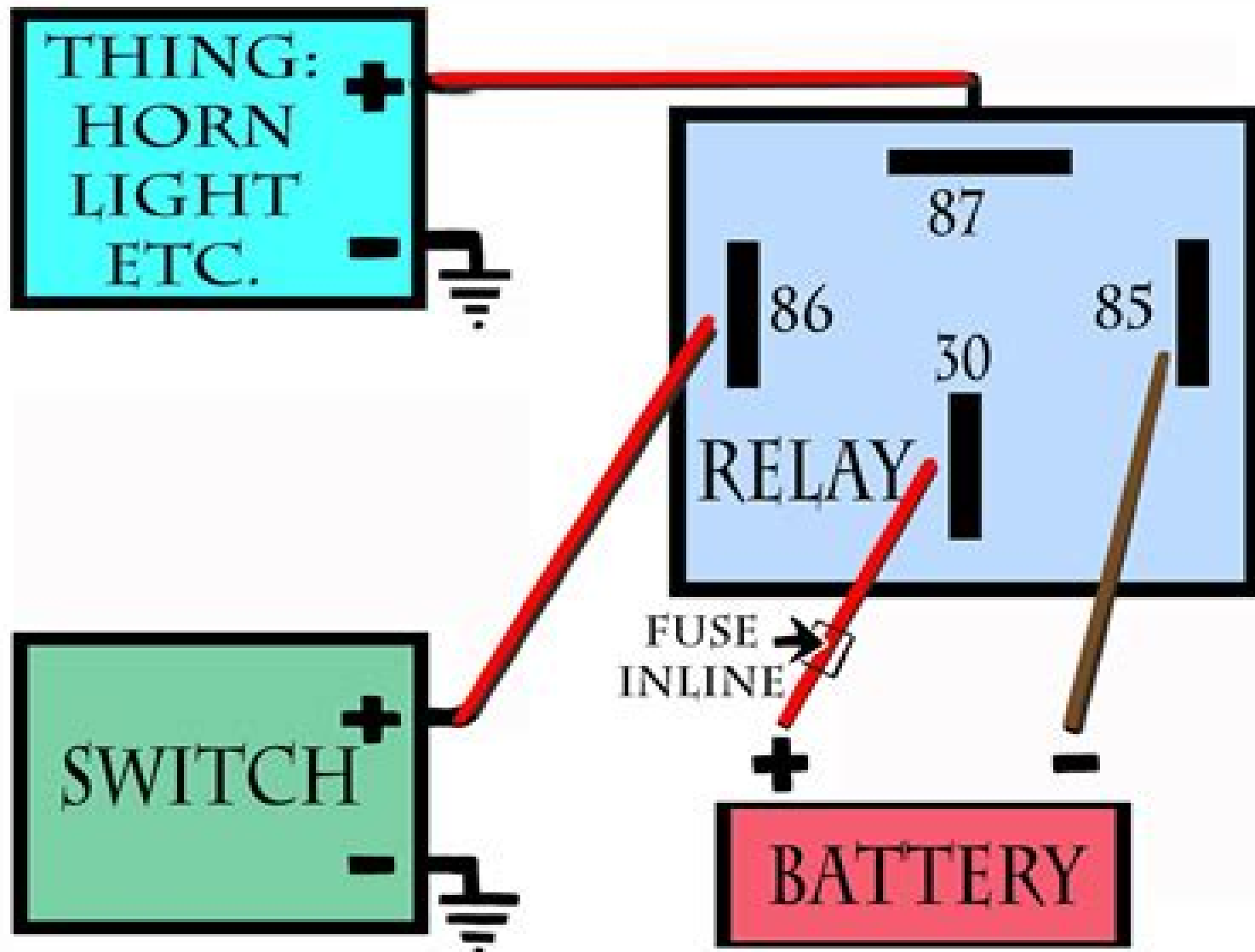


BASIC RELAY CONNECTIONS



Basic Connections

JG Myers



Basic Connections:

Recognizing the quirk ways to acquire this ebook **Basic Connections** is additionally useful. You have remained in right site to start getting this info. get the Basic Connections link that we give here and check out the link.

You could purchase lead Basic Connections or get it as soon as feasible. You could quickly download this Basic Connections after getting deal. So, in imitation of you require the book swiftly, you can straight get it. Its hence unconditionally simple and suitably fats, isnt it? You have to favor to in this proclaim

<https://enterpriseenrollment.cruiselady.com/About/detail/Documents/Bomber%20Offensive%20The%20Exciting%20Saga%20Of%20Th.pdf>

Table of Contents Basic Connections

1. Understanding the eBook Basic Connections
 - The Rise of Digital Reading Basic Connections
 - Advantages of eBooks Over Traditional Books
2. Identifying Basic Connections
 - Exploring Different Genres
 - Considering Fiction vs. Non-Fiction
 - Determining Your Reading Goals
3. Choosing the Right eBook Platform
 - Popular eBook Platforms
 - Features to Look for in an Basic Connections
 - User-Friendly Interface
4. Exploring eBook Recommendations from Basic Connections
 - Personalized Recommendations
 - Basic Connections User Reviews and Ratings
 - Basic Connections and Bestseller Lists
5. Accessing Basic Connections Free and Paid eBooks

- Basic Connections Public Domain eBooks
 - Basic Connections eBook Subscription Services
 - Basic Connections Budget-Friendly Options
6. Navigating Basic Connections eBook Formats
 - ePub, PDF, MOBI, and More
 - Basic Connections Compatibility with Devices
 - Basic Connections Enhanced eBook Features
 7. Enhancing Your Reading Experience
 - Adjustable Fonts and Text Sizes of Basic Connections
 - Highlighting and Note-Taking Basic Connections
 - Interactive Elements Basic Connections
 8. Staying Engaged with Basic Connections
 - Joining Online Reading Communities
 - Participating in Virtual Book Clubs
 - Following Authors and Publishers Basic Connections
 9. Balancing eBooks and Physical Books Basic Connections
 - Benefits of a Digital Library
 - Creating a Diverse Reading Collection Basic Connections
 10. Overcoming Reading Challenges
 - Dealing with Digital Eye Strain
 - Minimizing Distractions
 - Managing Screen Time
 11. Cultivating a Reading Routine Basic Connections
 - Setting Reading Goals Basic Connections
 - Carving Out Dedicated Reading Time
 12. Sourcing Reliable Information of Basic Connections
 - Fact-Checking eBook Content of Basic Connections
 - Distinguishing Credible Sources
 13. Promoting Lifelong Learning
 - Utilizing eBooks for Skill Development

- Exploring Educational eBooks
14. Embracing eBook Trends
- Integration of Multimedia Elements
 - Interactive and Gamified eBooks

Basic Connections Introduction

In the digital age, access to information has become easier than ever before. The ability to download Basic Connections has revolutionized the way we consume written content. Whether you are a student looking for course material, an avid reader searching for your next favorite book, or a professional seeking research papers, the option to download Basic Connections has opened up a world of possibilities. Downloading Basic Connections provides numerous advantages over physical copies of books and documents. Firstly, it is incredibly convenient. Gone are the days of carrying around heavy textbooks or bulky folders filled with papers. With the click of a button, you can gain immediate access to valuable resources on any device. This convenience allows for efficient studying, researching, and reading on the go. Moreover, the cost-effective nature of downloading Basic Connections has democratized knowledge. Traditional books and academic journals can be expensive, making it difficult for individuals with limited financial resources to access information. By offering free PDF downloads, publishers and authors are enabling a wider audience to benefit from their work. This inclusivity promotes equal opportunities for learning and personal growth. There are numerous websites and platforms where individuals can download Basic Connections. These websites range from academic databases offering research papers and journals to online libraries with an expansive collection of books from various genres. Many authors and publishers also upload their work to specific websites, granting readers access to their content without any charge. These platforms not only provide access to existing literature but also serve as an excellent platform for undiscovered authors to share their work with the world. However, it is essential to be cautious while downloading Basic Connections. Some websites may offer pirated or illegally obtained copies of copyrighted material. Engaging in such activities not only violates copyright laws but also undermines the efforts of authors, publishers, and researchers. To ensure ethical downloading, it is advisable to utilize reputable websites that prioritize the legal distribution of content. When downloading Basic Connections, users should also consider the potential security risks associated with online platforms. Malicious actors may exploit vulnerabilities in unprotected websites to distribute malware or steal personal information. To protect themselves, individuals should ensure their devices have reliable antivirus software installed and validate the legitimacy of the websites they are downloading from. In conclusion, the ability to download Basic Connections has transformed the way we access information. With the convenience, cost-effectiveness, and accessibility it offers, free PDF downloads have become a popular choice for students, researchers, and book lovers worldwide. However, it

is crucial to engage in ethical downloading practices and prioritize personal security when utilizing online platforms. By doing so, individuals can make the most of the vast array of free PDF resources available and embark on a journey of continuous learning and intellectual growth.

FAQs About Basic Connections Books

How do I know which eBook platform is the best for me? Finding the best eBook platform depends on your reading preferences and device compatibility. Research different platforms, read user reviews, and explore their features before making a choice. Are free eBooks of good quality? Yes, many reputable platforms offer high-quality free eBooks, including classics and public domain works. However, make sure to verify the source to ensure the eBook credibility. Can I read eBooks without an eReader? Absolutely! Most eBook platforms offer webbased readers or mobile apps that allow you to read eBooks on your computer, tablet, or smartphone. How do I avoid digital eye strain while reading eBooks? To prevent digital eye strain, take regular breaks, adjust the font size and background color, and ensure proper lighting while reading eBooks. What the advantage of interactive eBooks? Interactive eBooks incorporate multimedia elements, quizzes, and activities, enhancing the reader engagement and providing a more immersive learning experience. Basic Connections is one of the best book in our library for free trial. We provide copy of Basic Connections in digital format, so the resources that you find are reliable. There are also many Ebooks of related with Basic Connections. Where to download Basic Connections online for free? Are you looking for Basic Connections PDF? This is definitely going to save you time and cash in something you should think about. If you trying to find then search around for online. Without a doubt there are numerous these available and many of them have the freedom. However without doubt you receive whatever you purchase. An alternate way to get ideas is always to check another Basic Connections. This method for see exactly what may be included and adopt these ideas to your book. This site will almost certainly help you save time and effort, money and stress. If you are looking for free books then you really should consider finding to assist you try this. Several of Basic Connections are for sale to free while some are payable. If you arent sure if the books you would like to download works with for usage along with your computer, it is possible to download free trials. The free guides make it easy for someone to free access online library for download books to your device. You can get free download on free trial for lots of books categories. Our library is the biggest of these that have literally hundreds of thousands of different products categories represented. You will also see that there are specific sites catered to different product types or categories, brands or niches related with Basic Connections. So depending on what exactly you are searching, you will be able to choose e books to suit your own need. Need to access completely for Campbell Biology Seventh Edition book? Access Ebook without any digging. And by having access to our ebook online or by storing it

on your computer, you have convenient answers with Basic Connections To get started finding Basic Connections, you are right to find our website which has a comprehensive collection of books online. Our library is the biggest of these that have literally hundreds of thousands of different products represented. You will also see that there are specific sites catered to different categories or niches related with Basic Connections So depending on what exactly you are searching, you will be able to choose ebook to suit your own need. Thank you for reading Basic Connections. Maybe you have knowledge that, people have search numerous times for their favorite readings like this Basic Connections, but end up in harmful downloads. Rather than reading a good book with a cup of coffee in the afternoon, instead they juggled with some harmful bugs inside their laptop. Basic Connections is available in our book collection an online access to it is set as public so you can download it instantly. Our digital library spans in multiple locations, allowing you to get the most less latency time to download any of our books like this one. Merely said, Basic Connections is universally compatible with any devices to read.

Find Basic Connections :

bomber offensive the exciting saga of th

book unbound editing and reading medieval manuscripts and texts

book of lovers men who excite women women who excite men

bono in conversation

book of fairy poetry

bombay boomerang

book of united states navy ships

book of video lists

book of dreams how to interpret your dr

book of snuff snuff boxes

book of feckin irish slang thats great craic for cute hoors and bowsies

book of love and pain thinking at the limit with freud and lacan pb

book of facts and records

bone and soft tibue tumours

book of the earth

Basic Connections :

being prepared a vital part of disaster management class 8 - Jan 31 2022

introduction of ncert solutions cyclones disaster management class 8 in english is available as part of our class 8 social science by vp classes for class 8 ncert

floods disaster management class 8 ncert solutions edurev - Apr 02 2022

introduction of ncert solutions earthquakes disaster management class 8 in english is available as part of our class 8 social science by vp classes for class 8 ncert

disaster management in india types of disaster management - Oct 28 2021

oct 16 2023 indian society complete course on governance social justice for upsc cse gs arvindsingh rajpurohit starts on 29th dec understand the concept of ncert part iv

cbse class 8 disaster management being prepared - Feb 12 2023

welcome to the online textbooks section this online service offers easy access to the ncert textbooks the service covers textbooks of all subjects published by ncert for classes i to

cbse class 8 disaster management earthquakes studiestoday - Mar 13 2023

read and download cbse class 8 disaster management being prepared in ncert book for class 8 social science you can download latest ncert ebooks chapter wise in pdf format

cbse central board of secondary education - Jul 17 2023

ncert sri aurobindo marg new delhi 110016 dceta ncert nic in 91 8800440559 91 8448440632 important helpline numbers women helpline number 7827170170

cbse class 11 ncert part iv concepts explained on - Sep 26 2021

cbse class 8 social science disaster management notes - Jul 05 2022

in supplementary textbook on disaster management in geography the board intends to explain in detail various concepts used in disaster management and discussed about the causes

download cbse text books disaster management viii - May 03 2022

ans improving engineering design in construction of dams preparing evacuation spots beforehand keeping emergency kits ready q 3 how can communities

cyclones disaster management class 8 ncert solutions - Dec 30 2021

students can find the selina geography class 8 solutions disaster management in pdf from the selfstudys website steps to refer are explained below open the selfstudys website click

ncert - Jun 16 2023

your experiences on disaster management in classes viii and ix must have helped you by now to have a better understanding of various hazards their causes and impact and knowing the

[cbse class 8 disaster management being prepared](#) - Apr 14 2023

26th january 2001 many bridges and roads were damaged this earthquake with its epicentre at bhuj occurred along a fault in the east west direction the stress that caused this earthquake

view pdf cbse class 8 disaster management drought - Aug 06 2022

class 8 social science students should refer to the following concepts and notes for disaster management in class 8 these exam notes for class 8 social science will be very useful for

[ncert book class 8 disaster management pdf scribd](#) - Sep 07 2022

read and download cbse class 8 disaster management drought chapter in ncert book for class 8 social science you can download latest ncert ebooks chapter wise in pdf format

a stride ahead cbse - May 15 2023

disaster management the range of activities designed to mitigate the effects of disasters and emergency situations and to provide a framework for helping people at risk to avoid or recover

[cbse class 8 disaster management manmade disaster](#) - Oct 08 2022

disaster management the range of activities designed to mitigate the effects of disasters and emergency situations and to provide a framework for helping people at risk to avoid or

[selina geography class 8 disaster management solutions pdf](#) - Nov 28 2021

upsc preparation strategy disaster management india disaster management in india disruption on a massive scale either natural or man made occurring in short or long periods

[earthquakes disaster management class 8 ncert solutions](#) - Mar 01 2022

information about ncert solutions being prepared a vital part of disaster management class 8 in this doc you can find the meaning of ncert solutions being prepared a vital

cbse class 8 disaster management earthquakes studiestoday - Nov 09 2022

read and download cbse class 8 disaster management manmade disaster in ncert book for class 8 social science you can download latest ncert ebooks chapter wise in pdf

[ncert](#) - Jan 11 2023

the book disaster management contains 6 chapters for class 8 students there are approximately 60 questions in the book you can access textbook questions as well as

[download ncert book for class viii disaster management](#) - Aug 18 2023

created date 11 13 2013 4 52 54 pm

[natural hazards disaster management](#) - Jun 04 2022

download cbse text books disaster management viii disclaimer this website is not associated with cbse for official website of cbse visit cbse gov in cbse text books

disaster management ncert solutions for class 8 cbse zigya - Dec 10 2022

read and download cbse class 8 disaster management earthquakes in ncert book for class 8 social science you can download latest ncert ebooks chapter wise in pdf format

unit iv ncert - Sep 19 2023

1 being prepared a vital part of disaster management 1 2 earthquakes 9 3 cyclones 19 4 floods 28 5 drought 39 6 manmade disasters an overview 50 printed study material for

l intestino felice giulia enders macrolibrarsi - Jun 13 2023

web l intestino felice è un viaggio istruttivo e divertente attraverso il sistema digestivo scopriremo perché ingrassiamo perché ci vengono le allergie e perché siamo tutti sempre più colpiti da intolleranze alimentari

[l intestino felice di giulia enders l angolino di ale](#) - Mar 30 2022

web may 18 2015 se i tuoi nervi intestinali sono timidi e lenti oppure vuoi capire qual è la correlazione tra batteri intestinali e metabolismo l intestino felice di giulia enders fa decisamente per te e ora raccontami il tuo intestino è davvero felice

felice italian restaurant felice astana on instagram 570 - Dec 27 2021

web 5 743 followers 7 following 570 posts see instagram photos and videos from felice italian restaurant felice astana felice astana follow 570 posts 5 743 followers 7 following felice italian restaurant italian restaurant italian traditions best wine

l intestino felice i segreti dell organo meno conosciuto del nostro - May 12 2023

web l intestino felice è un viaggio istruttivo e divertente attraverso il sistema digestivo scopriremo perché ingrassiamo perché ci vengono le allergie e perché siamo tutti sempre più colpiti da intolleranze alimentari

l intestino felice dieta fodmap e sindrome dell intestino irritabile - Apr 30 2022

web la sindrome dell intestino irritabile sii è un disturbo gastrointestinale molto comune che colpisce fra il 15 e il 20 della popolazione mondiale

[l intestino felice e i suoi segreti humanitas salute](#) - Sep 04 2022

web jul 6 2015 l intestino è rispettoso e timido quando è felice perché non si sente mentre diventa rumoroso e ingombrante quando non lo è È vero che ha tanti segreti ma le ricerche scientifiche e i

l intestino felice i segreti dell organo meno conosciuto del nostro - Dec 07 2022

web È proprio a questo punto che entra in gioco l'intestino felice scanzonato quanto illuminante questo testo fa emergere il carattere timido del tubo digerente che segue allo stomaco spesso bistrattato lui si vendica espellendo gas o

I intestino felice dieta fodmap e sindrome dell'intestino - Jan 08 2023

web l'intestino felice dieta fodmap e sindrome dell'intestino irritabile bautista trigueros mario mancarelli maria michela amazon com tr kitap

I intestino felice i segreti dell'organo meno conosciuto del nostro - Jul 02 2022

web se lo trattiamo bene lui ci ringrazia e ci fa del bene l'intestino allena due terzi del nostro sistema immunitario dal cibo ricava energia per consentire al nostro corpo di vivere e possiede il sistema nervoso pi esteso dopo quello del cervello

perché se l'intestino è felice migliora l'umore elle - Apr 11 2023

web jan 15 2021 l'importanza dell'intestino felice come spiegano lucia de stefano e sophie langley consulenti nutrizionali di exante quella che comunemente chiamiamo flora intestinale equivalente al

I intestino felice i segreti dell'organo meno conosciuto del nostro - Feb 26 2022

web l'intestino felice i segreti dell'organo meno conosciuto del nostro corpo nuova ediz enders giulia enders jill bertante paola amazon com be livres

I intestino felice istituto medicina biologica - Jan 28 2022

web jun 27 2014 l'intestino felice june 27 2014 nella pancia lavora il nostro più grande organo interno l'intestino condivide con noi la vita cosciente le emozioni i pensieri ci nutre e sostiene eppure ci accorgiamo della sua presenza solo nei in momenti di malessere come in caso di colite e gastroenterite

[l'intestino felice di giulia enders youtube](#) - Oct 05 2022

web mar 26 2015 l'intestino felice è un viaggio divertente e istruttivo attraverso il sistema digestivo scopri il libro sonzognoeditors it component marsilio l

l'intestino felice by giulia enders goodreads - Feb 09 2023

web read 4 312 reviews from the world s largest community for readers l'intestino è un organo pieno di sensibilità responsabilità e volontà di rendersi utile

l'intestino felice i segreti dell'organo meno conosciuto del nostro - Aug 15 2023

web l'intestino felice è un viaggio istruttivo e divertente attraverso il sistema digestivo scopriremo perché ingrassiamo perché ci vengono le allergie e perché siamo tutti sempre più colpiti da intolleranze alimentari

l'intestino felice i segreti dell'organo meno conosciuto del nostro - Mar 10 2023

web l'intestino felice è un viaggio istruttivo e divertente attraverso il sistema digestivo scopriremo perché ingrassiamo perché ci vengono le allergie e perché siamo tutti sempre più colpiti da intolleranze alimentari

pdf epub l intestino felice i segreti dell organo gratis - Jul 14 2023

web l intestino felice è un viaggio istruttivo e divertente attraverso il sistema digestivo scopriremo perché ingrassiamo perché ci vengono le allergie e perché siamo tutti sempre più colpiti da intolleranze alimentari dettagli e book l intestino felice i segreti dell organo meno conosciuto del nostro corpo nuova ediz

l intestino felice dieta fodmap e sindrome dell intestino irritabile - Nov 06 2022

web l intestino felice dieta fodmap e sindrome dell intestino irritabile copertina flessibile 20 gennaio 2015 di mario bautista trigueros autore maria michela mancarelli autore 4 0 su 5 stelle 118 voti

giulia enders l intestino felice spot tv youtube - Aug 03 2022

web l intestino è un organo sensibile scopri i suoi segreti con l intestino felice di giulia enders sonzogno 6 edizioni 75 000 copie in uscita in 30 paes

recensione di l intestino felice di giulia enders leggere a colori - Jun 01 2022

web sep 15 2015 l intestino è un organo pieno di sensibilità responsabilità e volontà di rendersi utile se lo trattiamo bene lui ci ringrazia e ci fa del bene l intestino allena due terzi del nostro sistema immunitario dal cibo ricava

read free the little book of danny dyer the wit and wisdom - Feb 24 2022

web outbursts and with them he has captured all of our hearts the little book of danny dyer is a collection of his most iconic quotes on politics fitness parenting and the important things in life from brexit to philosophising about how we wouldn t be able to eat sandwiches if we didn t have thumbs the little book of danny dyer is

the little book of danny dyer the wit and wisdom of the - Feb 07 2023

web the little book of danny dyer the wit and wisdom of the diamond geezer ebook written by various read this book using google play books app on your pc android ios devices download for

the little book of danny dyer the wit and wisdom of th - Sep 14 2023

web apr 14 2020 the little book of danny dyer is a collection of his most iconic quotes on politics fitness parenting and the important things in life from brexit to philosophising about how we wouldn t be able to eat sandwiches if we didn t have thumbs the little book of danny dyer is the perfect gift for fans of this wise cracking national

the little book of danny dyer the wit and wisdom of the - Aug 13 2023

web the little book of danny dyer the wit and wisdom of the diamond geezer various amazon sg books

the little book of danny dyer the wit and wisdom of the - Sep 02 2022

web aug 11 2020 the little book of danny dyer the wit and wisdom of the diamond geezer orion publishing group on amazon com free shipping on qualifying offers the little book of danny dyer the wit and wisdom of the diamond geezer

the little book of danny dyer the wit and wisdom of the - Jun 11 2023

web may 30 2019 the little book of danny dyer the wit and wisdom of the diamond geezer ebook various amazon co uk books

buy the little book of danny dyer the wit and wisdom of the - Mar 28 2022

web buy the little book of danny dyer the wit and wisdom of the diamond geezer hardcover book by orion p group from as low as 6 14 buy 3 get 1 free our best sale yet

the little book of danny dyer bookshare - Oct 03 2022

web may 30 2019 the little book of danny dyer is a collection of his most iconic quotes on politics fitness parenting and the important things in life from brexit to philosophising about how we wouldn t be able to eat sandwiches if we didn t have thumbs the little book of danny dyer is the perfect gift for fans of this wise cracking national

[the little book of danny dyer the wit and wisdom of the](#) - Mar 08 2023

web the little book of danny dyer is a collection of his most iconic quotes on politics fitness parenting and the important things in life from brexit to philosophising about how we wouldn t be able to eat sandwiches if we didn t have thumbs the little book of danny dyer is the perfect gift for fans of this wise cracking national treasure

9781409192930 the little book of danny dyer the wit and wisdom - Jan 06 2023

web the little book of danny dyer is a collection of his most iconic quotes on politics fitness parenting and the important things in life from brexit to philosophising about how we wouldn t be able to eat sandwiches if we didn t have thumbs the little book of danny dyer is the perfect gift for fans of this wise cracking national treasure

the wit and the wisdom of danny dyer the telegraph - Apr 28 2022

web nov 5 2015 the wit and the wisdom of danny dyer as the east ender releases his second book we take a look at some of the insightful comedic and controversial dyerisms contained within its pages

the little book of danny dyer the wit and wisdom of the - Dec 05 2022

web the little book of danny dyer the wit and wisdom of the diamond geezer ebook various amazon in kindle store

the little book of danny dyer the wit and wisdom of the - Aug 01 2022

web the little book of danny dyer the wit and wisdom of the diamond geezer various on amazon com au free shipping on eligible orders the little book of danny dyer the wit and wisdom of the diamond geezer

the little book of danny dyer the wit and wisdom of the - Apr 09 2023

web may 30 2019 if the body is a temple at the moment mine s a windowless shed danny dyer actor and descendant of william the conqueror is the nation s

the little book of danny dyer the wit and wisdom of the - Jul 12 2023

web may 30 2019 the little book of danny dyer the wit and wisdom of the diamond geezer various amazon co uk books

the little book of danny dyer the wit and wisdom of the - Oct 15 2023

web may 28 2019 the little book of danny dyer is a collection of his most iconic quotes on politics fitness parenting and the important things in life from brexit to philosophising about how we wouldn t be able to eat sandwiches if we didn t have thumbs the little book of danny dyer is the perfect gift for fans of this wise cracking

the little book of danny dyer the wit and wisdom of the - Jun 30 2022

web if the body is a temple at the moment mine s a windowless shed danny dyer actor and descendant of william the conqueror is the nation s favourite geezer well known for his cutting one liners and amusing outbursts and with them he has captured all of our hearts the little book of danny dyer is a collection of his most iconic quotes on

the little book of danny dyer the wit and wisdom of the - May 10 2023

web the little book of danny dyer is a collection of his most iconic quotes on politics fitness parenting and the important things in life from brexit to philosophising about how we wouldn t be able to eat sandwiches if we didn t have thumbs the little book of danny dyer is the perfect gift for fans of this wise cracking national treasure

the little book of danny dyer the wit and wisdom of the - Nov 04 2022

web may 30 2019 amazon com the little book of danny dyer the wit and wisdom of the diamond geezer ebook various kindle store

the little book of danny dyer the wit and wisdom of the - May 30 2022

web buy the little book of danny dyer the wit and wisdom of the diamond geezer by various online on amazon ae at best prices fast and free shipping free returns cash on delivery available on eligible purchase