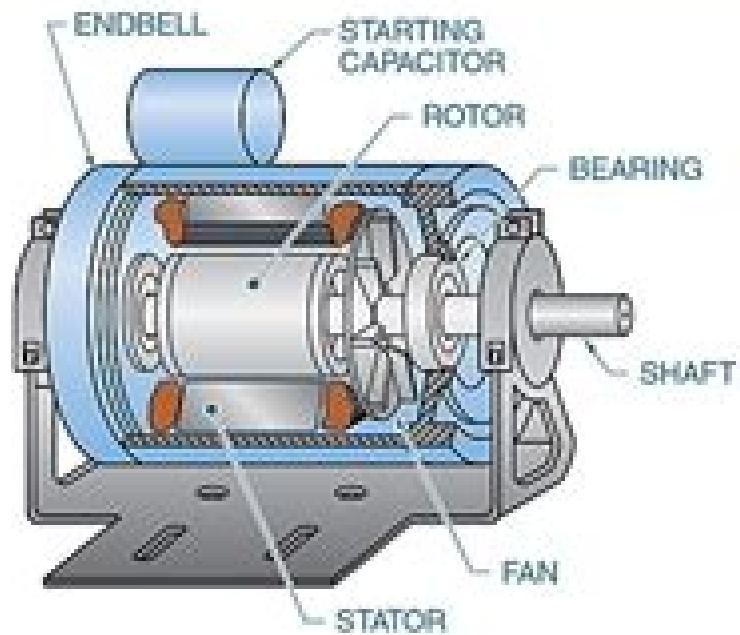


# AC MOTORS



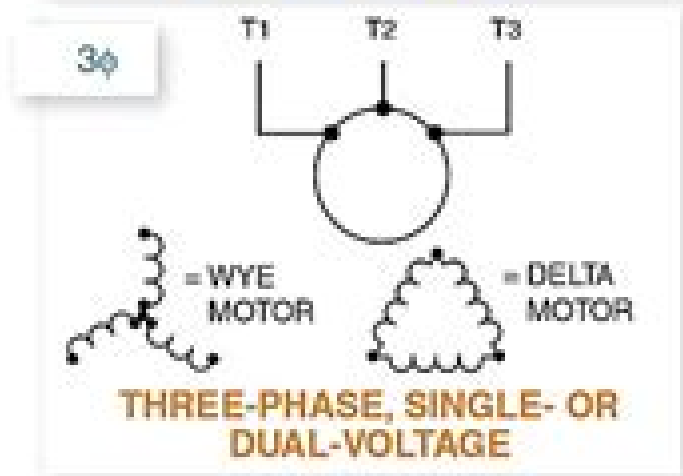
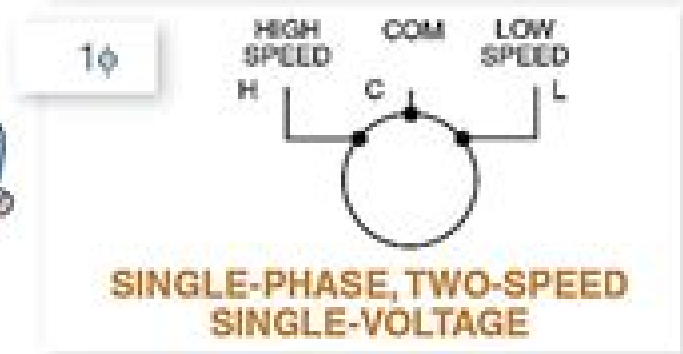
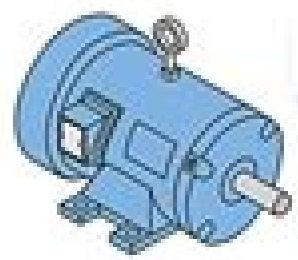
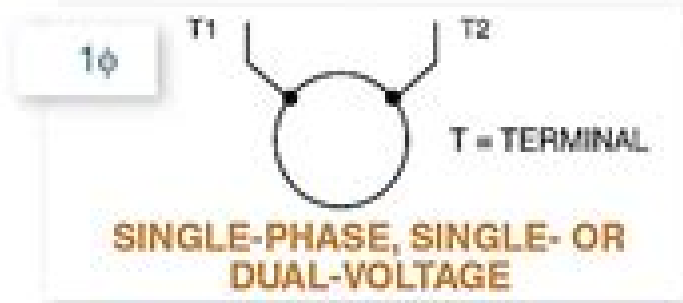
**SINGLE-PHASE (1 $\phi$ )**



*GE Motors & Industrial Systems*

**THREE-PHASE (3 $\phi$ )**

## Alternating Current Motor Symbols



# Alternating Current Motor Repair

**TD Snyder**



## **Alternating Current Motor Repair:**

Thank you enormously much for downloading **Alternating Current Motor Repair**. Maybe you have knowledge that, people have look numerous period for their favorite books as soon as this Alternating Current Motor Repair, but end taking place in harmful downloads.

Rather than enjoying a fine book in the same way as a cup of coffee in the afternoon, then again they juggled like some harmful virus inside their computer. **Alternating Current Motor Repair** is welcoming in our digital library an online right of entry to it is set as public thus you can download it instantly. Our digital library saves in multiple countries, allowing you to acquire the most less latency times to download any of our books behind this one. Merely said, the Alternating Current Motor Repair is universally compatible subsequent to any devices to read.

<https://enterpriseenrollment.cruiselady.com/files/detail/index.jsp/crossing%20the%20river.pdf>

## **Table of Contents Alternating Current Motor Repair**

1. Understanding the eBook Alternating Current Motor Repair
  - The Rise of Digital Reading Alternating Current Motor Repair
  - Advantages of eBooks Over Traditional Books
2. Identifying Alternating Current Motor Repair
  - Exploring Different Genres
  - Considering Fiction vs. Non-Fiction
  - Determining Your Reading Goals
3. Choosing the Right eBook Platform
  - Popular eBook Platforms
  - Features to Look for in an Alternating Current Motor Repair
  - User-Friendly Interface
4. Exploring eBook Recommendations from Alternating Current Motor Repair
  - Personalized Recommendations
  - Alternating Current Motor Repair User Reviews and Ratings

- Alternating Current Motor Repair and Bestseller Lists
- 5. Accessing Alternating Current Motor Repair Free and Paid eBooks
  - Alternating Current Motor Repair Public Domain eBooks
  - Alternating Current Motor Repair eBook Subscription Services
  - Alternating Current Motor Repair Budget-Friendly Options
- 6. Navigating Alternating Current Motor Repair eBook Formats
  - ePub, PDF, MOBI, and More
  - Alternating Current Motor Repair Compatibility with Devices
  - Alternating Current Motor Repair Enhanced eBook Features
- 7. Enhancing Your Reading Experience
  - Adjustable Fonts and Text Sizes of Alternating Current Motor Repair
  - Highlighting and Note-Taking Alternating Current Motor Repair
  - Interactive Elements Alternating Current Motor Repair
- 8. Staying Engaged with Alternating Current Motor Repair
  - Joining Online Reading Communities
  - Participating in Virtual Book Clubs
  - Following Authors and Publishers Alternating Current Motor Repair
- 9. Balancing eBooks and Physical Books Alternating Current Motor Repair
  - Benefits of a Digital Library
  - Creating a Diverse Reading Collection Alternating Current Motor Repair
- 10. Overcoming Reading Challenges
  - Dealing with Digital Eye Strain
  - Minimizing Distractions
  - Managing Screen Time
- 11. Cultivating a Reading Routine Alternating Current Motor Repair
  - Setting Reading Goals Alternating Current Motor Repair
  - Carving Out Dedicated Reading Time
- 12. Sourcing Reliable Information of Alternating Current Motor Repair
  - Fact-Checking eBook Content of Alternating Current Motor Repair
  - Distinguishing Credible Sources

13. Promoting Lifelong Learning
  - Utilizing eBooks for Skill Development
  - Exploring Educational eBooks
14. Embracing eBook Trends
  - Integration of Multimedia Elements
  - Interactive and Gamified eBooks

### **Alternating Current Motor Repair Introduction**

In this digital age, the convenience of accessing information at our fingertips has become a necessity. Whether its research papers, eBooks, or user manuals, PDF files have become the preferred format for sharing and reading documents. However, the cost associated with purchasing PDF files can sometimes be a barrier for many individuals and organizations. Thankfully, there are numerous websites and platforms that allow users to download free PDF files legally. In this article, we will explore some of the best platforms to download free PDFs. One of the most popular platforms to download free PDF files is Project Gutenberg. This online library offers over 60,000 free eBooks that are in the public domain. From classic literature to historical documents, Project Gutenberg provides a wide range of PDF files that can be downloaded and enjoyed on various devices. The website is user-friendly and allows users to search for specific titles or browse through different categories. Another reliable platform for downloading Alternating Current Motor Repair free PDF files is Open Library. With its vast collection of over 1 million eBooks, Open Library has something for every reader. The website offers a seamless experience by providing options to borrow or download PDF files. Users simply need to create a free account to access this treasure trove of knowledge. Open Library also allows users to contribute by uploading and sharing their own PDF files, making it a collaborative platform for book enthusiasts. For those interested in academic resources, there are websites dedicated to providing free PDFs of research papers and scientific articles. One such website is Academia.edu, which allows researchers and scholars to share their work with a global audience. Users can download PDF files of research papers, theses, and dissertations covering a wide range of subjects. Academia.edu also provides a platform for discussions and networking within the academic community. When it comes to downloading Alternating Current Motor Repair free PDF files of magazines, brochures, and catalogs, Issuu is a popular choice. This digital publishing platform hosts a vast collection of publications from around the world. Users can search for specific titles or explore various categories and genres. Issuu offers a seamless reading experience with its user-friendly interface and allows users to download PDF files for offline reading. Apart from dedicated platforms, search engines also play a crucial role in finding free PDF files. Google, for instance, has an advanced search feature that allows users to filter results by file type. By specifying the file type as "PDF," users can find websites that

offer free PDF downloads on a specific topic. While downloading Alternating Current Motor Repair free PDF files is convenient, its important to note that copyright laws must be respected. Always ensure that the PDF files you download are legally available for free. Many authors and publishers voluntarily provide free PDF versions of their work, but its essential to be cautious and verify the authenticity of the source before downloading Alternating Current Motor Repair. In conclusion, the internet offers numerous platforms and websites that allow users to download free PDF files legally. Whether its classic literature, research papers, or magazines, there is something for everyone. The platforms mentioned in this article, such as Project Gutenberg, Open Library, Academia.edu, and Issuu, provide access to a vast collection of PDF files. However, users should always be cautious and verify the legality of the source before downloading Alternating Current Motor Repair any PDF files. With these platforms, the world of PDF downloads is just a click away.

### FAQs About Alternating Current Motor Repair Books

**What is a Alternating Current Motor Repair PDF?** A PDF (Portable Document Format) is a file format developed by Adobe that preserves the layout and formatting of a document, regardless of the software, hardware, or operating system used to view or print it. **How do I create a Alternating Current Motor Repair PDF?** There are several ways to create a PDF: Use software like Adobe Acrobat, Microsoft Word, or Google Docs, which often have built-in PDF creation tools. Print to PDF: Many applications and operating systems have a "Print to PDF" option that allows you to save a document as a PDF file instead of printing it on paper. Online converters: There are various online tools that can convert different file types to PDF. **How do I edit a Alternating Current Motor Repair PDF?** Editing a PDF can be done with software like Adobe Acrobat, which allows direct editing of text, images, and other elements within the PDF. Some free tools, like PDFescape or Smallpdf, also offer basic editing capabilities. **How do I convert a Alternating Current Motor Repair PDF to another file format?** There are multiple ways to convert a PDF to another format: Use online converters like Smallpdf, Zamzar, or Adobe Acrobats export feature to convert PDFs to formats like Word, Excel, JPEG, etc. Software like Adobe Acrobat, Microsoft Word, or other PDF editors may have options to export or save PDFs in different formats. **How do I password-protect a Alternating Current Motor Repair PDF?** Most PDF editing software allows you to add password protection. In Adobe Acrobat, for instance, you can go to "File" -> "Properties" -> "Security" to set a password to restrict access or editing capabilities. Are there any free alternatives to Adobe Acrobat for working with PDFs? Yes, there are many free alternatives for working with PDFs, such as: LibreOffice: Offers PDF editing features. PDFsam: Allows splitting, merging, and editing PDFs. Foxit Reader: Provides basic PDF viewing and editing capabilities. How do I compress a PDF file? You can use online tools like Smallpdf, ILovePDF, or desktop software like Adobe Acrobat to compress PDF files without significant quality loss. Compression

reduces the file size, making it easier to share and download. Can I fill out forms in a PDF file? Yes, most PDF viewers/editors like Adobe Acrobat, Preview (on Mac), or various online tools allow you to fill out forms in PDF files by selecting text fields and entering information. Are there any restrictions when working with PDFs? Some PDFs might have restrictions set by their creator, such as password protection, editing restrictions, or print restrictions. Breaking these restrictions might require specific software or tools, which may or may not be legal depending on the circumstances and local laws.

**Find Alternating Current Motor Repair :**

*crossing the river.*

*crisis de las ciencias sociales de la argentina en crisis*

*critical issues in policing contemporary readings*

**critical reading skills jamestown teacher tool**

**crochet for barbie doll**

**crossing the bridge comparative essays on medieval european and heian japanese women writers**

~~erisis in eden a religious study of man and environment~~

critical thinking gray level

**crossd with adversity the education of socially disadvantaged children in secondary schools**

~~eritical enterprise english studies in higher education.~~

~~cross country riding~~

*crossing limits african americans and american jews poetry from pittsburgh*

**crosscountry downhill and other nordic mountain skiing techniques**

~~erop biotechnology~~

critical passages

**Alternating Current Motor Repair :**

**filmcraft cinematography english edition kindle edition amazon de** - Jul 26 2022

web filmcraft cinematography english edition ebook goodridge mike grierson tim amazon de kindle store

filmcraft producing english edition format kindle amazon fr - Nov 29 2022

web achetez et téléchargez ebook filmcraft producing english edition boutique kindle direction production amazon fr

*filmcraft production design english edition kindle edition amazon de* - Mar 02 2023

web filmcraft production design english edition ebook halligan fionnuala amazon de kindle store

[filmcraft producing kindle edition amazon com](#) - May 04 2023

web jan 21 2013 filmcraft producing kindle edition by macnab geoffrey swart sharon download it once and read it on your kindle device pc phones or tablets use features like bookmarks note taking and highlighting while reading filmcraft producing

**zendaya to star as cleopatra in denis villeneuve s historical epic** - Mar 22 2022

web 5 hours ago production will start in 2024 villeneuve himself expressed his excitement about the project in an interview last year stating i also have a historical film project on the life of cleopatra

**film craft meaning and definition topmeaning com** - Apr 22 2022

web usually uncountable plural film crafts the art or craft of making movie s cinematography

[filmcraft editing english edition versión kindle amazon es](#) - Sep 27 2022

web the filmcraft series is a ground breaking study of the art of filmmaking the most collaborative and multidisciplinary of all the arts each volume covers a different aspect of moviemaking offering in depth interviews with a host

[filmcraft producing english edition kindle edition amazon de](#) - Jun 05 2023

web filmcraft producing english edition ebook macnab geoffrey swart sharon amazon de kindle store

**minecraft film 2025 beyazperde com** - May 24 2022

web 3 4 yönetmen martin scorsese oyuncular leonardo dicaprio lily gladstone robert de niro fragman vizyondaki en İyi filmler Özet minecraft dünyayı büyük bir yıkıma uğratacak olan ender dragon u durdurmak ve dünyayı kurtarmak için zorlu bir maceraya atılan genç bir kız ve arkadaş grubunun hikayesini konu ediyor

[filmcraft producing geoffrey macnab sharon swart google](#) - Oct 09 2023

web while few film producers are household names they wield a degree of control that only the biggest name directors can aspire to as with all of the filmcraft titles this book is based on new

[filmcraft producing geoffrey macnab sharon swart google](#) - Jul 06 2023

web while few film producers are household names they wield a degree of control that only the biggest name directors can aspire to as with all of the filmcraft titles this book is based on new indepth interviews and features such greats as tim bevan marin karmitz jeremy thomas jon kilik lauren shuler donner jan chapman and peter aalbæk

**filmcraft production design english edition kindle ausgabe amazon de** - Dec 31 2022

web filmcraft production design english edition ebook halligan fionnuala amazon de kindle shop

**editions of filmcraft producing by geoffrey macnab goodreads** - Sep 08 2023

web editions for filmcraft producing 0240823745 paperback published in 2013 1781570493 kindle edition published in 2013

kindle edition published in home my books

**filmcraft producing anglais by macnab goodreads** - Feb 01 2023

web nov 1 2012 responsible for hiring all the members of cast and crew from director on downwards the producer must also secure financial backing and oversee the development of the script this book explores the professional s role within the art and the industry through interviews and visual material

filmcraft producing english edition kindle ausgabe amazon de - Apr 03 2023

web filmcraft producing english edition ebook macnab geoffrey swart sharon amazon de kindle shop

*filmcraft production design fionnuala halligan google books* - Oct 29 2022

web oct 8 2012 in production design 16 production designers share their insights anecdotes and technical achievements through a series of exclusive interviews fascinating for both film fans and

*filmcraft definition and meaning wordnik* - Jun 24 2022

web boyle s kinetic crazy quilt visual style combined with an ever twisting storyline has a defined a sort of contemporary filmcraft brad balfour director danny boyle creates a slumdog millionaire and serious oscar buzz 2008 i like hearing about why certain things are they way they are and how the film got made as filmcraft

**filmcraft editing english edition kindle edition amazon de** - Aug 27 2022

web filmcraft editing english edition ebook chang justin amazon de kindle store

**filmcraft producing geoffrey macnab sharon swart google** - Aug 07 2023

web filmcraft producing geoffrey macnab sharon swart google books responsible for hiring all members of cast and crew from the director onwards the producer s role is central to the making of any film and responsibilities can include everything from script development to securing financing to masterminding a film s marketing campaign

**film craft ne demek film craft türkçesi ne demek ingilizce film craft** - Feb 18 2022

web film craft türkçesi film craft nedir sinema sinemacılık film craft ingilizcede ne demek film craft nerede nasıl kullanılır film boş film Çevirmek film kaplamak yaygı Çok ince ve yeğni kabuk ya da katman Çevirim eylemi

**hör mal soundbuch unsere vögel anne möller eur 12 00** - Mar 30 2022

web hör mal soundbuch unsere vögel anne möller eur 12 00 zu verkaufen titel hör mal soundbuch unsere vögel untertitel zum hören schauen und mitmachen 166143584542

hör mal soundbuch unsere vögel von anne möller faltershop at - Sep 04 2022

web hör mal soundbuch unsere vögel von anne möller Über 1 5 mio bücher im faltershop bestellen versandkostenfrei ab 35

**hör mal soundbuch unsere vögel anne möller eurobuch** - Aug 03 2022

web hör mal soundbuch unsere vögel finden sie alle bücher von anne möller bei der büchersuchmaschine eurobuch com

können sie antiquarische und neubücher vergleichen und sofort zum bestpreis bestellen 9783551250087 ungestört lassen sich in diesem buch sechs heimische vögel beobachten und durch leichten

**hör mal soundbuch carlsen** - Jun 13 2023

web bei unseren hör mal soundbüchern gibt es nicht nur jede menge zu gucken sondern auch zu hören wie rauscht das meer wie klingt eine bohrmaschine und was für töne macht eigentlich eine schildkröte lebensnahe themen mit farbenfrohen illustrationen machen hör mal zu echten Lieblingsbüchern

**hör mal soundbuch unsere vögel zum hören schauen** - Feb 26 2022

web hör mal soundbuch unsere vögel zum hören schauen und mitmachen ab 2 jahren mit echten vogelstimmen möller anne möller anne amazon fr livres

**amazon it hör mal soundbuch unsere vögel zum hören** - Feb 09 2023

web scopri hör mal soundbuch unsere vögel zum hören schauen und mitmachen ab 2 jahren mit echten vogelstimmen di möller anne möller anne spedizione gratuita per i clienti prime e per ordini a partire da 29 spediti da amazon

[hör mal unsere vögel soundbuch mit tiergeräuschen](#) - Mar 10 2023

web ungestört lassen sich in diesem buch sechs heimische vögel beobachten und durch leichten druck auf das tier hören wir storch enten kuckuck krähen specht und meise zu wie sie zwitscherm krähen rufen klopfen und schnattern anne möller geboren 1970 war zunächst als druckvorlagenherstellerin tätig und hat dann an der fh hamburg

**amazon de kundenrezensionen hör mal soundbuch unsere vögel** - Apr 30 2022

web finden sie hilfreiche kundenrezensionen und rezensionsbewertungen für hör mal soundbuch unsere vögel zum hören schauen und mitmachen ab 2 jahren mit echten vogelstimmen auf amazon de lesen sie ehrliche und unvoreingenommene rezensionen von unseren nutzern

**hör mal soundbuch unsere vögel mit 6 echten vogelstimmen** - Dec 07 2022

web apr 25 2011 ungestört lassen sich in diesem buch sechs heimische vögel beobachten und durch leichten druck auf das tier hören wir storch enten kuckuck krähen hör mal soundbuch unsere vögel mit 6 echten vogelstimmen von

**hör mal soundbuch unsere vögel zum hören schauen und** - Jul 02 2022

web hör mal soundbuch unsere vögel zum hören schauen und mitmachen ab 2 jahren mit echten vogelstimmen von möller anne isbn 10 3551250081 isbn 13 9783551250087 carlsen verlag gmbh 2011 hardcover

*hör mal soundbuch unsere vögel text möller anne* - Jan 08 2023

web hör mal soundbuch unsere vögel von text möller anne jetzt online bestellen portofrei schnell zuverlässig kein mindestbestellwert individuelle rechnung 20 millionen titel hugendubel info die online buchhandlung für geschäftskund innen

**unsere vögel hör mal bd 4 von anne möller buch thalia** - Nov 06 2022

web unsere vögel hör mal bd 4 zum hören schauen und mitmachen ab 2 jahren mit echten vogelstimmen anne möller buch gebundene ausgabe 12 00 hör mal soundbuch originaltitel hör mal sprache deutsch isbn 978 3 551 25008 7 ungestört lassen sich in diesem buch sechs heimische vögel beobachten und durch leichten druck auf das

*hör mal soundbuch unsere vögel lehmanns de* - Apr 11 2023

web hör mal soundbuch unsere vögel von anne möller isbn 978 3 551 25008 7 bestellen schnelle lieferung auch auf rechnung lehmanns de

**hör mal soundbuch unsere vögel zum hören schauen und** - Jul 14 2023

web hör mal soundbuch unsere vögel zum hören schauen und mitmachen ab 2 jahren mit echten vogelstimmen möller anne möller anne isbn 9783551250087 kostenloser versand für alle bücher mit versand und verkauf duch amazon

hör mal soundbuch unsere vögel carlsen - Aug 15 2023

web hör mal soundbuch unsere vögel von anne möller blick ins buch ungestört lassen sich in diesem buch sechs heimische vögel beobachten und durch leichten druck auf das tier hören wir storch enten kuckuck krähen specht und meise zu wie sie zwitschern krähen rufen klopfen und schnattern

**hÖr mal soundbuch unsere vögel anne möller buch hör mal soundbuch** - Jan 28 2022

web hÖr mal soundbuch unsere vögel anne möller buch hör mal soundbuch 14 s eur 12 00 zu verkaufen titel hör mal soundbuch unsere vögel zusatz zum hören schauen und 186035195351

**hör mal soundbuch unsere vögel anne möller buch jpc** - May 12 2023

web das buch anne möller hör mal soundbuch unsere vögel jetzt portofrei für 12 00 euro kaufen mehr von anne möller gibt es im shop

**9783551250087 hör mal soundbuch unsere vögel zum** - Oct 05 2022

web hör mal soundbuch unsere vögel zum hören schauen und mitmachen ab 2 jahren mit echten vogelstimmen von möller anne beim zvak com isbn 10 3551250081 isbn 13 9783551250087 carlsen verlag gmbh 2011 hardcover

hör mal soundbuch unsere vögel zum hören schauen und - Dec 27 2021

web compre online hör mal soundbuch unsere vögel zum hören schauen und mitmachen ab 2 jahren mit echten vogelstimmen de möller anne möller anne na amazon frete grÁtis em milhares de produtos com o amazon prime

*hör mal soundbuch unsere vögel möller anne* - Jun 01 2022

web ungestört lassen sich in diesem buch sechs heimische vögel beobachten und durch leichten druck auf das tier hören wir storch enten kuckuck krähen specht und meise zu wie sie zwitschern krähen rufen klopfen und schnattern typisch hör mal jedes buch enthält 6 leicht auslösbare sounds mit einer gesamtspielzeit von 60 sekunden durch

**der andere prophet jesus im koran worldcat org** - Jan 08 2023

web die autoren zeichnen den streit um jesus im koran historisch nach und überlegen wie seine präzise aufarbeitung zu einem produktiven miteinander von christen und muslimen heute beitragen kann sie zeigen welche große hermeneutische bedeutung die auseinandersetzung mit der christologie für ein adäquates verstehen des korans hat

**der andere prophet jesus im koran amazon de** - May 12 2023

web jesus gilt im islam als einer der bedeutendsten propheten im koran wird er als zeichen gottes genannt und doch ist sein stellenwert im islam ein anderer als im christentum in ihrem einzigartigen buch unternehmen mouhanad khorchide und klaus von stosch den bislang ersten versuch den koranischen jesus von islamischer und christlicher seite zu

**jesus im koran maryams sohn deutschlandfunk** - Oct 05 2022

web dec 26 2018 maryams sohn die geburt jesu wird im koran geschildert ohne krippe dafür mit marias wehen das neugeborene kann sofort sprechen und gilt als wort gottes die theologen mouhanad khorchide

der andere prophet jesus im koran german edition - Mar 30 2022

web apr 18 2018 im koran wird er als zeichen gottes genannt und doch ist sein stellenwert im islam ein anderer als im christentum in ihrem einzigartigen buch unternehmen mouhanad khorchide und klaus von stosch den bislang ersten versuch den koranischen jesus von islamischer und christlicher seite zu erschliessen

**der andere prophet jesus im koran google books** - Mar 10 2023

web apr 18 2018 der andere prophet jesus im koran mouhanad khorchide prof klaus von stosch verlag herder gmbh apr 18 2018 religion 320 pages 0 reviews reviews aren t verified but google checks for

der andere prophet jesus im koran e book mouhanad - Aug 03 2022

web lese der andere prophet jesus im koran gratis von mouhanad khorchide prof klaus von stosch verfügbar als e book jetzt 14 tage gratis testen lehne dich mit der app von nextory zurück und finde deine nächste geschichte unter hundertausenden von hör

**koranische zugänge zu jesus christus in der perspektive ctsi** - Apr 30 2022

web die von den beiden projektleitern gemeinsam verantwortete monographie der andere prophet die 2018 im herder verlag erschienen ist ist das erste buch über jesus im koran das von einem christlichen und einem muslimischen theologen gemeinsam geschrieben wurde

**der andere prophet buch online kaufen herder de** - Apr 11 2023

web ein versuch den koranischen jesus von islamischer und christlicher seite zu erschließen jesus gilt im islam als einer der bedeutendsten propheten im koran wird er als zeichen gottes genannt und doch ist sein stellenwert im islam ein anderer als im christentum

*pdf der andere prophet jesus im koran the other prophet jesus* - Jul 14 2023

web der andere prophet jesus im koran the other prophet jesus in the qur an reinhard kirste two theologians the muslim mouhanad khorchide university of münster and the christian klaus von stosch university of paderborn published this book herder 2018 as a result of explicitly common researches

**mouhanad khorchide klaus von stosch der andere prophet jesus im** - Feb 09 2023

web jesus gilt im islam als einer der bedeutendsten propheten im koran wird er als zeichen gottes genannt und doch ist sein stellenwert im islam ein anderer als im christentum in ihrem buch unternehmen mouhanad khorchide und klaus von stosch den bislang ersten versuch den koranischen jesus von islamischer und christlicher seite zu erschließen

*welche sichtweise hat der koran auf jesus domradio de* - Jan 28 2022

web may 4 2022 bibel welche sichtweise hat der koran auf jesus 04 05 2022 welche sichtweise hat der koran auf jesus aus dem stall wird eine palme jesus wird im koran mehrfach erwähnt doch

der andere prophet jesus im koran - Jul 02 2022

web der andere prophet jesus im koran mouhanad khorchide und klaus von stosch zeigen in diesem ebenso faszinierenden wie einzigartigen buch dass ein gemeinsamer blick auf jesus von islamischer und christlicher seite nicht nur möglich ist sondern unser verständnis von jesus und seiner botschaft erweitert die autoren zeichnen den strei

klaus von stosch über jesus im koran domradio de - Jun 01 2022

web may 14 2018 im buch der andere prophet jesus im koran untersuchen von stosch und der islamische theologe mouhanad khorchide zunächst das historische umfeld die entstehung des korans im siebten

**ein interview mit klaus von stosch domradio de** - Nov 06 2022

web jun 17 2018 nachrichten interreligiöser dialog ein interview mit klaus von stosch 13 09 2020 ein interview mit klaus von stosch der andere prophet jesus im koran katholischer theologe mit einem

*der andere prophet jesus im koran hardcover 18 april 2018 amazon de* - Sep 04 2022

web apr 8 2018 das hauptkapitel der beiden autoren nennt sich surenholistische lektüre der suren 19 3 und 5 im kontext einer diachronen lektüre der jesusverse des korans 95 175 und versucht u a nachzuweisen dass der koran nicht prinzipiell den tod jesu oder sein leiden negiert sondern sogar seine erhöhung zu gott und damit indirekt sogar seine

‘Īsā ibn maryam wikipedia - Feb 26 2022

web ‘Īsā ibn maryam ist ein prophet im koran der als unmittelbares wort gottes angesehen wird und sich auf jesus von nazaret bezieht die darstellung jesus im islamischen schrifttum zeigt gemeinsamkeiten aber auch bestimmte unterschiede zu neutestamentlichen darstellungen und beschreibungen jesus christi jesus wird im

buchtipp der andere prophet jesus im koran migazin de - Dec 27 2021

web apr 20 2018 der andere prophet jesus im koran jesus ist im koran ein besonderer prophet und das christentum wird dort positiver und weniger polemisch gesehen als bisher gedacht ist ein

**der andere prophet islamische akademie deutschland e v** - Dec 07 2022

web beschreibung bewertungen 0 beschreibung jesus im koran isbn 978 3 451 38154 6 verlag herder 1 auflage 2018

zusammenarbeit zweier renommierten theologen das einzige buch über jesus im koran von einem christlichen und einem muslimischen autor neue und überraschende erkenntnisse über jesus aus dem koran

neuerscheinung der andere prophet jesus im koran - Aug 15 2023

web der andere prophet jesus im koran von mouhanad khorchide und klaus von stosch mit mouhanad khorchide und klaus von stosch haben erstmals ein muslimischer und ein christlicher autor gemeinsam ein buch über jesus im koran

herausgegeben ihr nun erschienenes werk der andere prophet

*der andere prophet jesus im koran amazon com tr* - Jun 13 2023

web der andere prophet jesus im koran khorchide mouhanad stosch klaus von amazon com tr kitap