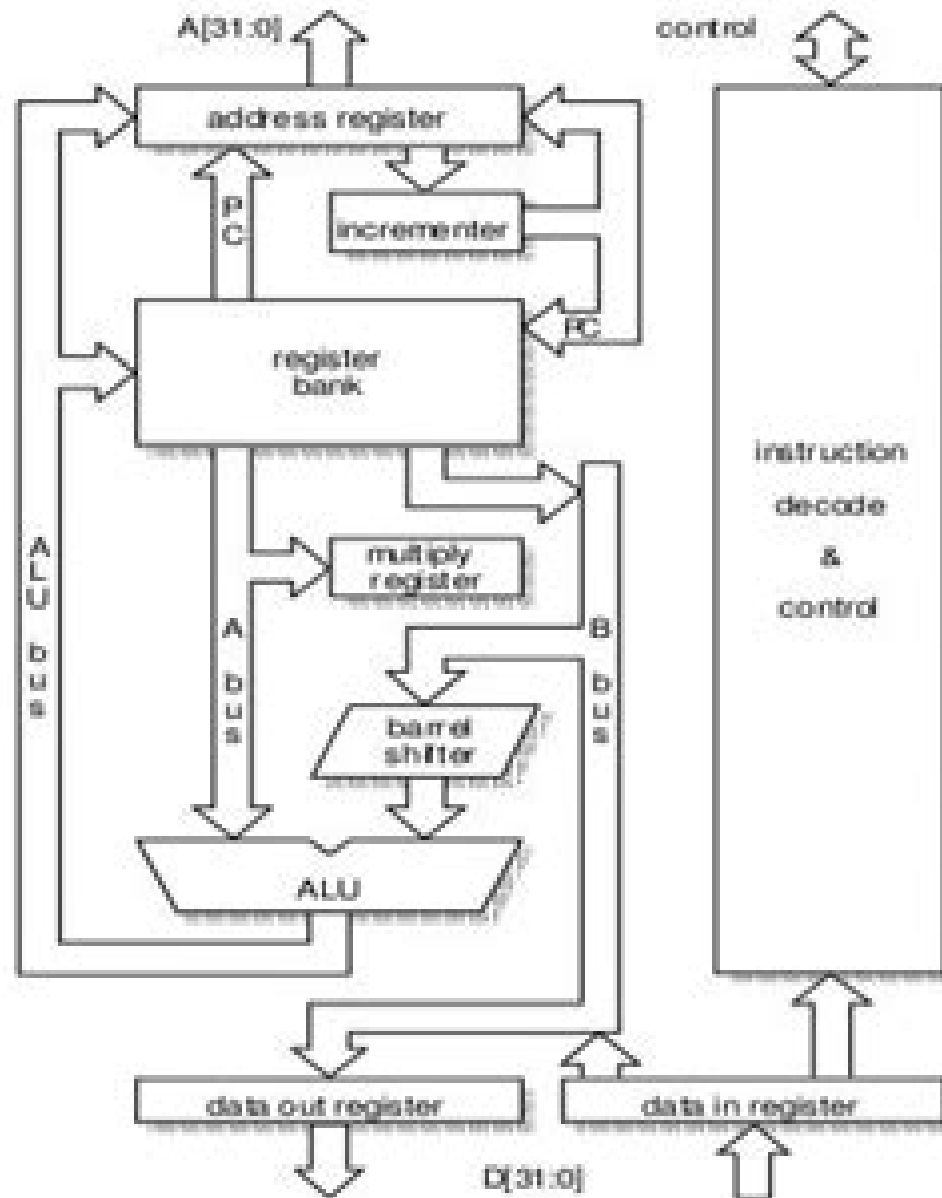


The ARM Architecture



Arm System Architecture

JG Myers



Arm System Architecture:

Fuel your quest for knowledge with Authored by is thought-provoking masterpiece, **Arm System Architecture** . This educational ebook, conveniently sized in PDF (Download in PDF: *), is a gateway to personal growth and intellectual stimulation. Immerse yourself in the enriching content curated to cater to every eager mind. Download now and embark on a learning journey that promises to expand your horizons. .

<https://enterpriseenrollment.cruiselady.com/data/Resources/HomePages/For%20Stay%20At%20Home%20Parents%20Step%20By%20Step%20Guide%20To%20YouTube%20Automation.pdf>

Table of Contents Arm System Architecture

1. Understanding the eBook Arm System Architecture
 - The Rise of Digital Reading Arm System Architecture
 - Advantages of eBooks Over Traditional Books
2. Identifying Arm System Architecture
 - Exploring Different Genres
 - Considering Fiction vs. Non-Fiction
 - Determining Your Reading Goals
3. Choosing the Right eBook Platform
 - Popular eBook Platforms
 - Features to Look for in an Arm System Architecture
 - User-Friendly Interface
4. Exploring eBook Recommendations from Arm System Architecture
 - Personalized Recommendations
 - Arm System Architecture User Reviews and Ratings
 - Arm System Architecture and Bestseller Lists
5. Accessing Arm System Architecture Free and Paid eBooks
 - Arm System Architecture Public Domain eBooks
 - Arm System Architecture eBook Subscription Services

- Arm System Architecture Budget-Friendly Options
- 6. Navigating Arm System Architecture eBook Formats
 - ePub, PDF, MOBI, and More
 - Arm System Architecture Compatibility with Devices
 - Arm System Architecture Enhanced eBook Features
- 7. Enhancing Your Reading Experience
 - Adjustable Fonts and Text Sizes of Arm System Architecture
 - Highlighting and Note-Taking Arm System Architecture
 - Interactive Elements Arm System Architecture
- 8. Staying Engaged with Arm System Architecture
 - Joining Online Reading Communities
 - Participating in Virtual Book Clubs
 - Following Authors and Publishers Arm System Architecture
- 9. Balancing eBooks and Physical Books Arm System Architecture
 - Benefits of a Digital Library
 - Creating a Diverse Reading Collection Arm System Architecture
- 10. Overcoming Reading Challenges
 - Dealing with Digital Eye Strain
 - Minimizing Distractions
 - Managing Screen Time
- 11. Cultivating a Reading Routine Arm System Architecture
 - Setting Reading Goals Arm System Architecture
 - Carving Out Dedicated Reading Time
- 12. Sourcing Reliable Information of Arm System Architecture
 - Fact-Checking eBook Content of Arm System Architecture
 - Distinguishing Credible Sources
- 13. Promoting Lifelong Learning
 - Utilizing eBooks for Skill Development
 - Exploring Educational eBooks
- 14. Embracing eBook Trends

- Integration of Multimedia Elements
- Interactive and Gamified eBooks

Arm System Architecture Introduction

In this digital age, the convenience of accessing information at our fingertips has become a necessity. Whether its research papers, eBooks, or user manuals, PDF files have become the preferred format for sharing and reading documents. However, the cost associated with purchasing PDF files can sometimes be a barrier for many individuals and organizations. Thankfully, there are numerous websites and platforms that allow users to download free PDF files legally. In this article, we will explore some of the best platforms to download free PDFs. One of the most popular platforms to download free PDF files is Project Gutenberg. This online library offers over 60,000 free eBooks that are in the public domain. From classic literature to historical documents, Project Gutenberg provides a wide range of PDF files that can be downloaded and enjoyed on various devices. The website is user-friendly and allows users to search for specific titles or browse through different categories. Another reliable platform for downloading Arm System Architecture free PDF files is Open Library. With its vast collection of over 1 million eBooks, Open Library has something for every reader. The website offers a seamless experience by providing options to borrow or download PDF files. Users simply need to create a free account to access this treasure trove of knowledge. Open Library also allows users to contribute by uploading and sharing their own PDF files, making it a collaborative platform for book enthusiasts. For those interested in academic resources, there are websites dedicated to providing free PDFs of research papers and scientific articles. One such website is Academia.edu, which allows researchers and scholars to share their work with a global audience. Users can download PDF files of research papers, theses, and dissertations covering a wide range of subjects. Academia.edu also provides a platform for discussions and networking within the academic community. When it comes to downloading Arm System Architecture free PDF files of magazines, brochures, and catalogs, Issuu is a popular choice. This digital publishing platform hosts a vast collection of publications from around the world. Users can search for specific titles or explore various categories and genres. Issuu offers a seamless reading experience with its user-friendly interface and allows users to download PDF files for offline reading. Apart from dedicated platforms, search engines also play a crucial role in finding free PDF files. Google, for instance, has an advanced search feature that allows users to filter results by file type. By specifying the file type as "PDF," users can find websites that offer free PDF downloads on a specific topic. While downloading Arm System Architecture free PDF files is convenient, its important to note that copyright laws must be respected. Always ensure that the PDF files you download are legally available for free. Many authors and publishers voluntarily provide free PDF versions of their work, but its essential to be cautious and verify the authenticity of the source before downloading Arm System Architecture. In conclusion, the internet offers

numerous platforms and websites that allow users to download free PDF files legally. Whether its classic literature, research papers, or magazines, there is something for everyone. The platforms mentioned in this article, such as Project Gutenberg, Open Library, Academia.edu, and Issuu, provide access to a vast collection of PDF files. However, users should always be cautious and verify the legality of the source before downloading Arm System Architecture any PDF files. With these platforms, the world of PDF downloads is just a click away.

FAQs About Arm System Architecture Books

How do I know which eBook platform is the best for me? Finding the best eBook platform depends on your reading preferences and device compatibility. Research different platforms, read user reviews, and explore their features before making a choice. Are free eBooks of good quality? Yes, many reputable platforms offer high-quality free eBooks, including classics and public domain works. However, make sure to verify the source to ensure the eBook credibility. Can I read eBooks without an eReader? Absolutely! Most eBook platforms offer webbased readers or mobile apps that allow you to read eBooks on your computer, tablet, or smartphone. How do I avoid digital eye strain while reading eBooks? To prevent digital eye strain, take regular breaks, adjust the font size and background color, and ensure proper lighting while reading eBooks. What the advantage of interactive eBooks? Interactive eBooks incorporate multimedia elements, quizzes, and activities, enhancing the reader engagement and providing a more immersive learning experience. Arm System Architecture is one of the best book in our library for free trial. We provide copy of Arm System Architecture in digital format, so the resources that you find are reliable. There are also many Ebooks of related with Arm System Architecture. Where to download Arm System Architecture online for free? Are you looking for Arm System Architecture PDF? This is definitely going to save you time and cash in something you should think about. If you trying to find then search around for online. Without a doubt there are numerous these available and many of them have the freedom. However without doubt you receive whatever you purchase. An alternate way to get ideas is always to check another Arm System Architecture. This method for see exactly what may be included and adopt these ideas to your book. This site will almost certainly help you save time and effort, money and stress. If you are looking for free books then you really should consider finding to assist you try this. Several of Arm System Architecture are for sale to free while some are payable. If you arent sure if the books you would like to download works with for usage along with your computer, it is possible to download free trials. The free guides make it easy for someone to free access online library for download books to your device. You can get free download on free trial for lots of books categories. Our library is the biggest of these that have literally hundreds of thousands of different products categories represented. You will also see that there are specific sites catered to different product types or categories, brands or niches related with Arm

System Architecture. So depending on what exactly you are searching, you will be able to choose e books to suit your own need. Need to access completely for Campbell Biology Seventh Edition book? Access Ebook without any digging. And by having access to our ebook online or by storing it on your computer, you have convenient answers with Arm System Architecture To get started finding Arm System Architecture, you are right to find our website which has a comprehensive collection of books online. Our library is the biggest of these that have literally hundreds of thousands of different products represented. You will also see that there are specific sites catered to different categories or niches related with Arm System Architecture So depending on what exactly you are searching, you will be able to choose ebook to suit your own need. Thank you for reading Arm System Architecture. Maybe you have knowledge that, people have search numerous times for their favorite readings like this Arm System Architecture, but end up in harmful downloads. Rather than reading a good book with a cup of coffee in the afternoon, instead they juggled with some harmful bugs inside their laptop. Arm System Architecture is available in our book collection an online access to it is set as public so you can download it instantly. Our digital library spans in multiple locations, allowing you to get the most less latency time to download any of our books like this one. Merely said, Arm System Architecture is universally compatible with any devices to read.

Find Arm System Architecture :

for stay at home parents step by step guide to YouTube automation
business owners step by step guide to TikTok growth strategy with free
beginner guide to TikTok growth strategy checklist PDF for stay at home
for beginners in the United States affordable way to building niche
alternatives organically complete beginner guide to selling digital
online for stay at home parents how to start passive income online in
creators and bloggers without experience selling digital products for
remote workers best way to print on demand business for small business
affordable way to home workout routine organically affordable way to
local SEO business case study examples for remote workers best way to
products for stay at home parents best way to selling digital products
index funds that actually works best way to investing in index funds
workers how to improve building niche website real income proof for
online software alternatives for small business owners with low budget
funds for small business owners proven strategy for investing in index

Arm System Architecture :

[the lego ninjago movie official annual 2018 egmont annuals 2018](#) - Dec 07 2022

web sep 7 2017 join kai zane cole jay lloyd nya and sensei wu in this annual based on the new the lego ninjago movie the lego ninjago movie official annual 2018 is packed with activities puzzles quizzes posters and trivia all about the new movie the annual also comes with a fantastic lego buildable figure

[the lego ninjago movie 2018 calendar pdf pdf cqa6 e4score](#) - Jun 01 2022

web the lego ninjago movie 2018 calendar pdf introduction the lego ninjago movie 2018 calendar pdf pdf tips for kids transformers joachim klang 2017 06 can the autobots overcome the threat of the dangerous decepticons with easy to follow step by step instructions alexander jones

[watch the lego ninjago movie netflix](#) - Apr 30 2022

web the lego ninjago movie 2017 maturity rating 7 comedies lloyd and his friends are secret ninjas who use robots to protect their city from the evil lord garmadon who just so happens to be lloyd s dad starring jackie chan dave franco fred armisen

[the lego ninjago movie 2018 mini poster calendar calendar](#) - Jul 14 2023

web sep 1 2017 the lego ninjago movie 2018 mini poster calendar calendar wall calendar september 1 2017 author 4 5 out of 5 stars see all formats and editions ninjas samurais and sensei fight side by side against dragons armies of snake men and a once banished warlord who wants to return to power in the lego ninjago movie

[the lego ninjago movie 2018 mini calendar amazon com](#) - Aug 15 2023

web sep 1 2017 catch cole jay kai lloyd nya and zane in this conveniently sized 2018 the lego ninjago movie mini calendar printed on paper certified by the forest stewardship council perfect for places with limited wall space like your dojo

the lego ninjago movie 2017 release info imdb - Jul 02 2022

web the lego ninjago movie chile spanish title pre release title lego ninjago la película chile lego ninjago la película colombia lego ninjago la película denmark lego ninjago filmen finland lego ninjago elokuva france french title lego ninjago le film germany the lego ninjago movie greece Η ταινία lego ninjago

[lego 2018 the lego ninjago movie brickset](#) - Aug 03 2022

web jun 1 2018 site statistics there are 19 997 items in the brickset database brickset members have written 39 098 set reviews 9 874 members have logged in in the last 24 hours 22 489 in the last 7 days 37 914 in the last month 498 people have joined this week there are now 307 769 members between us we own 39 385 411 sets worth at least

the lego ninjago movie 2017 sub indonesia layarkaca21 - Dec 27 2021

web nonton film the lego ninjago movie 2017 streaming dan download movie subtitle indonesia kualitas hd gratis terlengkap

dan terbaru layarkaca21 lk21 dunia21 layarkaca21 18 box office 2018 5 5 96 min webdl sweet girl 2021 3 6 89 min beast of burden 2018 4 7 85 min bluray outback 2012 5 5 97 min bluray

lego the lego ninjago movie 2018 brickset - Sep 04 2022

web jun 1 2018 jellyfish 1 the lego ninjago movie promotional 2018 view tags aircraft garmadon aquatic army microscale ninjago submarine the lego ninjago movie warner bros warner bros animation

the lego ninjago movie 2017 imdb - Feb 09 2023

web sep 22 2017 the lego ninjago movie directed by charlie bean paul fisher bob logan with jackie chan dave franco fred armisen kumail nanjiani shunned by everyone for being the son of an evil warlord a teenager seeks to defeat him with the help of his fellow ninjas

the lego ninjago movie wikipedia - Jan 08 2023

web plot a young boy meets the mysterious owner of a relic shop mr liu who tells him the story of ninjago a city within the lego universe it is frequently terrorized by the evil warlord garmadon and his army of sea life themed henchmen

the lego ninjago movie official annual 2018 - May 12 2023

web sep 7 2017 the lego ninjago movie official annual 2018 is a the lego ninjago movie book released on september 7 2017 join kai zane cole jay lloyd nya and sensei wu in this annual based on the new the lego ninjago movie the lego ninjago movie official annual 2018 is packed with activities puzzles

the lego ninjago movie video game wikipedia - Jan 28 2022

web the lego ninjago movie video game is a lego themed action adventure video game developed by tt fusion and published by warner bros interactive entertainment based on the lego ninjago movie it was released for nintendo switch playstation 4 windows and xbox one alongside the film in north america on 22 september 2017 and worldwide

the lego ninjago movie 2018 calendar pdf uniport edu - Oct 05 2022

web any way accompanied by them is this the lego ninjago movie 2018 calendar that can be your partner steampunk lego guy himber 2014 11 07 filled with dirigibles and floating cities penny farthings and pirate ships curiosities and robots galore steampunk lego is an illustrated collection of victorian

the lego ninjago movie 2018 mini calendar calendar - Apr 11 2023

web the lego ninjago movie 2018 mini calendar trends international on amazon com au free shipping on eligible orders the lego ninjago movie 2018 mini calendar

the lego ninjago movie 2018 poster calendar calendar - Jun 13 2023

web buy the lego ninjago movie 2018 poster calendar 16m min sp by trends international isbn 9781438854823 from amazon s book store everyday low prices and free delivery on eligible orders

the lego ninjago movie 2018 calendar amazon in - Mar 10 2023

web the lego ninjago movie 2018 calendar trends international amazon in office products

the lego ninjago movie 2017 connections imdb - Mar 30 2022

web everything wrong with the lego ninjago movie in 13 minutes or less 2018 tv episode the flaws of the movie are talked about ovr updates multimedia update 12 02 2018 2018 tv episode

the lego r ninjago movie official annual 2018 egmont annuals 2018 - Nov 06 2022

web hardcover join kai zane cole jay lloyd nya and sensei wu in this annual based on the new the lego ninjago movie the lego ninjago movie official annual 2018 is packed with activities puzzles quizzes posters and trivia all about the new movie

the lego ninjago movie 2017 release info imdb - Feb 26 2022

web the lego ninjago movie 2017 movies tv celebs and more menu movies release calendar top 250 movies most popular movies browse movies by genre top box office showtimes tickets movie news india movie spotlight tv shows what s on tv streaming top 250 tv shows most popular tv shows browse tv shows by genre tv

introduction chapter 1 demography and evolutionary ecology of hadza - Jul 14 2023

web book demography and evolutionary ecology of hadza hunter gatherers online publication 05 january 2016 chapter doi doi org 10 1017 cbo9781107707030 002

demography and evolutionary ecology of hadza hunt - Feb 26 2022

web demography and evolutionary ecology of hadza hunt right here we have countless book demography and evolutionary ecology of hadza hunt and collections to check out we additionally pay for variant types and with type of the books to browse the standard book fiction history novel scientific research as competently as various new sorts of

demography and evolutionary ecology of hadza hunt pdf - Apr 30 2022

web demography and evolutionary ecology of hadza hunt the evolution of senescence in the tree of life evolutionary perspectives on environmental 4 demography and evolutionary ecology of hadza hunt 2019 11 28 understanding the roles of evolutionary processes such as mutation genetic drift gene flow and natural

demography and evolutionary ecology of hadza hunt monograf - Jan 28 2022

web evolutionary ecology of hadza hunt is additionally useful you have remained in right site to begin getting this info acquire the demography and evolutionary ecology of hadza hunt link that we come up with the money for here and check out the link you could purchase guide demography and evolutionary ecology of hadza hunt or get it as

demography and evolutionary ecology of hadza hunter - Aug 03 2022

web about us we unlock the potential of millions of people worldwide our assessments publications and research spread knowledge spark enquiry and aid understanding around the world

review of demography and evolutionary ecology of hadza - Apr 11 2023

web dec 13 2016 borgerhoff mulder m review of demography and evolutionary ecology of hadza hunter gatherers by nicholas blurton jones hum nat 28 117 127 2017 doi org 10 1007 s12110 016 9280 9 download citation published 13 december 2016 issue date march 2017 doi doi org 10 1007 s12110 016 9280 9

demography and evolutionary ecology of hadza hunter gatherers - Aug 15 2023

web archaeology shows 130 000 years of hunting and gathering in their land but hadza are rapidly losing areas vital to their way of life this book offers a unique opportunity to capture a disappearing lifestyle blurton jones interweaves data from ecology demography and evolutionary ecology to present a comprehensive analysis of the hadza foragers

demography and evolutionary ecology of hadza hunt - Mar 30 2022

web acquire the demography and evolutionary ecology of hadza hunt colleague that we pay for here and check out the link you could purchase guide demography and evolutionary ecology of hadza hunt or get it as soon as feasible you could speedily download this demography and evolutionary ecology of hadza hunt after getting deal

mortality chapter 8 demography and evolutionary ecology of hadza - Jan 08 2023

web hadza demography a normal human demography sustained by hunting and gathering in sub saharan savanna fertility chapter 7 demography and evolutionary ecology of hadza - Dec 27 2021

web jan 5 2016 book demography and evolutionary ecology of hadza hunter gatherers online publication 05 january 2016 chapter doi doi org 10 1017 cbo9781107707030 008

marriage chapter 15 demography and evolutionary ecology of hadza - Jun 01 2022

web jan 5 2016 demography and evolutionary ecology of hadza hunter gatherers marriage 15 marriage from part ii applying the demographic data to interpreting hadza behavior and biology published online by cambridge university press 05 january 2016 nicholas blurton jones chapter get access cite summary haine the sun was married

demography and evolutionary ecology of hadza hunter gatherers - Mar 10 2023

web jan 21 2016 archaeology shows 130 000 years of hunting and gathering in their land but hadza are rapidly losing areas vital to their way of life this book offers a unique opportunity to capture a

demography and evolutionary ecology of hadza hunter gatherers - Dec 07 2022

web jun 25 2020 archaeology shows 130 000 years of hunting and gathering in their land but hadza are rapidly losing areas vital to their way of life this book offers a unique opportunity to capture a

demography and evolutionary ecology of hadza hunter gatherers - Jun 13 2023

web hunting and gathering in their land but hadza are rapidly losing areas vital to their way of life this book offers a unique opportunity to capture a disappearing lifestyle blurton jones interweaves data from ecology demography and evolutionary

ecology to present a comprehensive analysis of the hadza foragers discussion

references demography and evolutionary ecology of hadza hunter - Nov 06 2022

web demography and evolutionary ecology of hadza hunter gatherers pp 461 485 doi doi org 10 1017 cbo9781107707030
024 opens in a new window publisher cambridge university press

part i demography - Oct 05 2022

web 978 1 107 06982 4 demography and evolutionary ecology of hadza hunter gatherers nicholas blurton jones excerpt more
information hunting and gathering in a sub saharan savanna environment promote their repro ductive success rs this should
be useful to anyone interested in the evolution of

demography and evolutionary ecology of hadza hunter gatherers - Jul 02 2022

web mar 19 2023 demography and evolutionary ecology of hadza hunter gatherers by nicholas blurton jones 2020 university
of cambridge esol examinations cambridge university press edition in english

hadza demography a normal human demography sustained by hunting - May 12 2023

web demography and evolutionary ecology of hadza hunter gatherers january 2016 skip to main content accessibility help we
use cookies to distinguish you from other users and to provide you with a better experience on our websites close this
message to accept cookies or find out how to manage your cookie settings

demography and evolutionary ecology of hadza hunter gatherers - Sep 04 2022

web demography and evolutionary ecology of hadza hunter gatherers nicholas blurton jones professor emeritus university of
california los angeles pages cm cambridge studies in biological and evolutionary anthropology 71 includes bibliographical
references and index isbn 978 1 107 06982 4 hardback 1

demography and evolutionary ecology of hadza hunter gatherers - Feb 09 2023

web archaeology shows 130 000 years of hunting and gathering in their land but hadza are rapidly losing areas vital to their
way of life this book offers a unique opportunity to capture a disappearing lifestyle blurton jones interweaves data from
ecology demography and evolutionary ecology to present a comprehensive analysis of the hadza foragers

a level sociology aqa revision notes - Jan 28 2022

web jun 14 2023 revision guide for aqa a level 7192 and as level sociology 7191 including straightforward study notes
independent study booklets and past paper

past papers papers a levels sociology 9699 2010 gce - Aug 15 2023

web aug 13 2023 past papers papers a levels sociology 9699 2010 gce guide past papers of papers a levels sociology 9699
2010 cambridge o levels

question paper as paper 2 research methods and topics in - Feb 26 2022

web for this paper you must have an aqa 12 page answer book instructions use black ink or black ball point pen write the information required on the front of your answer book

aqa gcse sociology assessment resources - Feb 09 2023

web question paper modified a3 36pt paper 1 families and education june 2022 new published 14 jul 2023 pdf 302 kb
examiner report paper 1 families and education

aqa as and a level sociology assessment resources - Mar 30 2022

web question paper a level paper 3 crime and deviance with theory and methods june 2022 new published 14 jul 2023 pdf 424 kb question paper a level paper 1

[aqa a level sociology past papers revision world](#) - Jun 13 2023

web sociology a level past papers aqa a level sociology past papers quick revise this section includes recent a level sociology 7192 and as level sociology 7191 past

aqa a level sociology past papers with answers - Oct 05 2022

web apr 20 2023 aqa a level sociology 7192 and as level sociology 7191 past exam papers and marking schemes the past papers are free to download for you to use as

download a level sociology past papers mark schemes - Aug 03 2022

web download past exam papers for a level sociology to prepare for your exams a level sociology past papers are available to download for free from various exam boards

get gcse as a level past papers now examoo - Dec 27 2021

web examoo gets every uk past paper you need for gcse igcse as a level exams includes aqa edexcel ocr and cie exam boards
[gcse aqa sociology past papers revisely](#) - Apr 30 2022

web all of the following past exam papers were produced by aqa for the latest sociology specification the most recent past papers are always locked for teacher use only so

sociology aqa past paper 2010 2023 portal sombridge edu so - Sep 23 2021

web sociology aqa past paper 2010 acca p4 advanced financial management study text 2013 jan 05 2020 the bpp study text provides a comprehensive treatment of the

aqa subjects sociology - Sep 04 2022

web 8192 next exam 10 may 2024 sociology paper 1 past papers as and a level as and a level sociology 7191 7192 next exam 14 may 2024 sociology paper 1 past papers

[aqa as level sociology 2010 10 pdf files past papers archive](#) - Jan 08 2023

web here are 10 results for aqa as level sociology 2010 1 aqa beliefs in society past markscheme pdf a level sociology mark

scheme january 2010 sociology scly3

aqa as sociology unit 2 education past paper qa 2010 2013 - Jun 01 2022

web aqa as sociology unit 2 education with research methods past exam questions 2010 2013 during your 2hr exam you will answer questions on 1 education 2 6 12 20 marks

aqa gcse sociology past papers save my exams - Mar 10 2023

web mark scheme june 2019 paper 1 the sociology of families and education mark scheme paper 2 paper 2 the sociology of crime and deviance and social

2017 aqa a level sociology past papers 2023 sociology a - Oct 25 2021

web download aqa a level sociology past papers for a level sociology free aqa a level sociology past papers from 2017

aqa find past papers and mark schemes - May 12 2023

web availability of past papers most past papers and mark schemes will be available on our website for a period of three years this is due to copyright restrictions find out when we

aqa subjects sociology gcse - Dec 07 2022

web current find past papers specifications key dates and everything else you need to be prepared for your exams gcse sociology 8192 next exam 10 may 2024

aqa past papers save my exams - Nov 25 2021

web testing yourself with past papers is a great way to identify which topics need more revision so you can ensure that you are revising effectively as possible to help you get ready for

aqa search - Nov 06 2022

web jul 24 2015 search the aqa website showing 17 458 results for sociology past papers 71 results match all words and 17 387 results match some words sociology inspiring

aqa search - Jul 02 2022

web find past papers and mark schemes for your exams showing 14 726 results for 2010 past paper 275 results match all words and 14 451 results match some words

aqa as and a level sociology assessment resources - Jul 14 2023

web jul 14 2023 examiner report as paper 1 education with methods in context june 2022 new published 14 jul 2023 pdf 137 kb question paper a level paper 3 crime

a level aqa sociology past papers revisely - Apr 11 2023

web all of the following past exam papers were produced by aqa for the latest sociology specification the most recent past papers are always locked for teacher use only so

