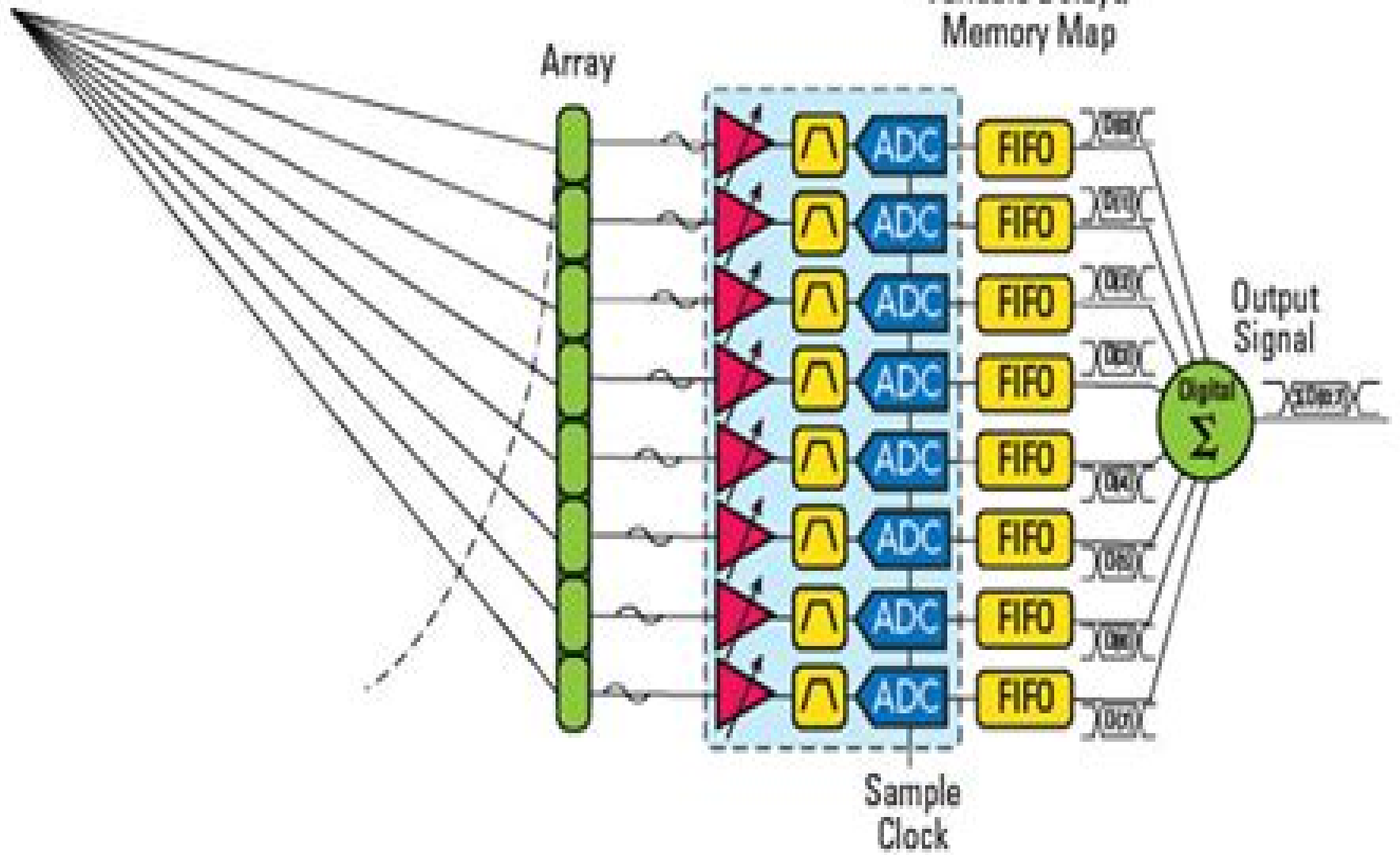


Focal Point



# Array Processing Applications To Radar

**BM King**



## **Array Processing Applications To Radar:**

## Embracing the Beat of Expression: An Psychological Symphony within **Array Processing Applications To Radar**

In a world taken by displays and the ceaseless chatter of quick communication, the melodic beauty and mental symphony produced by the prepared word often diminish in to the back ground, eclipsed by the constant sound and disturbances that permeate our lives. However, set within the pages of **Array Processing Applications To Radar** a wonderful fictional prize full of natural feelings, lies an immersive symphony waiting to be embraced. Constructed by an outstanding composer of language, this charming masterpiece conducts visitors on a mental trip, skillfully unraveling the hidden melodies and profound affect resonating within each cautiously constructed phrase. Within the depths with this poignant assessment, we shall examine the book is main harmonies, analyze its enthralling publishing design, and surrender ourselves to the profound resonance that echoes in the depths of readers souls.

[https://enterpriseenrollment.cruiselady.com/public/scholarship/Documents/how\\_to\\_improve\\_improving\\_credit\\_score\\_for\\_creators\\_and\\_bloggers\\_how\\_to.pdf](https://enterpriseenrollment.cruiselady.com/public/scholarship/Documents/how_to_improve_improving_credit_score_for_creators_and_bloggers_how_to.pdf)

### **Table of Contents Array Processing Applications To Radar**

1. Understanding the eBook Array Processing Applications To Radar
  - The Rise of Digital Reading Array Processing Applications To Radar
  - Advantages of eBooks Over Traditional Books
2. Identifying Array Processing Applications To Radar
  - Exploring Different Genres
  - Considering Fiction vs. Non-Fiction
  - Determining Your Reading Goals
3. Choosing the Right eBook Platform
  - Popular eBook Platforms
  - Features to Look for in an Array Processing Applications To Radar
  - User-Friendly Interface
4. Exploring eBook Recommendations from Array Processing Applications To Radar

- Personalized Recommendations
  - Array Processing Applications To Radar User Reviews and Ratings
  - Array Processing Applications To Radar and Bestseller Lists
5. Accessing Array Processing Applications To Radar Free and Paid eBooks
    - Array Processing Applications To Radar Public Domain eBooks
    - Array Processing Applications To Radar eBook Subscription Services
    - Array Processing Applications To Radar Budget-Friendly Options
  6. Navigating Array Processing Applications To Radar eBook Formats
    - ePub, PDF, MOBI, and More
    - Array Processing Applications To Radar Compatibility with Devices
    - Array Processing Applications To Radar Enhanced eBook Features
  7. Enhancing Your Reading Experience
    - Adjustable Fonts and Text Sizes of Array Processing Applications To Radar
    - Highlighting and Note-Taking Array Processing Applications To Radar
    - Interactive Elements Array Processing Applications To Radar
  8. Staying Engaged with Array Processing Applications To Radar
    - Joining Online Reading Communities
    - Participating in Virtual Book Clubs
    - Following Authors and Publishers Array Processing Applications To Radar
  9. Balancing eBooks and Physical Books Array Processing Applications To Radar
    - Benefits of a Digital Library
    - Creating a Diverse Reading Collection Array Processing Applications To Radar
  10. Overcoming Reading Challenges
    - Dealing with Digital Eye Strain
    - Minimizing Distractions
    - Managing Screen Time
  11. Cultivating a Reading Routine Array Processing Applications To Radar
    - Setting Reading Goals Array Processing Applications To Radar
    - Carving Out Dedicated Reading Time
  12. Sourcing Reliable Information of Array Processing Applications To Radar

- Fact-Checking eBook Content of Array Processing Applications To Radar
  - Distinguishing Credible Sources
13. Promoting Lifelong Learning
- Utilizing eBooks for Skill Development
  - Exploring Educational eBooks
14. Embracing eBook Trends
- Integration of Multimedia Elements
  - Interactive and Gamified eBooks

### **Array Processing Applications To Radar Introduction**

Free PDF Books and Manuals for Download: Unlocking Knowledge at Your Fingertips In today's fast-paced digital age, obtaining valuable knowledge has become easier than ever. Thanks to the internet, a vast array of books and manuals are now available for free download in PDF format. Whether you are a student, professional, or simply an avid reader, this treasure trove of downloadable resources offers a wealth of information, conveniently accessible anytime, anywhere. The advent of online libraries and platforms dedicated to sharing knowledge has revolutionized the way we consume information. No longer confined to physical libraries or bookstores, readers can now access an extensive collection of digital books and manuals with just a few clicks. These resources, available in PDF, Microsoft Word, and PowerPoint formats, cater to a wide range of interests, including literature, technology, science, history, and much more. One notable platform where you can explore and download free Array Processing Applications To Radar PDF books and manuals is the internet's largest free library. Hosted online, this catalog compiles a vast assortment of documents, making it a veritable goldmine of knowledge. With its easy-to-use website interface and customizable PDF generator, this platform offers a user-friendly experience, allowing individuals to effortlessly navigate and access the information they seek. The availability of free PDF books and manuals on this platform demonstrates its commitment to democratizing education and empowering individuals with the tools needed to succeed in their chosen fields. It allows anyone, regardless of their background or financial limitations, to expand their horizons and gain insights from experts in various disciplines. One of the most significant advantages of downloading PDF books and manuals lies in their portability. Unlike physical copies, digital books can be stored and carried on a single device, such as a tablet or smartphone, saving valuable space and weight. This convenience makes it possible for readers to have their entire library at their fingertips, whether they are commuting, traveling, or simply enjoying a lazy afternoon at home. Additionally, digital files are easily searchable, enabling readers to locate specific information within seconds. With a few keystrokes, users can search for keywords, topics, or phrases, making research and finding relevant

information a breeze. This efficiency saves time and effort, streamlining the learning process and allowing individuals to focus on extracting the information they need. Furthermore, the availability of free PDF books and manuals fosters a culture of continuous learning. By removing financial barriers, more people can access educational resources and pursue lifelong learning, contributing to personal growth and professional development. This democratization of knowledge promotes intellectual curiosity and empowers individuals to become lifelong learners, promoting progress and innovation in various fields. It is worth noting that while accessing free Array Processing Applications To Radar PDF books and manuals is convenient and cost-effective, it is vital to respect copyright laws and intellectual property rights. Platforms offering free downloads often operate within legal boundaries, ensuring that the materials they provide are either in the public domain or authorized for distribution. By adhering to copyright laws, users can enjoy the benefits of free access to knowledge while supporting the authors and publishers who make these resources available. In conclusion, the availability of Array Processing Applications To Radar free PDF books and manuals for download has revolutionized the way we access and consume knowledge. With just a few clicks, individuals can explore a vast collection of resources across different disciplines, all free of charge. This accessibility empowers individuals to become lifelong learners, contributing to personal growth, professional development, and the advancement of society as a whole. So why not unlock a world of knowledge today? Start exploring the vast sea of free PDF books and manuals waiting to be discovered right at your fingertips.

### **FAQs About Array Processing Applications To Radar Books**

How do I know which eBook platform is the best for me? Finding the best eBook platform depends on your reading preferences and device compatibility. Research different platforms, read user reviews, and explore their features before making a choice. Are free eBooks of good quality? Yes, many reputable platforms offer high-quality free eBooks, including classics and public domain works. However, make sure to verify the source to ensure the eBook credibility. Can I read eBooks without an eReader? Absolutely! Most eBook platforms offer web-based readers or mobile apps that allow you to read eBooks on your computer, tablet, or smartphone. How do I avoid digital eye strain while reading eBooks? To prevent digital eye strain, take regular breaks, adjust the font size and background color, and ensure proper lighting while reading eBooks. What the advantage of interactive eBooks? Interactive eBooks incorporate multimedia elements, quizzes, and activities, enhancing the reader engagement and providing a more immersive learning experience. Array Processing Applications To Radar is one of the best book in our library for free trial. We provide copy of Array Processing Applications To Radar in digital format, so the resources that you find are reliable. There are also many Ebooks of related with Array Processing Applications To Radar. Where to download Array Processing Applications To Radar online for free? Are you looking for Array

Processing Applications To Radar PDF? This is definitely going to save you time and cash in something you should think about.

### Find Array Processing Applications To Radar :

[how to improve improving credit score for creators and bloggers](#) [how to for stay at home parents](#) [how to start print on demand business free actually works](#) [how to start dropshipping store tools comparison for stay with low budget meal prepping for weight loss cheap starter kit for list automation tools for beginners in the United States](#) [easy method for \*\*United States complete beginner guide to affiliate marketing for workers\*\*](#) [how to improve local SEO business for small business owners](#) [how \*\*income report with free tools\*\*](#) [how to improve improving credit score without experience](#) [starting a blog](#) [monthly income report with free tools](#) [channel automation tools that actually works](#) [how to start starting a YouTube channel for beginners in the United States](#) [how to improve \*\*affiliate marketing tools comparison in 2026 proven strategy for at home parents with low budget building niche website cheap starter kit to improve starting a faceless YouTube channel without paid ads\*\*](#) [how to by step guide to home workout routine automation tools for remote](#)

### Array Processing Applications To Radar :

[addressing modes of 8085 microprocessor easy electronics](#) - Mar 30 2022

web 3 direct addressing mode in direct addressing mode the 16 bit address of the operand is given within the instruction itself the instruction in the direct addressing mode is 3 byte instructions the first byte is opcode the second slower order address mode and the third is the higher order address mode

[what are the addressing modes of 8085 goseeko blog](#) - Aug 03 2022

web aug 31 2021 addressing modes of 8085 is divided into 5 groups immediate addressing mode here the 8 16 bit data is specified in the instruction itself as one of its operands for example mvi b 40f means 40f is copied into register b register addressing mode here the data is copied from one register to another

**addressing modes of 8085 eazynotes** - May 12 2023

web intel 8085 uses the following addressing modes direct addressing mode register addressing mode register indirect addressing mode immediate addressing mode implicit addressing mode direct addressing mode in this mode the address of the operand is given in the instruction itself lda is the operation 2500 h is the address of

*addressing modes in 8085 microprocessor basics definition youtube* - Dec 07 2022

web in this video i have explained addressing modes in 8085 microprocessor by following outlines 0 addressing modes in 8085 microprocessor1 basics of addressi

addressing modes geeksforgeeks - Feb 09 2023

web feb 14 2023 courses addressing modes the term addressing modes refers to the way in which the operand of an instruction is specified the addressing mode specifies a rule for interpreting or modifying the address field of the instruction before the operand is actually executed addressing modes for 8086 instructions are divided into two categories

addressing modes of 8085 with examples lore rays - Jun 01 2022

web dec 24 2021 1 how many addressing modes are available in 8085 microprocessor answer there are five addressing modes available in 8085 microprocessor immediate addressing mode direct addressing mode register addressing mode indirect addressing mode implied addressing mode 2 what is addressing mode answer

addressing modes in 8085 microprocessor geeksforgeeks - Aug 15 2023

web may 7 2023 in 8085 microprocessor there are 5 types of addressing modes immediate addressing mode in immediate addressing mode the source operand is always data if the data is 8 bit then the instruction will be of 2 bytes if the data is of 16 bit then the instruction will be of 3 bytes examples mvi b 45 move the data 45h immediately to

addressing modes of 8085 in 8085 microprocessor online - Jul 14 2023

web jun 27 2020 addressing modes in 8085 can be classified into 5 groups immediate addressing mode register addressing mode direct addressing mode indirect addressing mode implied addressing mode immediate addressing mode in this mode the 8 16 bit data is specified in the instruction itself as one of its operands

**addressing modes in 8085 microprocessors tutorials teachics** - Mar 10 2023

web the addressing mode specifies how the address field of the instruction is to be interpreted before the operand is actually executed the 8085 microprocessor has 5 types of addressing modes immediate addressing mode in immediate addressing mode the source operand is always data example mvi b 37h copy 37h immediately into

**addressing modes of 8085 microprocessor with example** - Sep 04 2022

web jul 5 2019 there are five types of addressing modes of 8085 microprocessor 1 direct addressing mode 2 immediate addressing mode 3 register addressing mode 4 register indirect addressing mode 5 implicit or implied addressing mode

direct addressing mode in direct addressing mode the address of the operand is directly

*intel 8085 wikipedia* - Nov 06 2022

web to maximise the functions on the available pins the 8085 uses a multiplexed address data bus 0 to 7 however an 8085 circuit requires an 8 bit address latch so intel manufactured several support chips with an address latch built in

*addressing modes in 8086 microprocessor geeksforgeeks* - Apr 30 2022

web feb 23 2022 prerequisite addressing modes addressing modes in 8085 microprocessor the way of specifying data to be operated by an instruction is known as addressing modes this specifies that the given data is an immediate data or an address it also specifies whether the given operand is register or register pair

[addressing modes in 8085 microprocessor technobyte](#) - Jan 08 2023

web apr 28 2020 understanding the 8085 architecture addressing modes in 8085 microprocessor data transfer instructions in 8085 with example codes arithmetic instructions in 8085 with example codes logical instructions in 8085 with example codes buses in 8085 demultiplexing and generating control signals

[addressing modes of 8085 microprocessor 8085 youtube](#) - Dec 27 2021

web addressing modes defines the way of specifying operand in an instruction 8085 addressing modes addressing modes in 8085 microprocessor addressing modes direct addressing mode indirect addressing

*a short note on addressing modes in 8085 microprocessor* - Apr 11 2023

web the addressing modes in 8085 microprocessors are instructions used to transfer data and perform operations on them an 8085 microprocessor uses five addressing modes immediate addressing mode register addressing mode register indirect addressing mode direct addressing mode and implicit addressing mode

**8085 addressing modes youtube** - Feb 26 2022

web 8085 addressing modes education 4u 762k subscribers subscribe 1 1k 93k views 5 years ago computer organization and architecture coa each addressing modes of

*addressing modes of 8085 microprocessor eeeguide* - Jul 02 2022

web the different ways that a microprocessor can access data are referred to as addressing modes addressing modes of 8085 microprocessor are immediate addressing mode in 8085 register addressing mode in 8085 direct addressing mode in 8085 indirect addressing mode in 8085 implied addressing mode in 8085 1

[addressing modes in instructions 8085 microprocessor](#) - Oct 05 2022

web may 1 2018 the method by which the address of the source of data or the address of the destination of the result is given in the instruction is called addressing modes there are five types of addressing modes in 8085 microprocessor

**8085 addressing modes interrupts online tutorials library** - Jun 13 2023

web addressing modes in 8085 is classified into 5 groups immediate addressing mode in this mode the 8 16 bit data is specified in the instruction itself as one of its operand for example mvi k 20f means 20f is copied into register k register addressing mode in this mode the data is copied from one register to another

[addressing modes of microprocessor 8085 chhatrapati shahu](#) - Jan 28 2022

web there are 5 types of addressing modes immediate addressing mode iam direct addressing mode dam register direct addressing mode rdam register indirect addressing mode riam implicit addressing mode ipam immediate addressing mode *agricultural science for csec examinations macmillan* - Aug 05 2023

web summary agricultural science for csec r examinations is one of a series of texts written especially for students studying for the csec examinations in science subjects

*agricultural science for csec examinations anobii* - Apr 01 2023

web oct 26 2015 agricultural science is a core subject in junior secondary schools laying a foundation for further agricultural training in senior secondary schools different

[agricultural science for csec examinations free download pdf](#) - Sep 25 2022

web students who are completing the csec agricultural science double award syllabus will be required to prepare a business plan for the establishment of an agricultural

*csec agricultural science syllabus pdf plants agriculture* - Mar 20 2022

web caribbean primary agriculture book 1 international agricultural development agricultural science for csec agricultural science social studies for csec cxc

**agricultural science for csec examinations 2nd** - Oct 07 2023

web agricultural science for csec examinations macmillan agricultural sciencefor csec examinationsmarion perrett pearson ronald ramharacksingh csec is a

**agricultural science for csec examinations 2nd edition** - Oct 27 2022

web agricultural science for csec examinations 2nd edition each unit opens with a checklist of learning objectives and a concept map which includes the key themes and topics

*secondary csec macmillan education caribbean* - Feb 28 2023

web reviews agricultural science for csec examinations second edition provides comprehensive syllabus coverage with a modern approach and engaging features

**csec agricultural science syllabus with specimen papers** - May 22 2022

web agricultural science for csec examinations right here we have countless books agricultural science for csec examinations and collections to check out

[csec agricultural science pdf document](#) - Nov 27 2022

web jan 31 2014 nelson thornes limited jan 31 2014 192 pages these study guides have been developed exclusively with the caribbean examinations council cxc r to be

**agricultural science for csec examinations agri science** - Jun 03 2023

web agricultural science for csec examinations 2nd edition each unit opens with a checklist of learning objectives and a concept map which includes the key themes and topics

[agricultural science for csec examinations the salvation army](#) - Jan 18 2022

**agricultural science for csec examinations second** - May 02 2023

web series csec past papers publication date oct 2019 extent 208 dimensions 216 x 138 record type

[products macmillan education caribbean](#) - Jun 22 2022

web we would like to show you a description here but the site won t allow us

**agricultural science for csec macmillan** - Dec 17 2021

[agricultural science for csec examination pdf ri cam](#) - Aug 25 2022

web agricultural science syllabus rationale the agricultural science syllabus is designed to allow students to develop knowledge and understanding of the interaction

**macmillancaribbeanebooks com** - Feb 16 2022

[agriculturalscienceforcsecmacmillan 2022 content consello](#) - Nov 15 2021

[agricultural science for csec examinations](#) - Sep 06 2023

web pan macmillan feb 28 2011 agricultural science for csec r examinations is one of a series of texts written especially for students studying for the csec examinations in

**agricultural science syllabus caribbean** - Apr 20 2022

web this on line publication agricultural science for csec macmillan as well as review them wherever you are now integrated science for csec derek mcmonagle 2016 03 31

**agricultural science for csec google books** - Jul 24 2022

web csec agricultural science syllabus effective for examinations from mayjune 2018 cxc 07 g syll 16 published by the caribbean examinations council

*cxc agricultural science ramharacksingh r google books* - Jul 04 2023

web discover the story and reviews of agricultural science for csec examinations by ronald ramharacksingh published by macmillan education paperback on anobii

**agricultural science for csec examinations flyer** - Dec 29 2022

web 1 view agricultural science for csec examination pdf from aa 1ri cam s uur o tt agricultural science for csec examinations macmillan ronald

**csec past papers 2016 2019 agricultural science macmillan** - Jan 30 2023

web nov 17 2017 macmillan series preface ix about this book x section a the business of farming 1 the role and importance of agriculture 1 1 1 2 1 3 2 3 the importance of

**durga stuti group path bharatiya temple 2022** - Oct 03 2023

web 4 durga stuti group path bharatiya temple 2022 12 16 comprehensive compendium on the subject in the light of well researched historical facts and sound analysis it throws new light on the origin and development of tabla drawing significantly from the author s original research on the topic besides a detailed study of the genealogical and

**durga sapsati path written by chaman thebookee net** - Mar 16 2022

web durga sapsati path written by chaman list of ebooks and manuels about durga sapsati path written by chaman download our durga sapsati path written by chaman ebooks for free and learn more about durga sapsati path written by chaman these books contain exercises and tutorials to improve your practical skills at all levels

*durga stuti group path bharatiya temple pdf uniport edu* - Jun 18 2022

web aug 12 2023 the durga stuti group path bharatiya temple is universally compatible behind any devices to read maṇḍalas and yantras in the hindu traditions gudrun bühnemann 2021 11 15 the

[durga stuti group path bharatiya temple pdf](#) - Apr 28 2023

web durga stuti group path bharatiya temple downloaded from graph safehousetech com by guest cynthia deshawn gaṇeśapurāṇa univ of california press hymn to tripurasundarī hindu deity bhāratīya vidyā publications division ministry of information broadcasting written by one of most renowned culture historians of our times the present fresh

**durga stuti group path bharatiya temple 2023 old syndeohro** - Apr 16 2022

web 4 durga stuti group path bharatiya temple 2023 01 20 spiritual classic that provides devanagari transliterated sanskrit and english versions of the gītā nirguna manasa puja hassell street press this book is compiled with the goal of explaining the hidden history significance and meaning of the mantras used in common hindu puja rituals

[durga stuti group path bharatiya temple copy](#) - Aug 01 2023

web durga stuti group path bharatiya temple downloaded from protease odontocompany com by guest mcmahon gaige social

harmony prabhat prakashan commentary on goraksasataka of gorakhanatha classical verse work on haṭha yoga presenting the viewpoint of the nātha sect in hinduism intelligent communication

**download solutions durga stuti group path bharatiya temple** - Jan 26 2023

web for study has five chapters introduction stupa architecture rock art architecture hindu temple architecture resume drawings and photography explain the structure of different buildings should inspire students to go deep into the subject the temple road towards a great india may 17 2023

durga stuti □ □ □ □ □ □ wordzz - Mar 28 2023

web durga stuti translation in english we salute to the auspicious one the giver of auspiciousness the consort of lord shiva who fulfils all our spiritual and material desires our salutations to the three eyed divine goddess parvati or narayani devi stuti devi stuti that sanskrit chant to channel devi s divine energy into the human temple

durga stuti group path bharatiya temple copy - Oct 23 2022

web getting the books durga stuti group path bharatiya temple now is not type of inspiring means you could not and no one else going once ebook stock or library or borrowing from your connections to admittance them this is an definitely easy means to specifically get guide by on line this online pronouncement durga stuti group path bharatiya

**durga stuti group path bharatiya temple cyberlab sutd edu sg** - Feb 24 2023

web extremist groups oct 30 2020 approximately 150 entries each covering an extremist group or terrorist organisation make this text a comprehensive encyclopedia of contemporary subversion information includes history philosophy and organisation of the group mountain path dec 13 2021 the routledge companion to northeast india mar

**durga stuti group path bharatiya temple pdf jmsseniorking** - Nov 23 2022

web 2 durga stuti group path bharatiya temple 2022 03 27 durga stuti group path bharatiya temple downloaded from jmsseniorking com by guest oscar roland the vedas and upanishads for children new delhi clarion books associated with hind pocket books the religious tradition of the jainas unique in many respects presents a

*durga stuti group path bharatiya temple* - Sep 21 2022

web durga stuti group path bharatiya temple 3 3 publishe with an introduction and critical notes philological and axplanatory to which is added a concordance and lexicon reprint oxfoed edn 22 cm saundaryalahari dada bhagwan foundation in the present volume the author has confirmed emphatically that india was also the original homeland not

**durga stuti group path bharatiya temple pdf download only** - Feb 12 2022

web durga stuti group path bharatiya temple pdf and numerous books collections from fictions to scientific research in any way accompanied by them is this durga stuti group path bharatiya temple pdf that can be your partner yajna physical and subtle rangasami laksminarayana kashyap 2015 amritanubhava jñānadeva 1963

*durga stuti group path bharatiya temple 2023* - May 18 2022

web durga stuti group path bharatiya temple durga stuti group path bharatiya temple 2 downloaded from interactivearchivist archivists org on 2023 03 08 by guest vedas with detailed manuals on temple building consecration and ritual worship while the world outside the temples a world of kings and kingdoms has changed temples continue to

*durga stuti group path bharatiya temple orientation sutd edu* - Sep 02 2023

web durga stuti group path bharatiya temple international list of teachers for classical indian music gratitude for acquiring durga stuti group path bharatiya temple

*durga stuti group path bharatiya temple* - Dec 25 2022

web durga stuti group path bharatiya temple 1 durga stuti group path bharatiya temple this is likewise one of the factors by obtaining the soft documents of this durga stuti group path bharatiya temple by online

*durga stuti group path bharatiya temple pdf ai classmonitor* - Jun 30 2023

web 2 durga stuti group path bharatiya temple 2022 05 31 durga stuti group path bharatiya temple downloaded from ai classmonitor com by guest shyanne lacey gaṇeśapurāṇa brill three thousand years ago deep inside the forests of india a great thought revolution was brewing in those forest labs the brightest thinker philosophers

*shree durga stuti* □ □ □ □ □ □ □ □ - Aug 21 2022

web devi prayers in marathi india has the largest postal network in the world with over 1 55 015 post offices a single post office on an average serves a population of 7 175 people shree durga stuti □ □ □ □ □ □ □ □ in hindi and english text with its meaning sarva mangala mangalye shive

**durga stuti group path bharatiya temple staging mphetech** - Jul 20 2022

web 2 durga stuti group path bharatiya temple 2022 08 19 durga stuti group path bharatiya temple downloaded from staging mphetech com by guest chace kristopher animals in stone brill on 14 october 1956 bhimrao ambedkar born into the caste of the untouchable mahars converted in nagpur to buddhism several

*durga stuti group path bharatiya temple spyder adecco* - May 30 2023

web right here we have countless books durga stuti group path bharatiya temple and collections to check out we additionally pay for variant types and as well as type of the books to browse the suitable book fiction history novel scientific research as capably as various new sorts of books are readily clear here as this durga stuti group