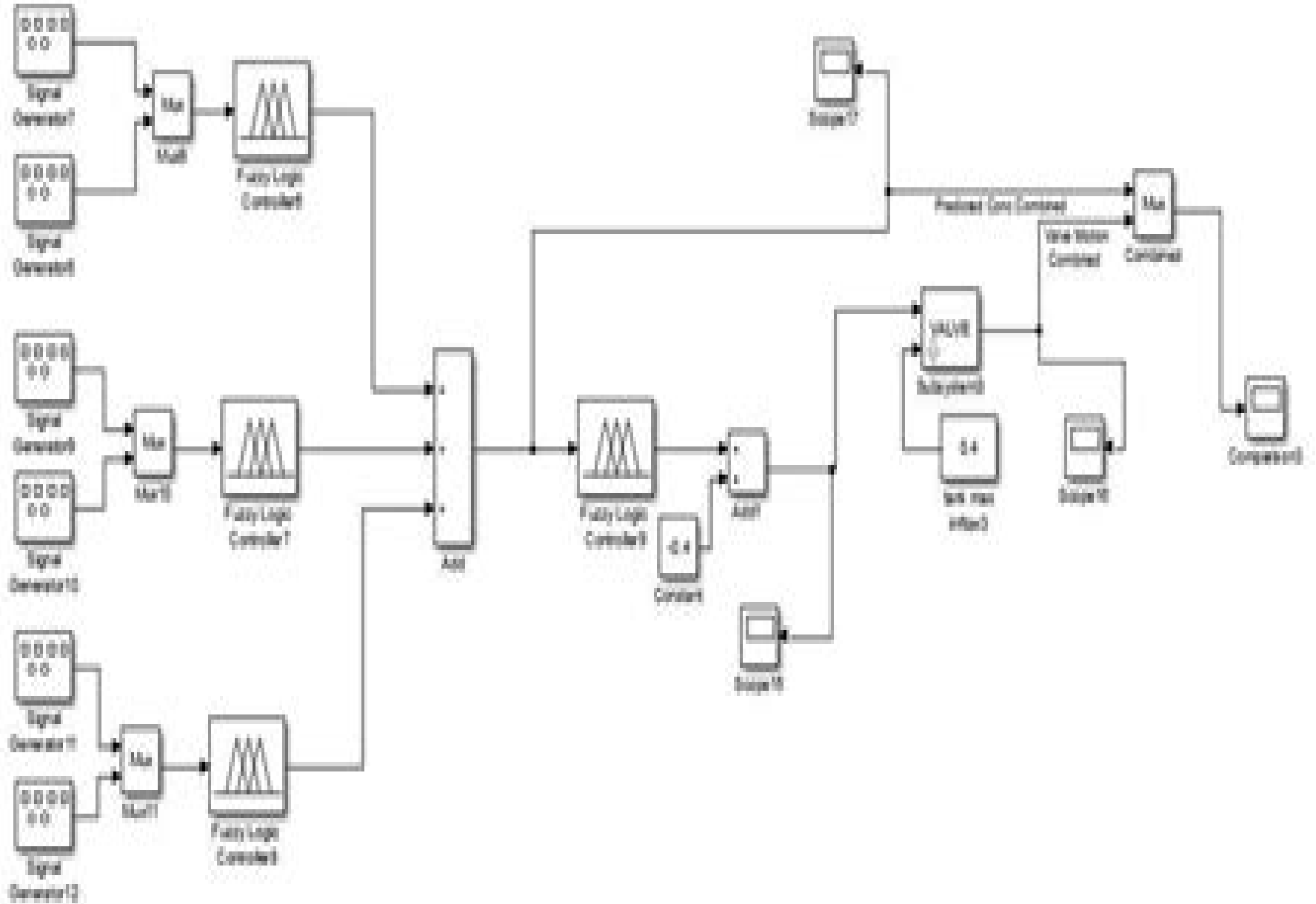


COMBINED VALVE CONTROL



Combined Control System For The Process

F Rizvi



Combined Control System For The Process:

This is likewise one of the factors by obtaining the soft documents of this **Combined Control System For The Process** by online. You might not require more period to spend to go to the books creation as skillfully as search for them. In some cases, you likewise accomplish not discover the publication Combined Control System For The Process that you are looking for. It will unconditionally squander the time.

However below, taking into account you visit this web page, it will be thus unconditionally simple to get as skillfully as download guide Combined Control System For The Process

It will not take on many epoch as we run by before. You can pull off it though deed something else at house and even in your workplace. thus easy! So, are you question? Just exercise just what we come up with the money for below as without difficulty as review **Combined Control System For The Process** what you following to read!

https://enterpriseenrollment.cruiselady.com/files/scholarship/index.jsp/creatures_small_and_furrys_for_young_explorers.pdf

Table of Contents Combined Control System For The Process

1. Understanding the eBook Combined Control System For The Process
 - The Rise of Digital Reading Combined Control System For The Process
 - Advantages of eBooks Over Traditional Books
2. Identifying Combined Control System For The Process
 - Exploring Different Genres
 - Considering Fiction vs. Non-Fiction
 - Determining Your Reading Goals
3. Choosing the Right eBook Platform
 - Popular eBook Platforms
 - Features to Look for in an Combined Control System For The Process
 - User-Friendly Interface
4. Exploring eBook Recommendations from Combined Control System For The Process

- Personalized Recommendations
 - Combined Control System For The Process User Reviews and Ratings
 - Combined Control System For The Process and Bestseller Lists
5. Accessing Combined Control System For The Process Free and Paid eBooks
 - Combined Control System For The Process Public Domain eBooks
 - Combined Control System For The Process eBook Subscription Services
 - Combined Control System For The Process Budget-Friendly Options
 6. Navigating Combined Control System For The Process eBook Formats
 - ePub, PDF, MOBI, and More
 - Combined Control System For The Process Compatibility with Devices
 - Combined Control System For The Process Enhanced eBook Features
 7. Enhancing Your Reading Experience
 - Adjustable Fonts and Text Sizes of Combined Control System For The Process
 - Highlighting and Note-Taking Combined Control System For The Process
 - Interactive Elements Combined Control System For The Process
 8. Staying Engaged with Combined Control System For The Process
 - Joining Online Reading Communities
 - Participating in Virtual Book Clubs
 - Following Authors and Publishers Combined Control System For The Process
 9. Balancing eBooks and Physical Books Combined Control System For The Process
 - Benefits of a Digital Library
 - Creating a Diverse Reading Collection Combined Control System For The Process
 10. Overcoming Reading Challenges
 - Dealing with Digital Eye Strain
 - Minimizing Distractions
 - Managing Screen Time
 11. Cultivating a Reading Routine Combined Control System For The Process
 - Setting Reading Goals Combined Control System For The Process
 - Carving Out Dedicated Reading Time
 12. Sourcing Reliable Information of Combined Control System For The Process

- Fact-Checking eBook Content of Combined Control System For The Process
 - Distinguishing Credible Sources
13. Promoting Lifelong Learning
- Utilizing eBooks for Skill Development
 - Exploring Educational eBooks
14. Embracing eBook Trends
- Integration of Multimedia Elements
 - Interactive and Gamified eBooks

Combined Control System For The Process Introduction

Combined Control System For The Process Offers over 60,000 free eBooks, including many classics that are in the public domain. Open Library: Provides access to over 1 million free eBooks, including classic literature and contemporary works. Combined Control System For The Process Offers a vast collection of books, some of which are available for free as PDF downloads, particularly older books in the public domain. Combined Control System For The Process : This website hosts a vast collection of scientific articles, books, and textbooks. While it operates in a legal gray area due to copyright issues, its a popular resource for finding various publications. Internet Archive for Combined Control System For The Process : Has an extensive collection of digital content, including books, articles, videos, and more. It has a massive library of free downloadable books. Free-eBooks Combined Control System For The Process Offers a diverse range of free eBooks across various genres. Combined Control System For The Process Focuses mainly on educational books, textbooks, and business books. It offers free PDF downloads for educational purposes. Combined Control System For The Process Provides a large selection of free eBooks in different genres, which are available for download in various formats, including PDF. Finding specific Combined Control System For The Process, especially related to Combined Control System For The Process, might be challenging as theyre often artistic creations rather than practical blueprints. However, you can explore the following steps to search for or create your own Online Searches: Look for websites, forums, or blogs dedicated to Combined Control System For The Process, Sometimes enthusiasts share their designs or concepts in PDF format. Books and Magazines Some Combined Control System For The Process books or magazines might include. Look for these in online stores or libraries. Remember that while Combined Control System For The Process, sharing copyrighted material without permission is not legal. Always ensure youre either creating your own or obtaining them from legitimate sources that allow sharing and downloading. Library Check if your local library offers eBook lending services. Many libraries have digital catalogs where you can borrow Combined Control System For The Process eBooks for free, including popular titles. Online Retailers: Websites

like Amazon, Google Books, or Apple Books often sell eBooks. Sometimes, authors or publishers offer promotions or free periods for certain books. Authors Website Occasionally, authors provide excerpts or short stories for free on their websites. While this might not be the Combined Control System For The Process full book, it can give you a taste of the authors writing style. Subscription Services Platforms like Kindle Unlimited or Scribd offer subscription-based access to a wide range of Combined Control System For The Process eBooks, including some popular titles.

FAQs About Combined Control System For The Process Books

How do I know which eBook platform is the best for me? Finding the best eBook platform depends on your reading preferences and device compatibility. Research different platforms, read user reviews, and explore their features before making a choice. Are free eBooks of good quality? Yes, many reputable platforms offer high-quality free eBooks, including classics and public domain works. However, make sure to verify the source to ensure the eBook credibility. Can I read eBooks without an eReader? Absolutely! Most eBook platforms offer webbased readers or mobile apps that allow you to read eBooks on your computer, tablet, or smartphone. How do I avoid digital eye strain while reading eBooks? To prevent digital eye strain, take regular breaks, adjust the font size and background color, and ensure proper lighting while reading eBooks. What the advantage of interactive eBooks? Interactive eBooks incorporate multimedia elements, quizzes, and activities, enhancing the reader engagement and providing a more immersive learning experience. Combined Control System For The Process is one of the best book in our library for free trial. We provide copy of Combined Control System For The Process in digital format, so the resources that you find are reliable. There are also many Ebooks of related with Combined Control System For The Process. Where to download Combined Control System For The Process online for free? Are you looking for Combined Control System For The Process PDF? This is definitely going to save you time and cash in something you should think about. If you trying to find then search around for online. Without a doubt there are numerous these available and many of them have the freedom. However without doubt you receive whatever you purchase. An alternate way to get ideas is always to check another Combined Control System For The Process. This method for see exactly what may be included and adopt these ideas to your book. This site will almost certainly help you save time and effort, money and stress. If you are looking for free books then you really should consider finding to assist you try this. Several of Combined Control System For The Process are for sale to free while some are payable. If you arent sure if the books you would like to download works with for usage along with your computer, it is possible to download free trials. The free guides make it easy for someone to free access online library for download books to your device. You can get free download on free trial for lots of books categories. Our library is the biggest of these that have literally hundreds of thousands of different products categories represented. You

will also see that there are specific sites catered to different product types or categories, brands or niches related with Combined Control System For The Process. So depending on what exactly you are searching, you will be able to choose e books to suit your own need. Need to access completely for Campbell Biology Seventh Edition book? Access Ebook without any digging. And by having access to our ebook online or by storing it on your computer, you have convenient answers with Combined Control System For The Process To get started finding Combined Control System For The Process, you are right to find our website which has a comprehensive collection of books online. Our library is the biggest of these that have literally hundreds of thousands of different products represented. You will also see that there are specific sites catered to different categories or niches related with Combined Control System For The Process So depending on what exactly you are searching, you will be able to choose ebook to suit your own need. Thank you for reading Combined Control System For The Process. Maybe you have knowledge that, people have search numerous times for their favorite readings like this Combined Control System For The Process, but end up in harmful downloads. Rather than reading a good book with a cup of coffee in the afternoon, instead they juggled with some harmful bugs inside their laptop. Combined Control System For The Process is available in our book collection an online access to it is set as public so you can download it instantly. Our digital library spans in multiple locations, allowing you to get the most less latency time to download any of our books like this one. Merely said, Combined Control System For The Process is universally compatible with any devices to read.

Find Combined Control System For The Process :

creatures small and furrys for young explorers

~~erescent moon~~

criminal area a study in social ecology

creed no. 3 powder keg

crime song la ballade de billy porter

~~ericket getting into~~

crime and justice vol. 12 an annual review of reseach

creative expression and play in the early childhood curriculum

crime at sea a practical guide

crime and gods judgment in shakespeare

criminology of edwin sutherland

~~eredo i believe faith and life series 5~~

crime and the nation prison reforms and popular fiction in philadelphia 1786-1800

crime and conflict in english communities 1300-1348
crediton killings

Combined Control System For The Process :

Anatomy & Physiology (Seely's Anatomy &... by ... Anatomy & Physiology (Seely's Anatomy & Physiology Ninth Edition) [Cinnamon VanPutte, Jennifer L. Regan, Andrew F. Russo] on Amazon.com. seeleys-essentials-of-anatomy-and-physiology- ... For each of us, authoring this text is a culmination of our passion for teaching and represents an opportunity to pass knowledge on to students beyond our own ... Seeley's Essentials of Anatomy and Physiology: ... Seeley's Essentials of Anatomy and Physiology. 9th Edition. ISBN-13: 978-0078097324, ISBN-10: 0078097320. 4.6 4.6 out of 5 stars 69 Reviews. 4.2 on Goodreads. (... Seeleys Essentials of Anatomy and Physiology 9th Edition Seeleys Essentials of Anatomy and Physiology 9th Edition. seeleys anatomy physiology 9th edition - AbeBooks Seeley's Anatomy & Physiology, 9th edition by Vanputte, Cinnamon, Regan, Jennifer, Russo, Andrew and a great selection of related books, ... Seeley's Anatomy & Physiology, 9th edition This text is designed to help students develop a solid, basic understanding of anatomy and physiology without an encyclopedic presentation of detail. Seeley S Anatomy And Physiology for sale Seeley's Essentials Of Anatomy & Physiology 9th Edition Russo Regan Book. Pre-Owned. Seeley's Anatomy & Physiology | Rent | 9780077350031 Seeley's Anatomy & Physiology 9th edition ; Edition: 9th edition ; ISBN-13: 978-0077350031 ; Format: Hardback ; Publisher: McGraw-Hill Science/Engineering/Math (1/5/ ... Seeley's Anatomy and Physiology 9th Edition This text is designed to help students develop a solid, basic understanding of anatomy and physiology without an encyclopedic presentation of detail. Seeley's Essentials of Anatomy and Physiology Buy Seeley's Essentials of Anatomy and Physiology 9th edition (9780078097324) by Cinnamon Vanputte for up to 90% off at Textbooks.com. Services Marketing: People, Technology, Strategy Services Marketing: People, Technology, Strategy. 7th Edition. ISBN-13: 978-0136107217, ISBN-10: 0136107214. 4.1 4.1 out of 5 stars 109 Reviews. 4.1 on ... Services Marketing (7th Edition) by Lovelock, Christopher ... Written on a 5th grade level, with cases that are out of date, and dated. the author is very verbose, and repetitive, its for an introductory freshmen level ... Services Marketing: Integrating Customer Focus Across ... The seventh edition maintains a managerial focus by incorporating company examples and strategies for addressing issues in every chapter, emphasizing the ... Services Marketing: People, Technology, Strategy, 7th edition Oct 31, 2023 — An examination of the relationship between the key elements of the services marketing management model (internal and external marketing, ... Services Marketing: People, Technology, Strategy, 7th ... This globally leading textbook extensively updated to feature the latest academic research, industry trends, and technology, social media and case examples. Services Marketing 7th edition 9781260083521 Services Marketing 7th Edition is written by Valarie Zeithaml; Mary Jo Bitner; Dwayne Gremler and published by McGraw-Hill Higher

Education (International). Services Marketing, Global Edition Services Marketing, Global Edition, 7th edition. Published by Pearson ... Services Marketing, Global Edition. Published 2015. Paperback. £76.99. Buy now. Free ... Services Marketing: Integrating Customer Focus Across ... The seventh edition maintains a managerial focus by incorporating company examples and strategies for addressing issues in every chapter, emphasizing the ... Services Marketing: People, Technology, ... Services Marketing: People, Technology, Strategy, by Lovelock, 7th Edition by Jochen Wirtz, Christopher H Lovelock - ISBN 10: 0136107249 - ISBN 13: ... Services Marketing 7th edition 9780078112102 0078112109 Rent Services Marketing 7th edition (978-0078112102) today, or search our site for other textbooks by Zeithaml. Every textbook comes with a 21-day "Any ... The ROM Field Guide to Birds of Ontario: Janice M. Hughes This landmark publication features: • Detailed and clearly written descriptions of more than 300 migrant and resident Ontario bird species and accidentals, ... The ROM Field Guide to Birds of Ontario The definitive guide to birds of Ontario. Includes all species observed in Ontario. Written in clear, assesible language. Hundreds of photographs from many ... American Birding Association Field Guide to Birds of Ontario ... Ontario is a paradise for birds and for birders. This new field guide is the most comprehensive and up-to-date photographic guide to birds of Ontario: • 550 ... The ROM Field Guide to Birds of Ontario - Janice M. Hughes It is the most authoritative, easy to use, and beautifully designed guide to Ontario birds available. This landmark publication features: · Detailed and clearly ... The ROM Field Guide to Birds of Ontario - Over 300 easy-to-read colour distribution maps, showing summer and winter ranges and breeding grounds. - Handy page-per-species format, with photo, ... The ROM Field Guide to Birds of Ontario This unique publication, produced in association with the Royal Ontario Museum, is the guide Ontario birders have been waiting for... The ROM Field Guide to ... The ROM Field Guide to Birds of Ontario by Royal ... - Over 300 easy-to-read colour distribution maps, showing summer and winter ranges and breeding grounds. - Handy page-per-species format, with photo, ... The Rom Field Guide to Birds of Ontario The guide is prefaced with a list of tips for easier bird identification, including seasonal migration habits, an explanation of Ontario's diverse habitats, and ... The Rom Field Guide To Birds Of Ontario Buy the book The Rom Field Guide To Birds Of Ontario by janice hughes,royal ontario museum at Indigo. The ROM Field Guide to Birds of Ontario birds of Ontario. The book works on a one-bird-per-page basis for 345 birds considered regular in the province, plus an appendix giving briefer ...