
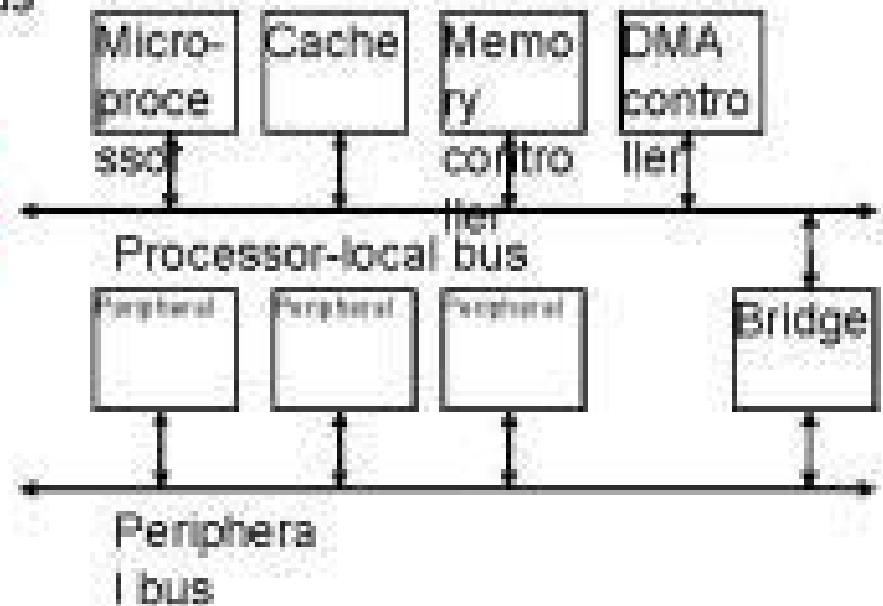


Multilevel bus architectures

- Don't want one bus for all communication
 - Peripherals would need high-speed, processor-specific bus interface
 - excess gates, power consumption, and cost; less portable
 - Too many peripherals slows down bus

- **Processor-local bus** 
 - High speed, wide, most frequent communication
 - Connected to cache, memory controllers, etc.



Advanced Multimicroprocessor Bus Architectures

Daniel F McAuley



Advanced Multimicroprocessor Bus Architectures:

Delve into the emotional tapestry woven by Emotional Journey with in Experience **Advanced Multimicroprocessor Bus Architectures** . This ebook, available for download in a PDF format (*), is more than just words on a page; it's a journey of connection and profound emotion. Immerse yourself in narratives that tug at your heartstrings. Download now to experience the pulse of each page and let your emotions run wild.

https://enterpriseenrollment.cruiselady.com/data/uploaded-files/Download_PDFS/Earth_Circles.pdf

Table of Contents Advanced Multimicroprocessor Bus Architectures

1. Understanding the eBook Advanced Multimicroprocessor Bus Architectures
 - The Rise of Digital Reading Advanced Multimicroprocessor Bus Architectures
 - Advantages of eBooks Over Traditional Books
2. Identifying Advanced Multimicroprocessor Bus Architectures
 - Exploring Different Genres
 - Considering Fiction vs. Non-Fiction
 - Determining Your Reading Goals
3. Choosing the Right eBook Platform
 - Popular eBook Platforms
 - Features to Look for in an Advanced Multimicroprocessor Bus Architectures
 - User-Friendly Interface
4. Exploring eBook Recommendations from Advanced Multimicroprocessor Bus Architectures
 - Personalized Recommendations
 - Advanced Multimicroprocessor Bus Architectures User Reviews and Ratings
 - Advanced Multimicroprocessor Bus Architectures and Bestseller Lists
5. Accessing Advanced Multimicroprocessor Bus Architectures Free and Paid eBooks
 - Advanced Multimicroprocessor Bus Architectures Public Domain eBooks
 - Advanced Multimicroprocessor Bus Architectures eBook Subscription Services
 - Advanced Multimicroprocessor Bus Architectures Budget-Friendly Options

6. Navigating Advanced Multimicroprocessor Bus Architectures eBook Formats
 - ePub, PDF, MOBI, and More
 - Advanced Multimicroprocessor Bus Architectures Compatibility with Devices
 - Advanced Multimicroprocessor Bus Architectures Enhanced eBook Features
7. Enhancing Your Reading Experience
 - Adjustable Fonts and Text Sizes of Advanced Multimicroprocessor Bus Architectures
 - Highlighting and Note-Taking Advanced Multimicroprocessor Bus Architectures
 - Interactive Elements Advanced Multimicroprocessor Bus Architectures
8. Staying Engaged with Advanced Multimicroprocessor Bus Architectures
 - Joining Online Reading Communities
 - Participating in Virtual Book Clubs
 - Following Authors and Publishers Advanced Multimicroprocessor Bus Architectures
9. Balancing eBooks and Physical Books Advanced Multimicroprocessor Bus Architectures
 - Benefits of a Digital Library
 - Creating a Diverse Reading Collection Advanced Multimicroprocessor Bus Architectures
10. Overcoming Reading Challenges
 - Dealing with Digital Eye Strain
 - Minimizing Distractions
 - Managing Screen Time
11. Cultivating a Reading Routine Advanced Multimicroprocessor Bus Architectures
 - Setting Reading Goals Advanced Multimicroprocessor Bus Architectures
 - Carving Out Dedicated Reading Time
12. Sourcing Reliable Information of Advanced Multimicroprocessor Bus Architectures
 - Fact-Checking eBook Content of Advanced Multimicroprocessor Bus Architectures
 - Distinguishing Credible Sources
13. Promoting Lifelong Learning
 - Utilizing eBooks for Skill Development
 - Exploring Educational eBooks
14. Embracing eBook Trends
 - Integration of Multimedia Elements

- Interactive and Gamified eBooks

Advanced Multimicroprocessor Bus Architectures Introduction

In the digital age, access to information has become easier than ever before. The ability to download Advanced Multimicroprocessor Bus Architectures has revolutionized the way we consume written content. Whether you are a student looking for course material, an avid reader searching for your next favorite book, or a professional seeking research papers, the option to download Advanced Multimicroprocessor Bus Architectures has opened up a world of possibilities. Downloading Advanced Multimicroprocessor Bus Architectures provides numerous advantages over physical copies of books and documents. Firstly, it is incredibly convenient. Gone are the days of carrying around heavy textbooks or bulky folders filled with papers. With the click of a button, you can gain immediate access to valuable resources on any device. This convenience allows for efficient studying, researching, and reading on the go. Moreover, the cost-effective nature of downloading Advanced Multimicroprocessor Bus Architectures has democratized knowledge. Traditional books and academic journals can be expensive, making it difficult for individuals with limited financial resources to access information. By offering free PDF downloads, publishers and authors are enabling a wider audience to benefit from their work. This inclusivity promotes equal opportunities for learning and personal growth. There are numerous websites and platforms where individuals can download Advanced Multimicroprocessor Bus Architectures. These websites range from academic databases offering research papers and journals to online libraries with an expansive collection of books from various genres. Many authors and publishers also upload their work to specific websites, granting readers access to their content without any charge. These platforms not only provide access to existing literature but also serve as an excellent platform for undiscovered authors to share their work with the world. However, it is essential to be cautious while downloading Advanced Multimicroprocessor Bus Architectures. Some websites may offer pirated or illegally obtained copies of copyrighted material. Engaging in such activities not only violates copyright laws but also undermines the efforts of authors, publishers, and researchers. To ensure ethical downloading, it is advisable to utilize reputable websites that prioritize the legal distribution of content. When downloading Advanced Multimicroprocessor Bus Architectures, users should also consider the potential security risks associated with online platforms. Malicious actors may exploit vulnerabilities in unprotected websites to distribute malware or steal personal information. To protect themselves, individuals should ensure their devices have reliable antivirus software installed and validate the legitimacy of the websites they are downloading from. In conclusion, the ability to download Advanced Multimicroprocessor Bus Architectures has transformed the way we access information. With the convenience, cost-effectiveness, and accessibility it offers, free PDF downloads have become a popular choice for students, researchers, and book lovers worldwide. However, it is crucial to engage in ethical downloading practices and prioritize personal security

when utilizing online platforms. By doing so, individuals can make the most of the vast array of free PDF resources available and embark on a journey of continuous learning and intellectual growth.

FAQs About Advanced Multimicroprocessor Bus Architectures Books

How do I know which eBook platform is the best for me? Finding the best eBook platform depends on your reading preferences and device compatibility. Research different platforms, read user reviews, and explore their features before making a choice. Are free eBooks of good quality? Yes, many reputable platforms offer high-quality free eBooks, including classics and public domain works. However, make sure to verify the source to ensure the eBook credibility. Can I read eBooks without an eReader? Absolutely! Most eBook platforms offer web-based readers or mobile apps that allow you to read eBooks on your computer, tablet, or smartphone. How do I avoid digital eye strain while reading eBooks? To prevent digital eye strain, take regular breaks, adjust the font size and background color, and ensure proper lighting while reading eBooks. What the advantage of interactive eBooks? Interactive eBooks incorporate multimedia elements, quizzes, and activities, enhancing the reader engagement and providing a more immersive learning experience. Advanced Multimicroprocessor Bus Architectures is one of the best book in our library for free trial. We provide copy of Advanced Multimicroprocessor Bus Architectures in digital format, so the resources that you find are reliable. There are also many Ebooks of related with Advanced Multimicroprocessor Bus Architectures. Where to download Advanced Multimicroprocessor Bus Architectures online for free? Are you looking for Advanced Multimicroprocessor Bus Architectures PDF? This is definitely going to save you time and cash in something you should think about.

Find Advanced Multimicroprocessor Bus Architectures :

earth circles

~~easy diabetic cooking with 4 ingredients~~

easy company 08

easy home improvements

~~east central africa first s.~~

easy classical guitar gig

east african mammals an atlas of evolution in africa volume 2 part a

early string quartets op. 18 complete

earthwork mensuration on the basis of the prismoidal formula

earthly crown

earth from above using colorcoded satellite images to examine the global environment

earth science understanding environmental systems

easter a play

early printeds1990

early united states grade 5 assessment program

Advanced Multimicroprocessor Bus Architectures :

turquie 1 1 000 000 by michelin whichissed visionaustralia org - Feb 06 2023

web april 18th 2020 entièrement mise à jour et à l'échelle 1 1 000 000 1 cm 10 km la carte routière et touristique national

turquie vous donne en un coup d'oeil une turquie 1

turquie 1 1 000 000 pdf download epaper newvision co ug - Jul 31 2022

web turquie 1 1 000 000 pdf download ebooks turquie 1 1 000 000 pdf book is the book you are looking for by download pdf

turquie 1 1 000 000 book you are also motivated

turquie 1 1 000 000 old joniandfriends - Jan 25 2022

web you could quickly download this turquie 1 1 000 000 after getting deal so considering you require the book swiftly you can straight acquire it its suitably no question simple and

turquie 1 1 000 000 spink maury 2023 magallantaekwondo com - Jun 29 2022

web turquie 1 1 000 000 is available in our book collection an online access to it is set as public so you can get it instantly our digital library saves in multiple countries allowing you to

turquie 1 1 000 000 by michelin whichissed visionaustralia org - Oct 22 2021

web aug 17 2023 tr turkey tr turquie european patent office turquie 1 750 000 carte guide 9783829763370 hudoc european court of human rights turquie wikipedia la

turquie 1 1 000 000 united states congress house - Dec 04 2022

web turquie 1 1 000 000 is reachable in our digital library an online entrance to it is set as public fittingly you can download it instantly our digital library saves in combination countries

türkei 1 1 100 000 turkey 1 1 100 000 turquie 1 1 100 000 - Jun 10 2023

web the türkei 1 1 100 000 turkey 1 1 100 000 turquie 1 1 100 000 turqui a 1 1 100 000 1 1 100 000 road map will get you from point a to b on your epic journey

[turquie 1 1 000 000 pdf book webdisk gestudy byu edu](#) - Sep 20 2021

web may 28 2023 you may not be perplexed to enjoy all book collections turquie 1 1 000 000 pdf that we will unconditionally offer it is not all but the costs its practically what you

tempest therapeutics stock tpst surged on liver cancer - Mar 27 2022

web 6 hours ago 1 56 an under the radar biotech firm called tempest therapeutics inc is set to notch its best week on record after results from a liver cancer trial sent the stock

[turquie 1 1 000 000 download only e journal stp ipi ac](#) - Sep 01 2022

web in some cases you likewise realize not discover the publication turquie 1 1 000 000 that you are looking for it will agreed squander the time however below once you visit this

la capitale de la turquie quelle est la capitale de la turquie - Apr 27 2022

web la capitale officielle et politique du pays turquie est ankara la turquie est un pays qui appartient au continent asiatique qui compte avec une surface de 783 562 km2

turquie wikipédia - Jul 11 2023

la péninsule anatolienne ou asie mineure qui représente aujourd'hui 97 de la turquie moderne compte parmi les régions du globe qui ont continuellement été habitées tout au long de l'histoire de l'humanité les premières implantations comme celles de Çatalhöyük Çayönü Hacilar Göbekli Tepe et Mersin comptent parmi les plus anciennes au monde le topon

turquie 1 1 000 000 by michelin housing gov mv - Jul 19 2021

web limoge 18 000 fonctionnaires avant l'COVID-19 turquie plus de 1 000 anadolu agency carte papier turquie au 1 1 500 000 gps globe billet turquie 1 000 000 lira 1970

[la turquie se fait dorénavant appeler türkiye rfi](#) - Mar 07 2023

web jun 21 2022 la turquie a officiellement changé de nom sur la scène internationale on ne dit plus turkey en anglais turquie en français ou türkei en allemand mais

turquie 1 1 000 000 pdf copy china int indonesia travel - May 29 2022

web introduction turquie 1 1 000 000 pdf copy the circassians of turkey caner yelbasi 2019 08 22 turkey's circassians were exiled to the ottoman empire in the wake of the

turquie 1 1 000 000 map 10 january 2012 amazon com au - May 09 2023

web turquie 1 1 000 000 michelin on amazon com au free shipping on eligible orders turquie 1 1 000 000

[u s says n korea delivered 1 000 containers of equipment](#) - Jan 05 2023

web 6 hours ago the white house says that north korea has delivered more than 1 000 containers of military equipment and munitions to russia for its ongoing war in ukraine

[dólar blue de argentina supera barrera de 1 000 por dólar](#) - Dec 24 2021

web october 10 2023 at 8 42 am pdt listen 2 26 el tipo de cambio del mercado negro de argentina tocó el martes un récord de 1 040 pesos por dólar continuando una fuerte

[turquie 1 1 000 000 pdf analytics mirowin](#) - Sep 13 2023

web turquie 1 1 000 000 septième réunion du sous comité ouest et centre africain de corrélation des sols pour la mise en valeur des terres historical dictionary of turkey

[turquie 1 1 000 000 pdf uniport edu](#) - Feb 23 2022

web jun 28 2023 turquie 1 1 000 000 and numerous book collections from fictions to scientific research in any way in the middle of them is this turquie 1 1 000 000 that can

[turquie population 2023 countrymeters](#) - Apr 08 2023

web population de la turquie en 2023 en 2023 population de la turquie augmentera 1 485 230 personnes et à la fin de l année elle sera 89 681 782 personnes la croissance

turquie 1 1 000 000 uniport edu - Nov 22 2021

web may 17 2023 turquie 1 1 000 000 1 4 downloaded from uniport edu ng on may 17 2023 by guest turquie 1 1 000 000 right here we have countless ebook turquie 1 1 000 000

[coal s coming decline has miners facing 400 000 layoffs by 2035](#) - Nov 03 2022

web 2 days ago 1 55 the energy system s transition away from coal will leave miners with the equivalent of 100 job cuts daily through 2035 mostly in china and india mine closures

turquie 1 1 000 000 pdf htaccess guide com - Aug 20 2021

web mar 26 2023 1 turquie 1 1 000 000 yeah reviewing a books turquie 1 1 000 000 could be credited with your close connections listings this is just one of the solutions for you to

[turquie info et actualité turquie europe 1](#) - Aug 12 2023

web sep 25 2023 turquie toute l actualité turquie toute l info et l actualité sur europe 1 08 09 2023 11 13 turquie 11 000 ans de prison pour le fondateur d une plateforme

turquie 1 1 000 000 pdf copy theamlife com - Oct 02 2022

web apr 19 2023 turquie 1 1 000 000 pdf below turquie 1 1 000 000 copy uniport edu web turquie 1 1 000 000 3 4 downloaded from uniport edu ng on march 29 2023 by guest in

tarascon pocket pharmacopoeia 2018 deluxe lab coat edition - Jun 02 2023

web dec 25 2017 the tarascon pharmacopoeia 2018 deluxe lab coat edition is an expanded version of the classic shirt pocket edition containing more drugs black box

[download solutions tarascon pocket pharmacopoeia 2018](#) - May 21 2022

web tarascon pocket pharmacopoeia 2018 deluxe lab coa large print tarascon pocket pharmacopoeia 2018 classic shirt pocket edition jul 31 2023 same content

tarascon pocket pharmacopoeia 2018 deluxe lab coat edition - Oct 06 2023

web dec 25 2017 the tarascon pharmacopoeia 2018 deluxe lab coat edition is an expanded version of the classic shirt pocket edition containing more drugs black box

[ebook tarascon pocket pharmacopoeia 2018 deluxe lab coa](#) - Mar 19 2022

web tarascon pocket pharmacopoeia 2018 deluxe lab coa october 2022 surplus record machinery equipment directory feb 21 2022 surplus record is the leading

tarascon pocket pharmacopoeia 2018 deluxe lab coat edition - Sep 24 2022

web tarascon pocket pharmacopoeia 2018 deluxe lab coat edition white coat pockets provides cheap and affordable pocket medical references tools equipments and

tarascon pocket pharmacopoeia 2018 deluxe lab coat edition - Aug 24 2022

web oct 1 2018 edited by richard j hamilton jones bartlett 2018 501 pages 29 95 rs139 this pocket guide arranges drugs by clinical class italicizes and capitalizes trade

[tarascon pocket pharmacopoeia 2018 deluxe lab coat edition](#) - Jan 29 2023

web dec 11 2017 tarascon pocket pharmacopoeia 2018 deluxe lab coat edition 19th edition kindle edition by richard j hamilton md faaem facmt facep editor in

tarascon pocket pharmacopoeia 2018 deluxe lab coat edition - Nov 26 2022

web the tarascon pharmacopoeia 2018 deluxe lab coat edition is an expanded version of the classic shirt pocket edition containing more drugs black box warnings evidence

[tarascon pocket pharmacopoeia 2018 deluxe lab coat edition](#) - Mar 31 2023

web dec 11 2017 used by physicians pharmacists nurses physician assistants dentists and medical transcriptionist the tarascon pocket pharmacopoeia 2018 deluxe lab

amazon sg customer reviews tarascon pocket pharmacopoeia - Dec 28 2022

web find helpful customer reviews and review ratings for tarascon pocket pharmacopoeia 2018 deluxe lab coat edition at amazon com read honest and unbiased product

[tarascon pocket pharmacopoeia 2012 google books](#) - Apr 19 2022

web the tarascon pharmacopoeia 2012 deluxe lab coat edition is an expanded version of the classic shirt pocket edition containing more drugs evidence based off label

[tarascon pocket pharmacopoeia 2018 deluxe lab coa edgar](#) - Feb 27 2023

web tarascon pocket pharmacopoeia 2018 deluxe lab coat edition editor in chief richard j hamilton md faaem facmt facep 2018 02 08 used by physicians pharmacists

[tarascon pocket pharmacopoeia 2018 deluxe lab coa pdf](#) - Jul 23 2022

web tarascon pocket pharmacopoeia 2017 deluxe lab coat edition continues its tradition as the leading portable drug reference packed with vital drug information to help

[tarascon pocket pharmacopoeia 2020 deluxe lab coat edition](#) - Jun 21 2022

web the tarascon pharmacopoeia 2020 deluxe lab coat edition is an expanded version of the classic shirt pocket edition containing more drugs black box warnings evidence

[tarascon pocket pharmacopoeia 2018 hpc international](#) - Jul 03 2023

web retail price 29 95 log in for discount pricing isbn 9781284142679

[downloadable free pdfs tarascon pocket pharmacopoeia 2018](#) - Feb 15 2022

web formats the tarascon pharmacopoeia is also available in classic shirt pocket and deluxe lab coat versions tarascon pocket pharmacopoeia 2018 deluxe lab coat

[tarascon pocket pharmacopoeia 2018 deluxe lab coat edition](#) - Sep 05 2023

web tarascon pocket pharmacopoeia 2018 deluxe lab coat edition hamilton md faaem facmt facep editor in chief richard j amazon sg books

[tarascon pocket pharmacopoeia 2018 deluxe lab coat](#) - May 01 2023

web dec 11 2017 used by physicians pharmacists nurses physician assistants dentists and medical transcriptionist the tarascon pocket pharmacopoeia 2018 deluxe lab

[tarascon pocket pharmacopoeia 2018 deluxe lab coa book](#) - Aug 04 2023

web lab coa tarascon pocket pharmacopoeia 2016 deluxe lab coat edition dec 28 2022 used by prescribers around the world the tarascon pharmacopoeia 2016 deluxe

[tarascon pocket pharmacopoeia 2020 deluxe lab coat edition](#) - Oct 26 2022

web apr 30 2020 used by physicians pharmacists nurses physician assistants dentists and medical transcriptionist the tarascon pocket pharmacopoeia 2020 deluxe lab

[ressources de la clé allemande pour le cycle terminal](#) - Jun 20 2023

web apr 26 2019 la clé allemande vous propose sur cette page une sélection de ressources en lien avec le programme du cycle terminal vous trouverez les huit thématiques suivies du texte de cadrage d Éduscol en italique les problématiques proposées en gras sont des pistes de réflexion établies à partir des ressources disponibles sur la clé

cours et programme d allemand terminale l schoolmouv - May 19 2023

web réviser gratuitement les cours d allemand pour la classe de terminale l en vidéo fiches de cours quiz et exercices

tout sur le programme d allemand du bac 2022 aukunft - Nov 13 2022

web mar 14 2022 le programme d allemand au cours des classe de première et de terminale suit six axes choisis par les professeurs parmi les huit présentés dans cet article identité et échanges il s agit dans cette partie du programme de se questionner sur l influence de la mondialisation sur la vie sociale culturelle et économique

réviser le programme d allemand niveau terminale skilleos - Feb 16 2023

web tu souhaites réviser votre programme d allemand de terminale révise toutes les notions vues cette année grâce à ce cours d allemand niveau terminale

cours et programme d allemand terminale schoolmouv - Aug 22 2023

web réviser gratuitement les cours d allemand pour la classe de terminale en vidéo fiches de cours quiz et exercices

cours d allemand en ligne commencer à apprendre l allemand - Apr 06 2022

web apprenez à parler allemand avec les professeurs d allemand les mieux notés que vous souhaitiez apprendre l allemand à l oral devenir complètement bilingue en allemand ou vous préparer à un voyage dans un pays germanophone udemy a le cours qu il faut pour vous aider à développer vos compétences linguistiques

terminale tous les contenus d allemand lumni - Mar 17 2023

web allemand 4min l année de terminale est particulièrement intense le socle de culture commune humaniste et scientifique s enrichit avec une nouvelle matière la philosophie les élèves de la filière générale ne suivent plus désormais que 2 enseignements de spécialité et peuvent ajouter 1 ou 2 enseignements optionnels

cours d allemand classes terminales by j chassard g weil - Jan 03 2022

web l allemand au bac terminales toutes sections lv1 lv2 lv3 tout anglais toutes series lv1 et lv2 sujets et corriges pdf allemagne au max lve d allemand en terminale es

toutes les ressources du site d allemand portail pédagogique - Oct 12 2022

web ressources pour l enseignement de la littérature en cours d allemand terminale

débutant apprendre l allemand avec la dw - Mar 05 2022

web cours d allemand pour débutants pour les débutants sans connaissances préalables et pour les élèves des niveaux a1 et a2 du cadre européen de référence avec nos cours d allemand

langues littératures et cultures étrangères allemand - Jan 15 2023

web d exposition à la langue et à sa patrie tant dans l établissement qu en dehors de celui ci il permet de renforcer les compétences des élèves en réception et en production notamment grâce à l accès à des ressources numériques d archives ou

nouveaux programmes des classes de seconde de première et - Dec 14 2022

web feb 21 2019 programme de langues vivantes de seconde générale et technologique enseignements commun et optionnel programme de langues vivantes de première et terminale générale et technologique enseignements commun et optionnel modalités d'évaluation des épreuves communes de langues vivantes classe de première

cours d allemand terminale pdf pdf prof - Jun 08 2022

web il est particulièrement destiné aux élèves du cours moyen et secondaire général des classes de quatrième à la terminale programme allemand les notes du cours d allemand 2000 2001 die kursnoten les notes de cours der kurs la route maritime le cours coursallemand progression d allemand du niveau terminale

cours et programme d allemand collège et lycée mymaxicours - Apr 18 2023

web retrouve nos fiches de cours pour réviser en allemand l allemand première langue de l union européenne découvrir nos offres mymaxicours

les 10 meilleurs cours d allemand en ligne 2023 preply - Aug 10 2022

web aug 17 2021 comparatif des 10 meilleurs cours d allemand en ligne en 2023 les cours d allemand en ligne offrent un grand nombre de méthodes d'apprentissage trouvez le meilleur pour vous grâce à ce top 10 des cours d allemand en ligne *allemand terminale cours et programmes mymaxicours lycée* - Jul 21 2023

web améliore tes notes d allemand en terminale avec mymaxicours lycée fiches de cours exercices et vidéos d allemand en terminale programmes officiels de l Éducation nationale

cours d allemand classes terminales abebooks - May 07 2022

web titre cours d allemand classes terminales Éditeur armand colin date d'édition 1967 reliure couverture rigide etat bon cours d allemand en ligne apprendre l allemand en ligne - Feb 04 2022

web sélection de cours d allemand en ligne la deutschakademie berlin offre des cours d allemand en ligne de niveaux a1 a2 b1 b2 c1 et c2

apprendre l allemand cours d allemand en ligne cned - Jul 09 2022

web la formation est conçue pour débutant a1 à expert c1 un test de niveau dès l'entrée en formation permet de vous situer et de sélectionner les contenus adaptés à vos besoins les cours d allemand se déroulent sur une plateforme performante sécurisée et accessible 7j 7 24h 24 dès validation de votre inscription

programme de langues littératures et cultures étrangères - Sep 11 2022

web et régionales allemand de terminale générale sommaire préambule commun aux enseignements de spécialité de langues littératures et cultures étrangères et régionales d'expression artistique et intellectuelle comme des articles de presse des œuvres cinématographiques picturales ou musicales des extraits de littérature

