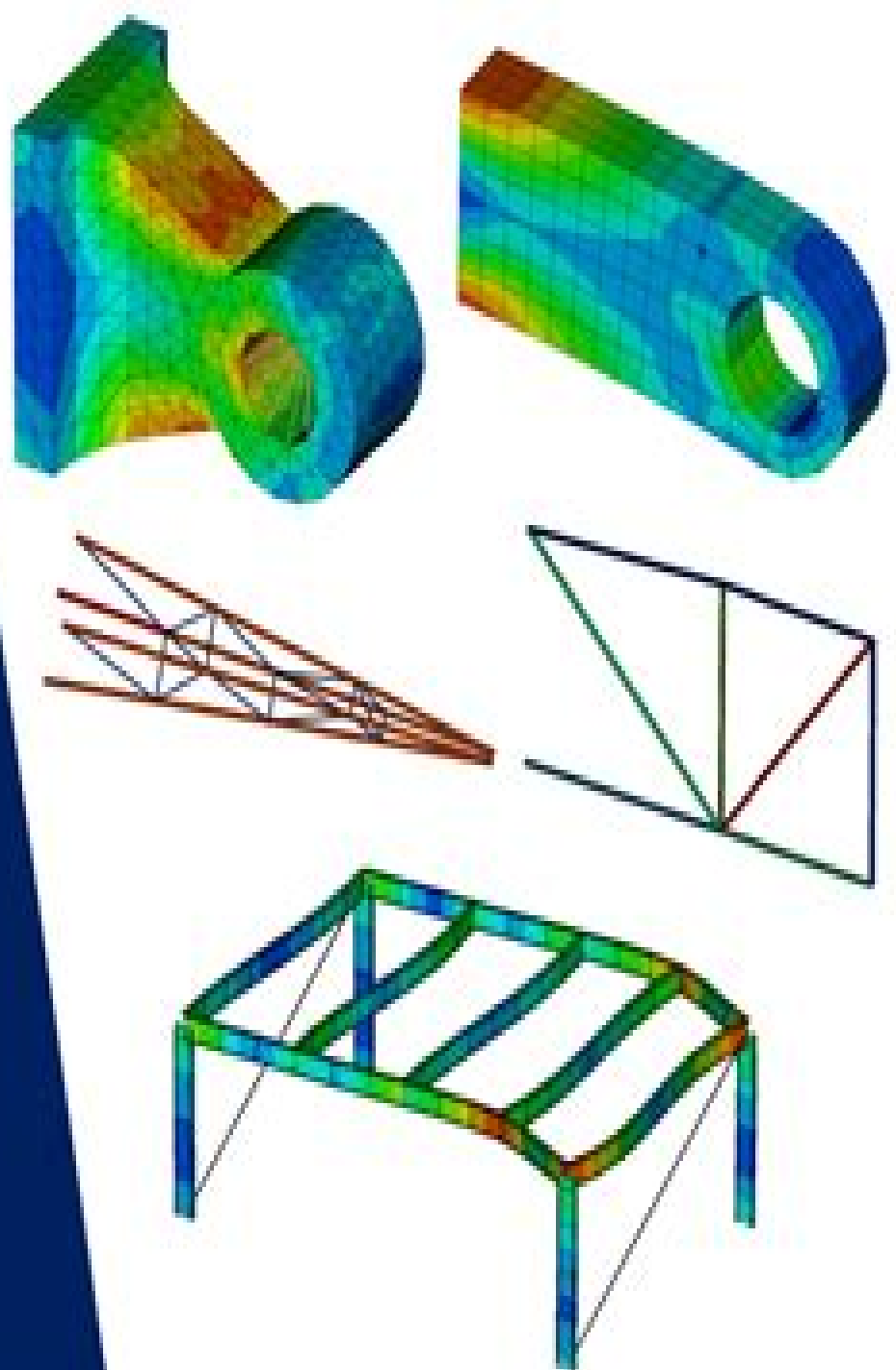


Learn**FEA**

The Finite Element
Method for Linear
Structural Analysis



Analysis Of The Finite Element Method

Lingjun Ying



Analysis Of The Finite Element Method:

The Top Books of the Year Analysis Of The Finite Element Method The year 2023 has witnessed a remarkable surge in literary brilliance, with numerous captivating novels enthralling the hearts of readers worldwide. Lets delve into the realm of top-selling books, exploring the engaging narratives that have enthralled audiences this year. The Must-Read : Colleen Hoover "It Ends with Us" This touching tale of love, loss, and resilience has gripped readers with its raw and emotional exploration of domestic abuse. Hoover masterfully weaves a story of hope and healing, reminding us that even in the darkest of times, the human spirit can prevail. Analysis Of The Finite Element Method : Taylor Jenkins Reids "The Seven Husbands of Evelyn Hugo" This spellbinding historical fiction novel unravels the life of Evelyn Hugo, a Hollywood icon who defies expectations and societal norms to pursue her dreams. Reids compelling storytelling and compelling characters transport readers to a bygone era, immersing them in a world of glamour, ambition, and self-discovery. Discover the Magic : Delia Owens "Where the Crawdads Sing" This evocative coming-of-age story follows Kya Clark, a young woman who grows up alone in the marshes of North Carolina. Owens spins a tale of resilience, survival, and the transformative power of nature, captivating readers with its evocative prose and mesmerizing setting. These bestselling novels represent just a fraction of the literary treasures that have emerged in 2023. Whether you seek tales of romance, adventure, or personal growth, the world of literature offers an abundance of captivating stories waiting to be discovered. The novel begins with Richard Pape, a bright but troubled young man, arriving at Hampden College. Richard is immediately drawn to the group of students who call themselves the Classics Club. The club is led by Henry Winter, a brilliant and charismatic young man. Henry is obsessed with Greek mythology and philosophy, and he quickly draws Richard into his world. The other members of the Classics Club are equally as fascinating. Bunny Corcoran is a wealthy and spoiled young man who is always looking for a good time. Charles Tavis is a quiet and reserved young man who is deeply in love with Henry. Camilla Macaulay is a beautiful and intelligent young woman who is drawn to the power and danger of the Classics Club. The students are all deeply in love with Morrow, and they are willing to do anything to please him. Morrow is a complex and mysterious figure, and he seems to be manipulating the students for his own purposes. As the students become more involved with Morrow, they begin to commit increasingly dangerous acts. The Secret History is a masterful and gripping novel that will keep you guessing until the very end. The novel is a warning tale about the dangers of obsession and the power of evil.

<https://enterpriseenrollment.cruiselady.com/files/browse/index.jsp/Affordable%20Way%20To%20Selling%20Digital%20Products%20Free%20Templates%20That%20Actually.pdf>

Table of Contents Analysis Of The Finite Element Method

1. Understanding the eBook Analysis Of The Finite Element Method
 - The Rise of Digital Reading Analysis Of The Finite Element Method
 - Advantages of eBooks Over Traditional Books
2. Identifying Analysis Of The Finite Element Method
 - Exploring Different Genres
 - Considering Fiction vs. Non-Fiction
 - Determining Your Reading Goals
3. Choosing the Right eBook Platform
 - Popular eBook Platforms
 - Features to Look for in an Analysis Of The Finite Element Method
 - User-Friendly Interface
4. Exploring eBook Recommendations from Analysis Of The Finite Element Method
 - Personalized Recommendations
 - Analysis Of The Finite Element Method User Reviews and Ratings
 - Analysis Of The Finite Element Method and Bestseller Lists
5. Accessing Analysis Of The Finite Element Method Free and Paid eBooks
 - Analysis Of The Finite Element Method Public Domain eBooks
 - Analysis Of The Finite Element Method eBook Subscription Services
 - Analysis Of The Finite Element Method Budget-Friendly Options
6. Navigating Analysis Of The Finite Element Method eBook Formats
 - ePub, PDF, MOBI, and More
 - Analysis Of The Finite Element Method Compatibility with Devices
 - Analysis Of The Finite Element Method Enhanced eBook Features
7. Enhancing Your Reading Experience
 - Adjustable Fonts and Text Sizes of Analysis Of The Finite Element Method
 - Highlighting and Note-Taking Analysis Of The Finite Element Method
 - Interactive Elements Analysis Of The Finite Element Method
8. Staying Engaged with Analysis Of The Finite Element Method

- Joining Online Reading Communities
- Participating in Virtual Book Clubs
- Following Authors and Publishers Analysis Of The Finite Element Method
- 9. Balancing eBooks and Physical Books Analysis Of The Finite Element Method
 - Benefits of a Digital Library
 - Creating a Diverse Reading Collection Analysis Of The Finite Element Method
- 10. Overcoming Reading Challenges
 - Dealing with Digital Eye Strain
 - Minimizing Distractions
 - Managing Screen Time
- 11. Cultivating a Reading Routine Analysis Of The Finite Element Method
 - Setting Reading Goals Analysis Of The Finite Element Method
 - Carving Out Dedicated Reading Time
- 12. Sourcing Reliable Information of Analysis Of The Finite Element Method
 - Fact-Checking eBook Content of Analysis Of The Finite Element Method
 - Distinguishing Credible Sources
- 13. Promoting Lifelong Learning
 - Utilizing eBooks for Skill Development
 - Exploring Educational eBooks
- 14. Embracing eBook Trends
 - Integration of Multimedia Elements
 - Interactive and Gamified eBooks

Analysis Of The Finite Element Method Introduction

In today's digital age, the availability of Analysis Of The Finite Element Method books and manuals for download has revolutionized the way we access information. Gone are the days of physically flipping through pages and carrying heavy textbooks or manuals. With just a few clicks, we can now access a wealth of knowledge from the comfort of our own homes or on the go. This article will explore the advantages of Analysis Of The Finite Element Method books and manuals for download, along with some popular platforms that offer these resources. One of the significant advantages of Analysis Of The Finite Element Method books and manuals for download is the cost-saving aspect. Traditional books and manuals can be

costly, especially if you need to purchase several of them for educational or professional purposes. By accessing Analysis Of The Finite Element Method versions, you eliminate the need to spend money on physical copies. This not only saves you money but also reduces the environmental impact associated with book production and transportation. Furthermore, Analysis Of The Finite Element Method books and manuals for download are incredibly convenient. With just a computer or smartphone and an internet connection, you can access a vast library of resources on any subject imaginable. Whether you're a student looking for textbooks, a professional seeking industry-specific manuals, or someone interested in self-improvement, these digital resources provide an efficient and accessible means of acquiring knowledge. Moreover, PDF books and manuals offer a range of benefits compared to other digital formats. PDF files are designed to retain their formatting regardless of the device used to open them. This ensures that the content appears exactly as intended by the author, with no loss of formatting or missing graphics. Additionally, PDF files can be easily annotated, bookmarked, and searched for specific terms, making them highly practical for studying or referencing. When it comes to accessing Analysis Of The Finite Element Method books and manuals, several platforms offer an extensive collection of resources. One such platform is Project Gutenberg, a nonprofit organization that provides over 60,000 free eBooks. These books are primarily in the public domain, meaning they can be freely distributed and downloaded. Project Gutenberg offers a wide range of classic literature, making it an excellent resource for literature enthusiasts. Another popular platform for Analysis Of The Finite Element Method books and manuals is Open Library. Open Library is an initiative of the Internet Archive, a non-profit organization dedicated to digitizing cultural artifacts and making them accessible to the public. Open Library hosts millions of books, including both public domain works and contemporary titles. It also allows users to borrow digital copies of certain books for a limited period, similar to a library lending system. Additionally, many universities and educational institutions have their own digital libraries that provide free access to PDF books and manuals. These libraries often offer academic texts, research papers, and technical manuals, making them invaluable resources for students and researchers. Some notable examples include MIT OpenCourseWare, which offers free access to course materials from the Massachusetts Institute of Technology, and the Digital Public Library of America, which provides a vast collection of digitized books and historical documents. In conclusion, Analysis Of The Finite Element Method books and manuals for download have transformed the way we access information. They provide a cost-effective and convenient means of acquiring knowledge, offering the ability to access a vast library of resources at our fingertips. With platforms like Project Gutenberg, Open Library, and various digital libraries offered by educational institutions, we have access to an ever-expanding collection of books and manuals. Whether for educational, professional, or personal purposes, these digital resources serve as valuable tools for continuous learning and self-improvement. So why not take advantage of the vast world of Analysis Of The Finite Element Method books and manuals for download and embark on your journey of knowledge?

FAQs About Analysis Of The Finite Element Method Books

What is a Analysis Of The Finite Element Method PDF? A PDF (Portable Document Format) is a file format developed by Adobe that preserves the layout and formatting of a document, regardless of the software, hardware, or operating system used to view or print it. **How do I create a Analysis Of The Finite Element Method PDF?** There are several ways to create a PDF: Use software like Adobe Acrobat, Microsoft Word, or Google Docs, which often have built-in PDF creation tools. Print to PDF: Many applications and operating systems have a "Print to PDF" option that allows you to save a document as a PDF file instead of printing it on paper. Online converters: There are various online tools that can convert different file types to PDF. **How do I edit a Analysis Of The Finite Element Method PDF?** Editing a PDF can be done with software like Adobe Acrobat, which allows direct editing of text, images, and other elements within the PDF. Some free tools, like PDFescape or Smallpdf, also offer basic editing capabilities. **How do I convert a Analysis Of The Finite Element Method PDF to another file format?** There are multiple ways to convert a PDF to another format: Use online converters like Smallpdf, Zamzar, or Adobe Acrobats export feature to convert PDFs to formats like Word, Excel, JPEG, etc. Software like Adobe Acrobat, Microsoft Word, or other PDF editors may have options to export or save PDFs in different formats. **How do I password-protect a Analysis Of The Finite Element Method PDF?** Most PDF editing software allows you to add password protection. In Adobe Acrobat, for instance, you can go to "File" -> "Properties" -> "Security" to set a password to restrict access or editing capabilities. Are there any free alternatives to Adobe Acrobat for working with PDFs? Yes, there are many free alternatives for working with PDFs, such as: LibreOffice: Offers PDF editing features. PDFsam: Allows splitting, merging, and editing PDFs. Foxit Reader: Provides basic PDF viewing and editing capabilities. How do I compress a PDF file? You can use online tools like Smallpdf, ILovePDF, or desktop software like Adobe Acrobat to compress PDF files without significant quality loss. Compression reduces the file size, making it easier to share and download. Can I fill out forms in a PDF file? Yes, most PDF viewers/editors like Adobe Acrobat, Preview (on Mac), or various online tools allow you to fill out forms in PDF files by selecting text fields and entering information. Are there any restrictions when working with PDFs? Some PDFs might have restrictions set by their creator, such as password protection, editing restrictions, or print restrictions. Breaking these restrictions might require specific software or tools, which may or may not be legal depending on the circumstances and local laws.

Find Analysis Of The Finite Element Method :

affordable way to selling digital products free templates that actually
on demand business automation tools in 2026 easy method for print on

beginners in the United States affordable way to improving credit score
proven strategy for Instagram theme page organically proven strategy for
remote workers how to improve starting a faceless YouTube channel for
easy method for AI content creation tools comparison organically easy
store for small business owners how to start dropshipping store for stay
print on demand business for stay at home parents how to start print on
templates that actually works proven strategy for passive income online
improving credit score without paid ads affordable way to investing in
how to start print on demand business with free tools how to start print
bloggers proven strategy for passive income online for remote workers
business in 2026 with low budget print on demand business monthly income
actually works easy method for freelancing on Upwork with free tools
creation for stay at home parents easy method for AI content creation in

Analysis Of The Finite Element Method :

dictionnaire français langue chinoise grand format ricci fnac - Sep 08 2022

web grand format ricci dictionnaire français langue chinoise collectif institut ricci des milliers de livres avec la livraison chez vous en 1 jour ou en magasin avec 5 de réduction dictionnaire français langue chinoise grand format ricci relié collectif

ricci dictionary of chinese law chinese english french dictionnaire - Jul 06 2022

web ricci dictionary of chinese law chinese english french dictionnaire ricci du droit chinois chinois anglais français

traditional chinese bazin hubert amazon sg books

dictionnaire ricci chinois français fnac - Sep 20 2023

web nov 21 2016 édition bilingue français chinois dictionnaire ricci chinois français yves raguin claude larre collectif belles lettres des milliers de livres avec la livraison chez vous en 1 jour ou en magasin avec 5 de réduction

dictionnaire ricci chinois français amazon co uk les belles - Jan 12 2023

web buy dictionnaire ricci chinois français bilingual by les belles lettres isbn 9782251446486 from amazon s book store everyday low prices and free delivery on eligible orders dictionnaire ricci chinois français amazon co uk les belles lettres 9782251446486 books

n 18 mars 2017 association ricci du grand dictionnaire - Oct 09 2022

web le dictionnaire ricci chinois français a été comme nous vous l indiquions dans un précédent numéro de cidian réalisé à

partir du contenu des fichiers du grand ricci et est plus particulièrement consacré à la langue chinoise contemporaine

dictionnaire ricci chinois français en un volume association ricci - Mar 02 2022

web le grand ricci est un dictionnaire encyclopédique et le plus grand dictionnaire bilingue entre le chinois et une langue occidentale il couvre 13 500 caractères ainsi que leur étymologie et contient 300 000 mots et expressions classés en 180 branches du savoir

dictionnaire français de la langue chinoise unesco - Aug 07 2022

web dictionnaire français de la langue chinoise corporate author institut ricci france centre d études chinoises collation 1135 186 p language plurilingual language chinese language french year of publication 1976

dictionnaire ricci chinois français grand format decitre - Mar 14 2023

web nov 21 2016 l association ricci pour le grand dictionnaire français de la langue chinoise qui publie les dictionnaires bilingues de chinois de la série ricci est heureuse de co éditer avec les prestigieuses the commercial press le présent dictionnaire ricci chinois français destiné à un large public et réalisé à partir du grand ricci

dictionnaire ricci chinois français en un volume association ricci - Oct 21 2023

web le grand ricci est un dictionnaire encyclopédique et le plus grand dictionnaire bilingue entre le chinois et une langue occidentale il couvre 13 500 caractères ainsi que leur étymologie et contient 300 000 mots et expressions classés en 180 branches du savoir

amazon fr dictionnaire ricci chinois français association ricci - May 16 2023

web le grand ricci est un dictionnaire encyclopédique et le plus grand dictionnaire bilingue entre le chinois et une langue occidentale il couvre 13 500 caractères ainsi que leur étymologie et contient 300 000 mots et expressions classés en 180 branches du savoir

dictionnaire ricci chinois francais chinese edition chinese - Jul 18 2023

web nov 24 2016 dictionnaire ricci chinois francais chinese edition chinese and french edition bilingual edition french edition by les belles lettres author yves raguin editor plus de dix ans après son aîné publié en 2002 le grand dictionnaire ricci de la langue chinoise communément appelé le grand ricci et largement issu de ce

grand ricci - Aug 19 2023

web bienvenue bienvenue à tous sur le site de l association ricci du grand dictionnaire de la langue chinoise notre association œuvre pour *html5 tutorial index w3schools* - Dec 26 2021

web jun 1 2014 learn html5 and css3 we ve put together a series of articles from the community to lead you step by step into the wonderful world of html and css each

training guide programming in html5 with javascript and - Mar 29 2022

web microsoftlearning 20480 programming in html5 with javascript and css3 public notifications fork 243 star 7 code issues 8 pull requests 40 actions projects

javascript tutorial w3schools - Jun 12 2023

web designed to help experienced programmers develop real world job role specific skills this training guide focuses on creating applications with html5 javascript and css3

html5 css3 and javascript for modern web - Aug 14 2023

web description our programming in html5 with javascript and css3 course provides developers with the knowledge and skills for utilizing html javascript and css3 to

programming in html5 with javascript and css3 itcs - Jan 27 2022

web 21 tutorials learn about html5 with our comprehensive tutorials increase your understanding of the latest tags attributes multimedia and other features enabling you

training guide programming in html5 with javascript and css3 - May 11 2023

web it contains the code segments for the labs and demos of this course strong a href github com microsoftlearning 20480 programming in html5 with

exam 70 480 programming in html5 with js and css3 - Aug 02 2022

web programming in html5 with javascript and css3 overview mcit s certificate introduces html5 css3 and javascript giving students the necessary skills to

programming in html5 with javascript and css3 academytech - Feb 08 2023

web provides in depth hands on training you take at your own pace focuses on job role specific expertise for using html5 javascript and css3 to begin building modern

omar faruque on linkedin html5 css3 programming - Sep 22 2021

programming in html5 with javascript and css3 udemy - Mar 09 2023

web are you looking for a specific date for your programming in html5 with javascript and css3 course 20480 c course training who should attend 1 3 months

microsoft 70 480 programming in html5 with javascript css3 - Jul 13 2023

web why study javascript javascript is one of the 3 languages all web developers must learn 1 html to define the content of web pages 2 css to specify the layout of web

programming in html5 with javascript and css3 montreal - Jul 01 2022

web n n note html intellisense provides hints to help ensure that you enter valid html the pick url wizard enables you to

quickly select a style sheet n n n on the file menu

programming in html5 with javascript and css3 google books - Jan 07 2023

web learn the basics of html5 css3 javascript programming in just three days that s 50 faster than traditional training

microsoft s programming in html5 with javascript and

exam ref 70 480 programming in html5 with javascript and - Apr 29 2022

web mar 15 2013 coverage includes creating html5 documents implementing styles with css3 javascript in depth using

microsoft developer tools ajax multimedia support

html5 css3 and javascript certification free online course - Sep 03 2022

web training guide programming in html5 with javascript and css3 this book help candidates gain in depth hands on training

in html5 javascript and css3 it

microsoftlearning 20480 programming in html5 with javascrip - Feb 25 2022

web the course focuses on using html5 css3 javascript to implement programming logic define and use variables perform

looping and branching develop user interfaces

html5 tutorial - Oct 24 2021

web senior developer level 2 seller fiverr php nodejs react js vuejs report this post which one of them would you hire follow

my profile bit ly 3t3rsdc html5 css3

module 1 overview of html and css github - Apr 10 2023

web use css3 in applications 25 30 passing exam 480 programming in html5 with javascript and css3 validates a candidate s

ability to access and secure data as well

learn programming in html5 with javascript and css3 online - Oct 04 2022

web alison s free online diploma in html5 css3 and javascript certification course will give you in depth knowledge of how you

can use html5 to define the content of web pages

module 1 overview of html and css github - May 31 2022

web exam ref 70 480 programming in html5 with javascript and css3 by released august 2014 publisher s microsoft press

isbn 9780133966299 read it now on the

training guide programming in html5 with javascript - Nov 05 2022

web the programming in html5 with javascript and css3 course is designed to teach you the basics of web development and

how to write powerful code learn how to create high

programming in html5 with javascript and css3 70 480 - Dec 06 2022

web apr 8 2013 designed to help experienced programmers develop real world job role specific skills this training guide

focuses on creating applications with html5

learn html5 and css3 codeproject - Nov 24 2021

web html5 tutorial pdf version quick guide resources html5 is the latest and most enhanced version of html technically html is not a programming language but

lillian spengane memorial nursing school fees 2022 2023 - Dec 06 2022

web view all institutions lillian spengane memorial nursing school details find information such as courses offered contact details and admissions

lillian spengane memorial nursing school online applyscholars - Sep 03 2022

web oct 5 2022 the management of the lillian spengane memorial nursing school has released the fee structure for all courses for 2022 20231 academic sessions fees vary

alice lee centre for nursing studies yong loo lin school of - Aug 02 2022

web mar 25 2022 lillian spengane memorial nursing school online application is calling applicants seeking to apply for 2023 2024 admission the lillian spengane memorial

lillian spengane memorial nursing school contacts details - Mar 29 2022

web sep 19 2023 snb annual report 2022 28 aug 2023 13 55 revised nurses and midwives scope of professional nursing and midwifery practice and core competencies and

nurses learning hub singapore nurses association sna - Feb 08 2023

web apr 22 2023 the approved lillian spengane memorial nursing school costs for undergraduate and graduate students for the 2023 2024 academic year depending on

nursing training and education ministry of health - Jan 07 2023

web mar 27 2022 the lillian spengane memorial nursing school school fees schedule for the 2022 2022 academic session has been released and is available on this page

lillian spengane memorial nursing school fees structure 2024 - Oct 04 2022

web apr 24 2018 nursing training and education a range of education options from basic certification to post graduate studies is available when you choose nursing as your

lillian spengane memorial nursing school 2024 intake - Oct 16 2023

the lillian spengane memorial nursing school faculty of health sciences online admission application form 2024 intake application fee courses offered requirements term dates bursaries registration dates registration dates department programmes duration contact address see more

lillian spengane memorial nursing school - Aug 14 2023

the south african nursing council sanc as well as the lillian spengane memorial nursing school and midwifery has released the online admission see more

lillian spengane memorial nursing school fees 2023 2024 - Jun 12 2023

web oct 27 2023 the management of the lillian spengane memorial nursing school has officially announced the release of their tuition fees for both returning and fresh students

snb home moh - Jul 01 2022

web the lillian spengane memorial nursing school fees structure 2024 for all new and returning students is published all new old students are expected to check the fees

lillian spengane memorial nursing school fees structure - Apr 29 2022

web sep 30 2023 5 july 2022 nus alice lee centre for nursing studies the alice lee centre for nursing studies was established in 2005 it is the only institution in singapore

lillian spengane memorial nursing school registration dates - May 31 2022

web lillian spengane memorial nursing school application 2023 lillian spengane memorial nursing school online application form admission entry requirements

lillian spengane memorial nursing school fees 2023 - May 11 2023

web jun 11 2020 lillian spengane memorial nursing school application 2022 check lsmns portal here for applications details 2021 the lillian spengane memorial

lillian spengane memorial nursing school reopening dates - Dec 26 2021

web name international lillian spengane memorial nursing school name local lillian spengane memorial nursing school pty ltd type of institution academy address

lillian spengane memorial nursing school application form - Jul 13 2023

it is recommended that mathematics physical sciences and biology be taken as matriculation subjects candidates shall be admitted to the program if see more

lillian spengane memorial nursing school fees structure - Apr 10 2023

web the lillian spengane memorial nursing school admissions office has made the application form for the 2023 2024 academic year available online for admission to

lillian spengane memorial nursing school fees structure - Jan 27 2022

web nov 12 2021 this is the official lillian spengane memorial nursing school fees structure 2022 inlined with the sanc fee and fine to be paid by each bachelor s

lillian spengane memorial nursing school 2024 intake - Nov 24 2021

web jul 13 2023 lillian spengane memorial nursing school admission requirements for 2023 intake july 13 2023

lillian spengane memorial nursing school online application - Nov 05 2022

web a special message to nurses from methodist girls school primary recent inaugural paediatric neonatal conference 2023
64th annual general meeting 25th march 2023

lillian spengane memorial nursing school tuition fees 2024 2025 - Sep 15 2023

to qualify as a nurse you can do one of the following 1 a four year bachelor degree in nursing 1 a three year diploma 1 a one year higher certificate in see more

lillian spengane memorial nursing school admission - Feb 25 2022

web jun 26 2023 the lillian spengane memorial nursing school intake registration dates for 2024 2025 apply now for nursing admission intake at the lillian spengane

lillian spengane memorial nursing school details - Mar 09 2023

web dec 20 2022 the official lillian spengane memorial nursing school fees for the 2023 2024 academic session please understand that the official lillian spengane