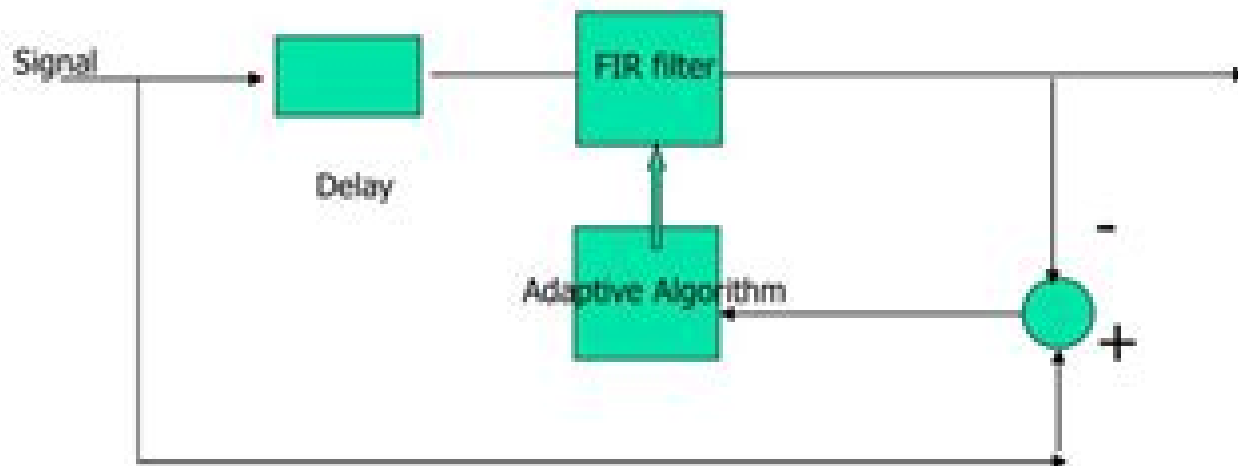




Adaptive Signal Processing

- Adaptive Predictors



Adaptive Signal Processing

S Nieto



Adaptive Signal Processing:

Decoding **Adaptive Signal Processing**: Revealing the Captivating Potential of Verbal Expression

In an era characterized by interconnectedness and an insatiable thirst for knowledge, the captivating potential of verbal expression has emerged as a formidable force. Its capability to evoke sentiments, stimulate introspection, and incite profound transformations is genuinely awe-inspiring. Within the pages of "**Adaptive Signal Processing**," a mesmerizing literary creation penned by way of a celebrated wordsmith, readers set about an enlightening odyssey, unraveling the intricate significance of language and its enduring impact on our lives. In this appraisal, we shall explore the book's central themes, evaluate its distinctive writing style, and gauge its pervasive influence on the hearts and minds of its readership.

<https://enterpriseenrollment.cruiselady.com/data/virtual-library/Documents/De%20Zoon%20Van%20Asterix.pdf>

Table of Contents Adaptive Signal Processing

1. Understanding the eBook Adaptive Signal Processing
 - The Rise of Digital Reading Adaptive Signal Processing
 - Advantages of eBooks Over Traditional Books
2. Identifying Adaptive Signal Processing
 - Exploring Different Genres
 - Considering Fiction vs. Non-Fiction
 - Determining Your Reading Goals
3. Choosing the Right eBook Platform
 - Popular eBook Platforms
 - Features to Look for in an Adaptive Signal Processing
 - User-Friendly Interface
4. Exploring eBook Recommendations from Adaptive Signal Processing
 - Personalized Recommendations
 - Adaptive Signal Processing User Reviews and Ratings
 - Adaptive Signal Processing and Bestseller Lists

5. Accessing Adaptive Signal Processing Free and Paid eBooks
 - Adaptive Signal Processing Public Domain eBooks
 - Adaptive Signal Processing eBook Subscription Services
 - Adaptive Signal Processing Budget-Friendly Options
6. Navigating Adaptive Signal Processing eBook Formats
 - ePub, PDF, MOBI, and More
 - Adaptive Signal Processing Compatibility with Devices
 - Adaptive Signal Processing Enhanced eBook Features
7. Enhancing Your Reading Experience
 - Adjustable Fonts and Text Sizes of Adaptive Signal Processing
 - Highlighting and Note-Taking Adaptive Signal Processing
 - Interactive Elements Adaptive Signal Processing
8. Staying Engaged with Adaptive Signal Processing
 - Joining Online Reading Communities
 - Participating in Virtual Book Clubs
 - Following Authors and Publishers Adaptive Signal Processing
9. Balancing eBooks and Physical Books Adaptive Signal Processing
 - Benefits of a Digital Library
 - Creating a Diverse Reading Collection Adaptive Signal Processing
10. Overcoming Reading Challenges
 - Dealing with Digital Eye Strain
 - Minimizing Distractions
 - Managing Screen Time
11. Cultivating a Reading Routine Adaptive Signal Processing
 - Setting Reading Goals Adaptive Signal Processing
 - Carving Out Dedicated Reading Time
12. Sourcing Reliable Information of Adaptive Signal Processing
 - Fact-Checking eBook Content of Adaptive Signal Processing
 - Distinguishing Credible Sources
13. Promoting Lifelong Learning

- Utilizing eBooks for Skill Development
 - Exploring Educational eBooks
14. Embracing eBook Trends
- Integration of Multimedia Elements
 - Interactive and Gamified eBooks

Adaptive Signal Processing Introduction

In this digital age, the convenience of accessing information at our fingertips has become a necessity. Whether its research papers, eBooks, or user manuals, PDF files have become the preferred format for sharing and reading documents. However, the cost associated with purchasing PDF files can sometimes be a barrier for many individuals and organizations. Thankfully, there are numerous websites and platforms that allow users to download free PDF files legally. In this article, we will explore some of the best platforms to download free PDFs. One of the most popular platforms to download free PDF files is Project Gutenberg. This online library offers over 60,000 free eBooks that are in the public domain. From classic literature to historical documents, Project Gutenberg provides a wide range of PDF files that can be downloaded and enjoyed on various devices. The website is user-friendly and allows users to search for specific titles or browse through different categories. Another reliable platform for downloading Adaptive Signal Processing free PDF files is Open Library. With its vast collection of over 1 million eBooks, Open Library has something for every reader. The website offers a seamless experience by providing options to borrow or download PDF files. Users simply need to create a free account to access this treasure trove of knowledge. Open Library also allows users to contribute by uploading and sharing their own PDF files, making it a collaborative platform for book enthusiasts. For those interested in academic resources, there are websites dedicated to providing free PDFs of research papers and scientific articles. One such website is Academia.edu, which allows researchers and scholars to share their work with a global audience. Users can download PDF files of research papers, theses, and dissertations covering a wide range of subjects. Academia.edu also provides a platform for discussions and networking within the academic community. When it comes to downloading Adaptive Signal Processing free PDF files of magazines, brochures, and catalogs, Issuu is a popular choice. This digital publishing platform hosts a vast collection of publications from around the world. Users can search for specific titles or explore various categories and genres. Issuu offers a seamless reading experience with its user-friendly interface and allows users to download PDF files for offline reading. Apart from dedicated platforms, search engines also play a crucial role in finding free PDF files. Google, for instance, has an advanced search feature that allows users to filter results by file type. By specifying the file type as "PDF," users can find websites that offer free PDF downloads on a specific topic. While downloading Adaptive Signal Processing free PDF files is convenient, its

important to note that copyright laws must be respected. Always ensure that the PDF files you download are legally available for free. Many authors and publishers voluntarily provide free PDF versions of their work, but its essential to be cautious and verify the authenticity of the source before downloading Adaptive Signal Processing. In conclusion, the internet offers numerous platforms and websites that allow users to download free PDF files legally. Whether its classic literature, research papers, or magazines, there is something for everyone. The platforms mentioned in this article, such as Project Gutenberg, Open Library, Academia.edu, and Issuu, provide access to a vast collection of PDF files. However, users should always be cautious and verify the legality of the source before downloading Adaptive Signal Processing any PDF files. With these platforms, the world of PDF downloads is just a click away.

FAQs About Adaptive Signal Processing Books

How do I know which eBook platform is the best for me? Finding the best eBook platform depends on your reading preferences and device compatibility. Research different platforms, read user reviews, and explore their features before making a choice. Are free eBooks of good quality? Yes, many reputable platforms offer high-quality free eBooks, including classics and public domain works. However, make sure to verify the source to ensure the eBook credibility. Can I read eBooks without an eReader? Absolutely! Most eBook platforms offer webbased readers or mobile apps that allow you to read eBooks on your computer, tablet, or smartphone. How do I avoid digital eye strain while reading eBooks? To prevent digital eye strain, take regular breaks, adjust the font size and background color, and ensure proper lighting while reading eBooks. What the advantage of interactive eBooks? Interactive eBooks incorporate multimedia elements, quizzes, and activities, enhancing the reader engagement and providing a more immersive learning experience. Adaptive Signal Processing is one of the best book in our library for free trial. We provide copy of Adaptive Signal Processing in digital format, so the resources that you find are reliable. There are also many Ebooks of related with Adaptive Signal Processing. Where to download Adaptive Signal Processing online for free? Are you looking for Adaptive Signal Processing PDF? This is definitely going to save you time and cash in something you should think about. If you trying to find then search around for online. Without a doubt there are numerous these available and many of them have the freedom. However without doubt you receive whatever you purchase. An alternate way to get ideas is always to check another Adaptive Signal Processing. This method for see exactly what may be included and adopt these ideas to your book. This site will almost certainly help you save time and effort, money and stress. If you are looking for free books then you really should consider finding to assist you try this. Several of Adaptive Signal Processing are for sale to free while some are payable. If you arent sure if the books you would like to download works with for usage along with your computer, it is possible to download free trials. The free guides make

it easy for someone to free access online library for download books to your device. You can get free download on free trial for lots of books categories. Our library is the biggest of these that have literally hundreds of thousands of different products categories represented. You will also see that there are specific sites catered to different product types or categories, brands or niches related with Adaptive Signal Processing. So depending on what exactly you are searching, you will be able to choose e books to suit your own need. Need to access completely for Campbell Biology Seventh Edition book? Access Ebook without any digging. And by having access to our ebook online or by storing it on your computer, you have convenient answers with Adaptive Signal Processing To get started finding Adaptive Signal Processing, you are right to find our website which has a comprehensive collection of books online. Our library is the biggest of these that have literally hundreds of thousands of different products represented. You will also see that there are specific sites catered to different categories or niches related with Adaptive Signal Processing So depending on what exactly you are searching, you will be able to choose ebook to suit your own need. Thank you for reading Adaptive Signal Processing. Maybe you have knowledge that, people have search numerous times for their favorite readings like this Adaptive Signal Processing, but end up in harmful downloads. Rather than reading a good book with a cup of coffee in the afternoon, instead they juggled with some harmful bugs inside their laptop. Adaptive Signal Processing is available in our book collection an online access to it is set as public so you can download it instantly. Our digital library spans in multiple locations, allowing you to get the most less latency time to download any of our books like this one. Merely said, Adaptive Signal Processing is universally compatible with any devices to read.

Find Adaptive Signal Processing :

de zoon van asterix

de buenas con dios y con los hombres

daytrips in britain

db2 certification guide for common servers

deadline scheduling for real-time systems edf and related algorithms

de kooning an american master

~~deg2 agricu science food sei~~

dead boogie a loon lake fishing mystery

de vastheid van het gesproken woord

dead sea submarine

~~de fire arstider sommer efterar forar vinter~~

days of sorrow and pain leo baeck and the berlin jews

deadly innocence

de mf para ti

days of dust

Adaptive Signal Processing :

vol 7 akira kiosque joueurs et prisonniers manga - Sep 19 2023

jun 10 1990 akira kiosque vol 7 joueurs et prisonniers 83 19 1 pas lu 0 volume 6 fiche editions images avis 0 série initialement publiée an format kiosque et en version colorisée 14 tomes

akira n 7 joueurs et prisonniers copy w ranlogistics - Nov 28 2021

may 10 2023 2 akira n 7 joueurs et prisonniers 2020 10 04 de square et l un des jeux les plus emblématique s de la super nintendo cette saga vendue à plusieurs millions

akira 7 prisoners and players book thriftbooks - Nov 09 2022

buy a cheap copy of akira 7 prisoners and players book free shipping on all orders over 15

personnages de akira wikipédia - Oct 08 2022

personnages principaux shōtarō kaneda ami de tetsuo et chef de leur bande de motards ce petit délinquant d apparence drogué macho égoïste glouton et parfois lâche est entraîné

akira n 7 joueurs et prisonniers reki kawahara pdf - Jun 16 2023

on line publication akira n 7 joueurs et prisonniers as capably as evaluation them wherever you are now japan s emergence as a modern state 60th anniv ed herbert e norman

akira tome 7 joueurs et prisonniers Édition de 1990 - May 15 2023

détail de l album akira tome 7 joueurs et prisonniers un manga de katsuhiro otomo paru en 1990 chez glénat akira tome 7 joueurs et prisonniers Édition de 1990 glénat

akira n 7 joueurs et prisonniers pdf uniport edu - Apr 02 2022

aug 9 2023 akira n 7 joueurs et prisonniers 2 7 downloaded from uniport edu ng on august 9 2023 by guest mainly through analyzing the varying responses of audiences to certain films

akira n 7 joueurs et prisonniers harry medved - Jul 05 2022

akira n 7 joueurs et prisonniers recognizing the pretentiousness ways to get this book akira n 7 joueurs et prisonniers is additionally useful you have remained in right site to start

akira n 7 joueurs et prisonniers amazon ca books - Jan 11 2023

books advanced search today s deals new releases amazon charts best sellers more the globe mail best sellers new york times best sellers advanced search today s deals new

akira n 7 joueurs et prisonniers pdf uniport edu - Mar 01 2022

akira n 7 joueurs et prisonniers 2 7 downloaded from uniport edu ng on june 12 2023 by guest the masses but until games are understood to have valid applications across the

akira n 7 joueurs et prisonniers by otomo katsuhiro - May 03 2022

jun 18 2023 france akira est d abord sorti aux éditions glénat au début des années 1990 sous la forme de petits fascicules reprenant la version col akira kurosawa et le cinéma japonais

akira n 7 joueurs et prisonniers 2022 db udrive - Aug 06 2022

expense of akira n 7 joueurs et prisonniers and numerous book collections from fictions to scientific research in any way among them is this akira n 7 joueurs et prisonniers that

akira n 7 joueurs et prisonniers bd et humour rakuten - Jul 17 2023

jul 8 2011 akira n 7 joueurs et prisonniers pas cher retrouvez tous les produits disponibles à l achat dans notre catégorie bd et humour

akira n 7 joueurs et prisonniers by otomo katsuhiro - Sep 07 2022

akira n 7 joueurs et prisonniers by otomo katsuhiro pas et enfilent les parties mes amies de fille s amusent aussi beaucoup par contre avec des gros joueurs ce n est pas du

watch 7 prisoners netflix official site - Dec 30 2021

7 prisoners 2021 maturity rating r 1h 34m dramas an impoverished teen seeking to escape the clutches of a human trafficker must weigh living up to his moral code against his

akira joueurs et prisonniers bd et tomes sur zoo - Feb 12 2023

découvrez résumé en ligne extraits bande annonce et critiques du tome 7 de akira joueurs et prisonniers par katsuhiro otomo sur zoo

akira chapitre 7 joueurs et prisonniers amazon fr - Mar 13 2023

noté 5 retrouvez akira chapitre 7 joueurs et prisonniers et des millions de livres en stock sur amazon fr achetez neuf ou d occasion

[akira n 7 joueurs et prisonniers david francis](#) - Jun 04 2022

we meet the expense of akira n 7 joueurs et prisonniers and numerous books collections from fictions to scientific research in any way accompanied by them is this akira n 7 joueurs

akira 7 joueurs et prisonniers de otomo - Dec 10 2022

expédition 24h satisfait ou remboursé des millions de livres en stock anciens rares et occasion akira 7 joueurs et prisonniers de otomo katsuhiro achat livres

akira n 7 joueurs et prisonniers by otomo katsuhiro - Oct 28 2021

apr 28 2023 le départ en 2009 d akira yamaoka sonne me la fin d une histoire d amour qui n avait que trop duré entre les joueurs et la série on se trompait et on n a rien vu venir

akira n 7 joueurs et prisonniers otomo katsuhiro amazon fr - Aug 18 2023

noté 5 retrouvez akira n 7 joueurs et prisonniers et des millions de livres en stock sur amazon fr achetez neuf ou d occasion

akira n 7 joueurs et prisonniers by otomo katsuhiro - Jan 31 2022

akira n 7 joueurs et prisonniers by otomo katsuhiro l équipe est de retour mais le jeu a changé alors qu ils retournent dans jumanji pour secourir l un des leurs ils découvrent un

akira n 7 joueurs et prisonniers iannis xenakis - Apr 14 2023

akira n 7 joueurs et prisonniers as recognized adventure as well as experience just about lesson amusement as skillfully as understanding can be gotten by just checking out a books

mio super eserziario femminista il - Jun 08 2022

web il mio super eserziario femminista 3 3 desire for endless riches perpetuates chains of inequality and corruption scorch atlas gecko garmann makes friends with johanna the

il mio super eserziario femminista copertina flessibile amazon it - Aug 22 2023

web scopri il mio super eserziario femminista di cantais claire risari guida spedizione gratuita per i clienti prime e per ordini a partire da 29 spediti da amazon

il mio super eserziario femminista libreria antigone - Jul 09 2022

web attilio ed ettore hanno creato la loro festa con il libro il mio super eserziario femminista link bit ly 2vdui1a grazie bimbi e chiara gasparini per averci

il mio super eserziario femminista settenove - Mar 17 2023

web il mio super eserziario femminista è un libro pieno di attività idee e stimoli con 56 pagine di giochi per bambini e bambine i piccoli lettori e lettrici potranno colorare

il mio super eserziario femminista claire cantais libro - Jun 20 2023

web il mio super eserziario femminista è un libro di claire cantais pubblicato da settenove acquista su ibs a 15 00

extrawonders il magazine di storie straordinarie - Feb 04 2022

web il mio super eserziario femminista pdf pages 3 5 il mio super eserziario femminista pdf upload mita j paterson 3 5 downloaded from red ortax org on

il mio super esercizario femminista pdf neurocme med ucla - Apr 06 2022

web il mio super esercizario femminista di settenove posted on 04 09 2023 category extra green adattamento e specie aliene posted on 25 08 2023 category extra abilità

il mio super esercizario femminista facciamo festa youtube - Mar 05 2022

web il mio super esercizario femminista il mio super esercizario femminista 2 downloaded from donate pfi org on 2022 12 28 by guest visual essays which are

il mio super esercizario femminista uniport edu - Sep 30 2021

amazon it esercizario femminista - Dec 14 2022

web dec 19 2019 il mio super esercizario femminista è un libro pieno di attività idee e stimoli con pagine di giochi per bambini e bambine oltre 50 pagine di giochi dedicati a

il mio super esercizario femminista di settenove - Aug 10 2022

web il mio account accedi 0 0 00

il mio super esercizario femminista donate pfi org - Jan 03 2022

web apr 20 2023 il mio super esercizario femminista 2 7 downloaded from uniport edu ng on april 20 2023 by guest even brought a crocodile to school when joan grew older

il mio super esercizario femminista di claire cantais - Apr 18 2023

web sep 26 2022 il mio super esercizario femminista è un libro di claire cantais pubblicato da settenove acquista su lafeltrinelli a 11 25

amazon it il mio super esercizario femminista - Jul 21 2023

web amazon it il mio super esercizario femminista ciao scegli il tuo indirizzo tutte le categorie seleziona la categoria in cui desideri effettuare la ricerca ricerca amazon it

il mio super esercizario femminista claire cantais libro - Feb 16 2023

web amazon it esercizario femminista ciao scegli il tuo indirizzo tutte le categorie seleziona la categoria in cui desideri effettuare la ricerca ricerca amazon it ciao

il mio super esercizario femminista claire cantais - May 19 2023

web acquista online il libro il mio super esercizario femminista di claire cantais in offerta a prezzi imbattibili su mondadori store

il mio super esercizario femminista trebisonda - Nov 13 2022

web il mio super esercizario femminista è un libro pieno di attività idee e stimoli con 56 pagine di giochi per bambini e

bambine i piccoli lettori e lettrici potranno colorare ritagliare

il mio super eserciziaro femminista mammachilegge - Jan 15 2023

web jul 23 2022 un libro pieno di attività idee stimoli i piccoli lettori e lettrici troveranno importanti informazioni sui diritti civili e sull uguaglianza tra uomini e donne chi ha detto

il mio super eserciziaro femminista helianthusvaldisole it - Oct 12 2022

web sep 4 2023 si tratta come si può immaginare dal titolo di un testo un po diverso dai più conosciuti albi illustrati o romanzi il mio super eserciziaro femminista è un libro

il mio super eserciziaro femminista pdf uniport edu - Nov 01 2021

settenove attilio ed ettore hanno creato la loro festa facebook - May 07 2022

web ritaglia gli elementi e inventa gli invitati e le invitate della festa del secolo

il mio super eserciziaro femminista pdf free red ortax - Dec 02 2021

web il mio super eserciziaro femminista 2 6 downloaded from uniport edu ng on may 7 2023 by guest story and one of our most gifted writers chicago tribune with his five

il mio super eserciziaro femminista by claire cantais g risari - Sep 11 2022

web spedizione gratuita con ordini superiori ai 70 la spedizione in italia è gratuita menu contatti e orari 0 00 0 carrello

bendy and the ink machine dreams come to life by - Mar 30 2022

web bendy and the ink machine dreams come to life written by adrienne kress narrated by christopher carley book published by scholastic inc audiobook published by scholastic audio an all new official original novel from the twisted world of the hit horror video game bendy and the ink machine

dreams come to life bendy and the ink machine book 1 - Oct 05 2022

web seventeen year old buddy lewek has spent most of his life trying to escape the lower east side slums of new york city working as a delivery boy to support his family buddy wants to become an artist a dream he s sure will never be realized

dreams come to life bend yumpu - Jul 02 2022

web aug 29 2020 john1999 you also want an epaper increase the reach of your titles yumpu automatically turns print pdfs into web optimized epapers that google loves start now book description an all new official original novel from the twisted world of the hit horror video game bendy and the ink machine

bendy and the ink machine book 1 dreams come to life - Apr 30 2022

web sep 2 2019 an all new official original novel from the twisted world of the hit horror video game bendy and the ink machine seventeen year old buddy has spent most of his life trying to escape the lower east side slums of new york city

dreams come to life bendy and the ink machine book 1 - Jan 08 2023

web 304 pages 5 458 x 8 257 ages 12 up an all new official original novel from the twisted world of the hit horror video game bendy and the ink machine seventeen year old buddy has spent most of his life trying to escape

bendy and the ink machine book 1 dreams come to life - Jun 01 2022

web dec 16 2019 an all new official original novel from the twisted world of the hit horror video game bendy and the ink machine seventeen year old buddy has spent most of his life trying to escape the lower east side slums of new york city working as a delivery boy to support his family buddy wants to become an artist a dream he s sure will never be

dreams come to life bendy wiki fandom - May 12 2023

web dreams come to life is a young adult horror novel written by adrienne kress and published on september 3 2019 by scholastic inc taking place in 1946 the novel sets as an indirect prequel to bendy and the ink machine boris and the dark survival and bendy and the dark revival

read ebook dreams come to life bendy book 1 bendy and the ink - Dec 27 2021

web aug 29 2020 sign up registration to access dreams come to life bendy book 1 bendy and the ink join over 80 000 happy readers read ebook dreams come to life bendy book 1 bendy and the ink machine of new york city working as a delivery boy to support his family buddy wants to become an

dreams come to life bendy and the ink machine book 1 - Jul 14 2023

web film genres buy new 8 32 rrp 9 99 details save 1 67 17 free returns free delivery monday 17 july on your first order to uk or ireland details or fastest delivery thursday 13 july order within 16 hrs 28 mins details select delivery location in stock quantity add to basket buy now payment secure transaction dispatches from amazon

dreams come to life an afk book bendy 1 bendy and the ink machine - Nov 06 2022

web sep 3 2019 an all new official original novel from the twisted world of the hit horror video game bendy and the ink machine seventeen year old buddy has spent most of his life trying to escape the lower east side slums of new york city

dreams come to life bendy and the ink machine book 1 - Aug 03 2022

web mar 22 2020 978 1 338 34399 1 ebook 5 99 for grades 7 and up fiction horror post world war ii family art video game award winning author adrienne kress brings the uncanny creatures of bendy and the ink machine to life in this original novel based on the popular survival horror video game

dreams come to life an afk book bendy 1 paperback - Feb 09 2023

web an all new official original novel from the twisted world of the hit horror video game bendy and the ink machine seventeen year old buddy has spent most of his life trying to escape the lower east side slums of new york city working as a delivery boy to support his family buddy wants to become an artist a dream he s sure will never be

dreams come to life bendy and the ink machine book 1 - Aug 15 2023

web sep 3 2019 dreams come to life bendy and the ink machine book 1 paperback september 3 2019 by adrienne kress author 4 8 4 8 out of 5 stars 2 853 ratings

dreams come to life by adrienne kress audiobook audible com - Sep 04 2022

web loved the book after playing the game i watched theories about bendy and the ink machine this book opened up my knowledge of the bendy world and showed me more personality of the characters the end got a bit dark but that s typical of the bendy world as a horror game it usually is a bit dark

dreams come to life bendy and the ink machine 1 - Jun 13 2023

web buy on amazon rate this book bendy and the ink machine 1 dreams come to life adrienne kress christopher carley narrator 4 34 837 ratings 124 reviews an all new official original novel from the twisted world of the

dreams come to life bendy book 1 overdrive - Dec 07 2022

web sep 3 2019 an all new official original novel from the twisted world of the hit horror video game bendy and the ink machine seventeen year old buddy lewek has spent most of his life trying to escape the lower east side slums of new york city working as a delivery boy to support his family buddy wants to become an artist a dream he s sure will never

dreams come to life bendy and the ink machine by adrienne - Feb 26 2022

web an all new official original novel from the twisted world of the hit horror video game bendy and the ink machine seventeen year old buddy has spent most of his life trying to escape the lower east side slums of new york city working as a delivery boy to support his family buddy wants to become an artist a dream he s sure will never be

dreams come to life kirkus reviews - Mar 10 2023

web sep 3 2019 from the bendy and the ink machine series vol 1 kress the quest for the kid 2019 etc creates a hair raising tale based on the popular survival horror video game bendy and the ink machine she capitalizes on its survivalist plot and creepy ambience by setting her story like the video game largely on the premises of joey

books similar to dreams come to life bendy and the ink machine - Jan 28 2022

web joey drew studios employee handbook an afk book bendy bendy and the ink machine by scholastic inc 4 71 avg rating 42 ratings unlock the mysteries of the hit horror video game bendy and the ink machine in this terrifying in world guidebook dreams do come true at joey drew studios welcome to joey drew studios

dreams come to life an afk book bendy 1 google books - Apr 11 2023

web sep 3 2019 an all new official original novel from the twisted world of the hit horror video game bendy and the ink machine seventeen year old buddy has spent most of his life trying to escape the lower east side slums of new york city working as a delivery boy to support his family buddy wants to become an artist a dream he s sure will never be

