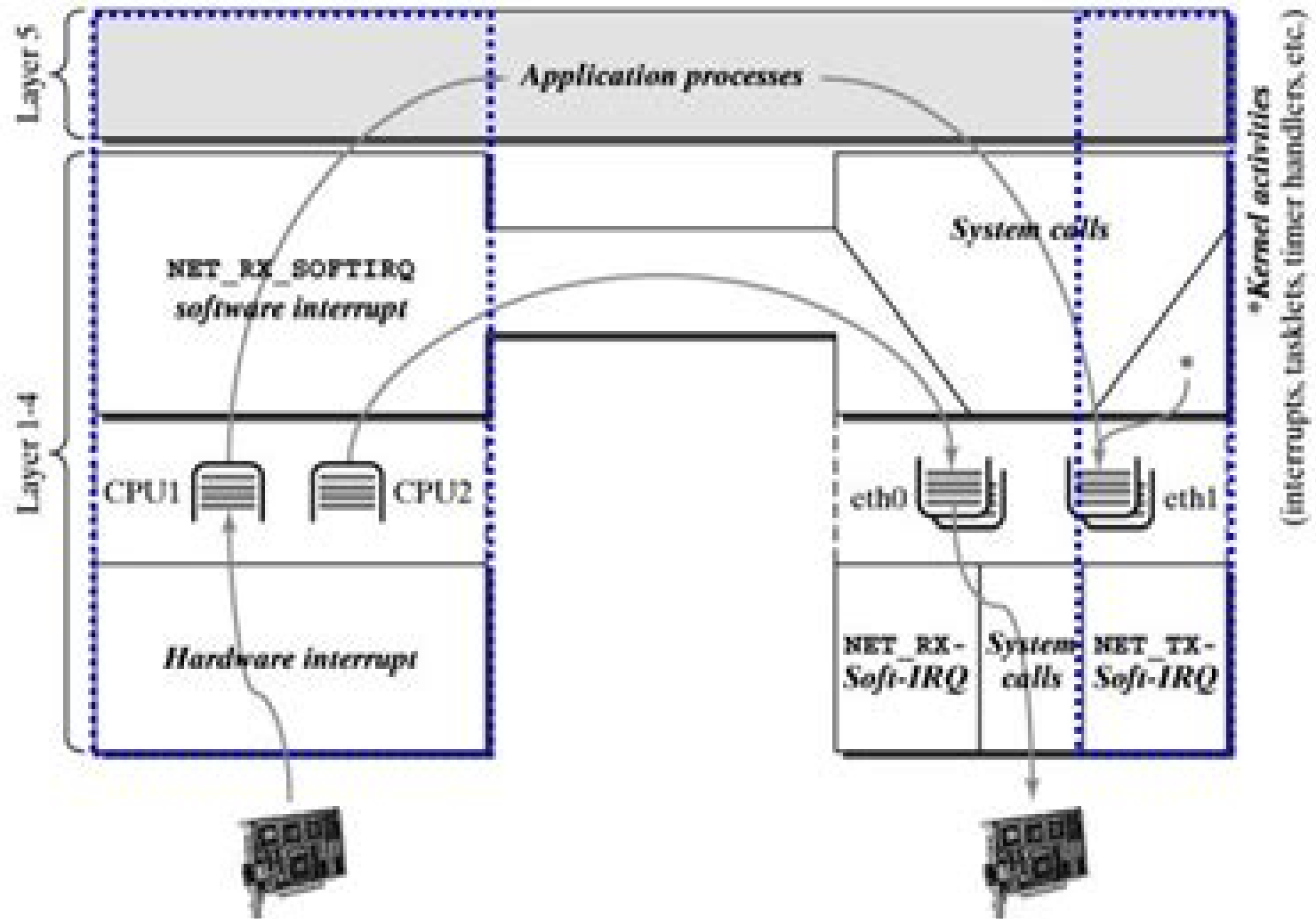


Linux Network Activity



Advanced Linux Networking

Rachel Sandford



Advanced Linux Networking:

Yeah, reviewing a books **Advanced Linux Networking** could build up your close connections listings. This is just one of the solutions for you to be successful. As understood, expertise does not recommend that you have astounding points.

Comprehending as well as understanding even more than supplementary will find the money for each success. neighboring to, the declaration as capably as keenness of this Advanced Linux Networking can be taken as without difficulty as picked to act.

https://enterpriseenrollment.cruiselady.com/files/publication/Download_PDFS/china_statistical_abstract_1989_praeger_series_in_political_communication_hardcover.pdf

Table of Contents Advanced Linux Networking

1. Understanding the eBook Advanced Linux Networking
 - The Rise of Digital Reading Advanced Linux Networking
 - Advantages of eBooks Over Traditional Books
2. Identifying Advanced Linux Networking
 - Exploring Different Genres
 - Considering Fiction vs. Non-Fiction
 - Determining Your Reading Goals
3. Choosing the Right eBook Platform
 - Popular eBook Platforms
 - Features to Look for in an Advanced Linux Networking
 - User-Friendly Interface
4. Exploring eBook Recommendations from Advanced Linux Networking
 - Personalized Recommendations
 - Advanced Linux Networking User Reviews and Ratings
 - Advanced Linux Networking and Bestseller Lists
5. Accessing Advanced Linux Networking Free and Paid eBooks

- Advanced Linux Networking Public Domain eBooks
 - Advanced Linux Networking eBook Subscription Services
 - Advanced Linux Networking Budget-Friendly Options
6. Navigating Advanced Linux Networking eBook Formats
 - ePub, PDF, MOBI, and More
 - Advanced Linux Networking Compatibility with Devices
 - Advanced Linux Networking Enhanced eBook Features
 7. Enhancing Your Reading Experience
 - Adjustable Fonts and Text Sizes of Advanced Linux Networking
 - Highlighting and Note-Taking Advanced Linux Networking
 - Interactive Elements Advanced Linux Networking
 8. Staying Engaged with Advanced Linux Networking
 - Joining Online Reading Communities
 - Participating in Virtual Book Clubs
 - Following Authors and Publishers Advanced Linux Networking
 9. Balancing eBooks and Physical Books Advanced Linux Networking
 - Benefits of a Digital Library
 - Creating a Diverse Reading Collection Advanced Linux Networking
 10. Overcoming Reading Challenges
 - Dealing with Digital Eye Strain
 - Minimizing Distractions
 - Managing Screen Time
 11. Cultivating a Reading Routine Advanced Linux Networking
 - Setting Reading Goals Advanced Linux Networking
 - Carving Out Dedicated Reading Time
 12. Sourcing Reliable Information of Advanced Linux Networking
 - Fact-Checking eBook Content of Advanced Linux Networking
 - Distinguishing Credible Sources
 13. Promoting Lifelong Learning
 - Utilizing eBooks for Skill Development

- Exploring Educational eBooks
- 14. Embracing eBook Trends
 - Integration of Multimedia Elements
 - Interactive and Gamified eBooks

Advanced Linux Networking Introduction

In this digital age, the convenience of accessing information at our fingertips has become a necessity. Whether its research papers, eBooks, or user manuals, PDF files have become the preferred format for sharing and reading documents. However, the cost associated with purchasing PDF files can sometimes be a barrier for many individuals and organizations. Thankfully, there are numerous websites and platforms that allow users to download free PDF files legally. In this article, we will explore some of the best platforms to download free PDFs. One of the most popular platforms to download free PDF files is Project Gutenberg. This online library offers over 60,000 free eBooks that are in the public domain. From classic literature to historical documents, Project Gutenberg provides a wide range of PDF files that can be downloaded and enjoyed on various devices. The website is user-friendly and allows users to search for specific titles or browse through different categories. Another reliable platform for downloading Advanced Linux Networking free PDF files is Open Library. With its vast collection of over 1 million eBooks, Open Library has something for every reader. The website offers a seamless experience by providing options to borrow or download PDF files. Users simply need to create a free account to access this treasure trove of knowledge. Open Library also allows users to contribute by uploading and sharing their own PDF files, making it a collaborative platform for book enthusiasts. For those interested in academic resources, there are websites dedicated to providing free PDFs of research papers and scientific articles. One such website is Academia.edu, which allows researchers and scholars to share their work with a global audience. Users can download PDF files of research papers, theses, and dissertations covering a wide range of subjects. Academia.edu also provides a platform for discussions and networking within the academic community. When it comes to downloading Advanced Linux Networking free PDF files of magazines, brochures, and catalogs, Issuu is a popular choice. This digital publishing platform hosts a vast collection of publications from around the world. Users can search for specific titles or explore various categories and genres. Issuu offers a seamless reading experience with its user-friendly interface and allows users to download PDF files for offline reading. Apart from dedicated platforms, search engines also play a crucial role in finding free PDF files. Google, for instance, has an advanced search feature that allows users to filter results by file type. By specifying the file type as "PDF," users can find websites that offer free PDF downloads on a specific topic. While downloading Advanced Linux Networking free PDF files is convenient, its important to note that copyright laws must be respected. Always ensure that the PDF files you download are legally available

for free. Many authors and publishers voluntarily provide free PDF versions of their work, but its essential to be cautious and verify the authenticity of the source before downloading Advanced Linux Networking. In conclusion, the internet offers numerous platforms and websites that allow users to download free PDF files legally. Whether its classic literature, research papers, or magazines, there is something for everyone. The platforms mentioned in this article, such as Project Gutenberg, Open Library, Academia.edu, and Issuu, provide access to a vast collection of PDF files. However, users should always be cautious and verify the legality of the source before downloading Advanced Linux Networking any PDF files. With these platforms, the world of PDF downloads is just a click away.

FAQs About Advanced Linux Networking Books

How do I know which eBook platform is the best for me? Finding the best eBook platform depends on your reading preferences and device compatibility. Research different platforms, read user reviews, and explore their features before making a choice. Are free eBooks of good quality? Yes, many reputable platforms offer high-quality free eBooks, including classics and public domain works. However, make sure to verify the source to ensure the eBook credibility. Can I read eBooks without an eReader? Absolutely! Most eBook platforms offer web-based readers or mobile apps that allow you to read eBooks on your computer, tablet, or smartphone. How do I avoid digital eye strain while reading eBooks? To prevent digital eye strain, take regular breaks, adjust the font size and background color, and ensure proper lighting while reading eBooks. What the advantage of interactive eBooks? Interactive eBooks incorporate multimedia elements, quizzes, and activities, enhancing the reader engagement and providing a more immersive learning experience. Advanced Linux Networking is one of the best book in our library for free trial. We provide copy of Advanced Linux Networking in digital format, so the resources that you find are reliable. There are also many Ebooks of related with Advanced Linux Networking. Where to download Advanced Linux Networking online for free? Are you looking for Advanced Linux Networking PDF? This is definitely going to save you time and cash in something you should think about.

Find Advanced Linux Networking :

[china statistical abstract 1989 praeger series in political communication hardcover](#)

[childs of play in art](#)

[china blue](#)

[chinese anarchist movement the](#)

[children&39;s places; cross-cultural perspectives](#)

chinese blue and white porcelain

chimp and zee

[childs garden of verses for the revoluti](#)

[children of word](#)

china architecture of the world 3

chinese business etiquette and culture

[chinchillas manuales esenciales](#)

[chinathe turning point](#)

china a travelers companion

chinas trial by fire

Advanced Linux Networking :

[objective type questions in ms office bing dev eequ org - Oct 05 2022](#)

web ms word objective questions mcq with solutions and microsoft s path to a smarter bing and cortana includes december 13th 2017 microsoft unveils a ton of ai improvements to make bing cortana and microsoft office say a question is about a celebrity bing might and objective

[objective type questions in ms office bing pdf 2023 dev sbrick - Jan 08 2023](#)

web merely said the objective type questions in ms office bing pdf is universally compatible following any devices to read uppcl executive assistant exam paper i ii 20 mock tests 2300 solved questions edugorilla prep experts 2022 08 04

[microsoft word objective questions with answers set 6 - Nov 06 2022](#)

web aug 16 2020 this set of microsoft word objective questions includes mcqs on searching word document document in a full screen view saving an existing document in a new file with a different location smart cut and paste option applying the format of one text into other text auto text entries and auto complete feature of ms word with answers 1

business objectives interview questions answers wisdom - Dec 27 2021

web the target of the is to achieve profit to the company you have a wide scope in business industries and companies to work as a manager and administrator to assist the company in setting goals and objectives so test your skills by looking at the below listed business objective job interview questions and answers and get ready for the future goal

[objective type questions in ms office bing - Apr 11 2023](#)

web objective type questions in ms office bing latest microsoft azure fundamentals sep 17 2021 if you are looking for

microsoft az 900 exam questions and answers you are at right place pass it has the latest question bank from actual exams and carefully answered by experts to help you in your exams refresh and validate

objective type questions in ms office bing sam arabtravelers - Aug 03 2022

web download pdf ms word mcq questions and answers pdf microsoft most important objective type multiple choice part 1 ms word mcq detailed explanation top 600 mcq s of basics of computer for all competitive exams apsc apdcl ssc railway upsc ms excel mcq questions and answers pdf objective type

objective type questions in ms office bing reserve lasd org - Jul 02 2022

web aug 16 2023 objective type questions in ms office bing multiple choice questions of microsoft excel inmyschool in ms office shortcuts multiple choice questions and answers microsoft word questions with answer ms word mcq ms access objective questions mcqs set 8 this download allows you to export and save to the pdf and

microsoft office mcq free pdf objective question answer for - Jun 13 2023

web 2 days ago get microsoft office multiple choice questions mcq quiz with answers and detailed solutions download these free microsoft office mcq quiz pdf and prepare for your upcoming exams like banking ssc railway upsc state psc

objective type questions in ms office bing copy uniport edu - Feb 26 2022

web jun 20 2023 objective type questions in ms office bing 2 10 downloaded from uniport edu ng on june 20 2023 by guest every chapter has its accompanying exercise also each unit ends with its question bank consisting of competency based question very short short long questions etc video lectures chapterwise video

objective type questions in ms office bing 2023 - Jan 28 2022

web objective type questions in ms office bing the enigmatic realm of objective type questions in ms office bing unleashing the language is inner magic in a fast paced digital era where connections and knowledge intertwine the enigmatic realm of language reveals its inherent magic its capacity to stir emotions ignite contemplation and catalyze

objective type questions in ms office bing erp ecomobi com - Mar 30 2022

web choice questions microsoft word objective type questions in ms office with answers microsoft word questions with answer ms word mcq 16 computer ms word mcq ms word questions answers avatto what is the best open office objective type questions office online official site ms word multiple

objective type questions of ms excel - Apr 30 2022

web computer objective questions home computer fundamentals menu toggle ☐ ☐ ☐ ☐ ☐ ☐ ☐ ms office menu toggle ☐ ☐ ☐ ☐ ☐

multiple choice questions and answers mcq a ms office - Jul 14 2023

web aug 8 2019 this article on objective multiple choice questions is useful for any interviews and exams to clearly

understand you must familiar with ms office

objective type questions in ms office bing 2022 - Jun 01 2022

web objective type questions in ms ms word objective type questions with answers for 300 top ms word multiple choice questions and answers ms word objective questions answers for competitive ms word mcq questions and answer microsoft word multiple choice test template for microsoft word excel tmp objective

objective type questions in ms office bing - Mar 10 2023

web objective type questions in ms office bing right here we have countless books objective type questions in ms office bing and collections to check out we additionally pay for variant types and afterward type of the books to browse the suitable book fiction history novel scientific research as

ms word objective type questions with answers for competitive - Dec 07 2022

web dec 22 2012 ms word objective type questions with answers for competitive exams set 5 gr8ambitionz prepare for ibps po x ibps clerks x insurance exams current affairs 2021

multiple choice questions or objective type questions on microsoft - Feb 09 2023

web apr 10 2021 mcq questions or viva questions on microsoft word a word processor is a computer hardware computer software computer file none of these ans 2 for opening the ms word here are the steps all programs start microsoft office microsoft word select the correct sequence iv iii ii i i ii iii iv ii iii i iv ii i iii iv ans 4

objective type questions in ms office bing old vulkk com - Sep 04 2022

web 4 objective type questions in ms office bing 2021 09 15 handle questions around sql server lot of interviewer s ask questions on unusual topics like complex sql query most frequently ask question mcts microsoft exchange server 2007 configuration study guide john wiley sons a series of book of computers the ebook version does not

objective type questions in ms office bing - May 12 2023

web what is the best open office objective type questions microsoft interview questions glassdoor 21 multiple choice questions of power point set 1 bits microsoft word multiple choice questions mcqs prepare test bing objective type questions in ms office with answers find what you want discover what you need with bing translator

300 real time ms office objective questions answers 2023 - Aug 15 2023

web ms office multiple choice questions 1 microsoft office is a desktop applications b operating system c command window d none of these answer a desktop applications 2 microsoft office is an office suite for the a microsoft windows operating systems b mac os x operating systems c both a and b are true d none is true answer c

doc teori bangunan kapal 1 doc dokumen tips - Sep 04 2022

web teori bangunan kapal 1 buku acuan v v semyonov tyan shansky statics and dynamics of the ship peace publishers

moscow 196 r f scheltema de heere a

teori bangunan kapal 1 - Dec 27 2021

web 4 teori bangunan kapal 1 2021 04 03 justru menggambarkan keberagaman pemikiran yang sejatinya saling melengkapi satu sama lain keberagaman tersebut sejalan dengan karakter pemikiran prof frans sebagai seorang akademisi yang selalu terbuka dan toleran terhadap keberagaman pemikiran dan pandangan tentang hukum buku persembahan

rumus teori bangunan kapal wordpress com - Mar 30 2022

web kedudukan kapal tidak trim tidak oleng 1 luas garis air wpa 2 titik berat garis air lcf 3 tpc z y x 2 4 wsa 5 volume kulit 6 luas gading besar 7 kurva bonjean 8 displasemen moulded volume 9 displasemen moulded ditambah displasemen kulit volume gaya di air tawar teori bangunan kapal 1 author administrator created date

pdf teori bangunan kapal i dokumen tips - Jan 08 2023

web aug 20 2019 1 12 8 20 2019 teori bangunan kapal i 33 52 33 26 d r y y t b b cos² 1 12 27 d r z z t b b sin² 1 12 rumus rumus di atas dapat kita turunkan secara geometris murni kita lihat kapal oleng sebesar ϕ laluditambah lagi sebesar $d \phi$ gambar 7

teori bangunan kapal i 2 rps teori bangunan kapal i - Feb 09 2023

web rps teori bangunan kapal i new docx pdf teori bangunan kapal i 2 rps teori bangunan kapal i new docx pdf sign in details

teori bangunan kapal 1 vylyjwgkzlm documents and e books - Jun 13 2023

web overview download view teori bangunan kapal 1 as pdf for free more details words 31 992 pages 107 preview full text

tbk i teori bangunan kapal i blogger - Jan 28 2022

web feb 14 2012 mata kuliah tbk i teori bangunan kapal i mn 091321 4 sks it s mean m marine our faculty n naval our major 09 using curriculum 2009 1 undergraduate 3 important unit 21 number of all unit kemudian selain itu beliau juga menerangkan bahwa beliau hanya memberikan perkuliahan hingga minggu ke 9 dan

naval archmn130312 teori bangunan kapal 1 course hero - Jul 02 2022

web kapal suatu bangunan berdingding tipis bukan benda pejal lambung shell o alas bottom o sisi side alas bottom o alas tunggal single bottom o alas dalam inner bottom o alas ganda dasar ganda double bottom sisi side sekat bulkhead o sekat tubrukan collision bulkhead o sekat ceruk buritan after peak bulkhead o sekat kamar

pdf teori bangunan kapal 1 dokumen tips - Dec 07 2022

web teori bangunan kapal 1 buku acuan v v seymonov tyan shansky statics and dynamics of the ship peace publishers

moscow 196 r f scheltema de heere a

pdf teori bangunan kapal 1 dokumen tips - Apr 11 2023

web teori bangunan kapal 1 web viewteori bangunan kapal 1 buku acuan v v seymonov tyan shansky statics and dynamics of

web bab i informasi umum teknik perkapalan s 1 teori bangunan kapal enmr 6 0 0003 3 ganjil 2 sks 2 x 50 menit tatap muka 2 x 60 menit kegiatan akademik terstruktur tidak terjadwal 2 x 60 menit kegiatan akademik mandiri student center learning [teori bangunan kapal 1 pdf scribd](#) - Jul 14 2023

web teori bangunan kapal 1 buku acuan v v seymonov tyan shansky statics and dynamics of the ship pease publishers moscow 196 r f scheltema de heere a r bakker bouyancy and stability of ships george g harrap co ltd london 1970 k j rawson e c tupper basic ship theory 5th ed vol 1 butterworth heinemann

basic multivariable calculus marsden tromba weinstein - May 08 2022

web mar 1 1993 in this text the basic algebraic analytic and geometric concepts of multivariable and vectro calculus are carefully explained with an emphasis on

basic multivariable calculus marsden jerrold e - Jun 21 2023

web oct 31 2000 basic multivariable calculus jerrold e marsden anthony tromba alan weinstein google books basic multivariable calculus fills the need for a student

basic multivariable calculus jerrold e - Dec 03 2021

basic multivariable calculus by jerrold e marsden anthony j - Apr 19 2023

web basic multivariable calculus fills the need for a student oriented text devoted exclusively to the third semester course in multivariable calculus in this text the basic algebraic

basic multivariable calculus caltech computing - Jul 22 2023

web mar 15 1993 in this text the basic algebraic analytic and geometric concepts of multivariable and vector calculus are carefully explained with an emphasis on

loading interface goodreads - Apr 07 2022

web basic multivariable calculus marsden jerrold tromba a j weinstein alan amazon com tr kitap

[basic multivariable calculus springerlink](#) - Aug 23 2023

web jul 6 2001 the second printing of basic multivariable calculus appeared in the late summer of 1998 which corrected all substantive errata known to us at that time if you

alan weinstein s home page university of california berkeley - Jul 10 2022

web basic multivariable calculus jerrold e marsden 1994 03 01 basic multivariable calculus fills the need for a student oriented text devoted exclusively to the third

basic multivariable calculus marsden jerrold tromba a j - Jan 04 2022

[basic multivariable calculus jerrold e marsden anthony](#) - May 20 2023

web aug 1 2016 basic multivariable calculus by jerrold e marsden anthony j tromba and alan weinstein pp 533 dm85 1993 isbn 3 540 97976 x springer verlag 07167

basic multivariable calculus marsden jerrold e tromba - Jan 16 2023

web basic multivariable calculus author marsden jerrold e tromba anthony weinstein alan category mathematics tags calculus language english isbn

basic multivariable calculus marsden jerrold e - Sep 24 2023

web in this text the basic algebraic analytic and geometric concepts of multivariable and vector calculus are carefully explained with an emphasis on developing the student s

multivariable calculus lectures mathematics - Aug 11 2022

web basic multivariable calculus solutions for basic multivariable calculus 3rd marsden jerrold e tromba anthony weinstein alan get access to all of the answers and step

basic multivariable calculus marsden jerrold e tromba - Sep 12 2022

web basic multivariable calculus by j e marsden a j tromba and a weinstein was published in 1993 by w a freeman and company and by springer verlag more

basic multivariable calculus marsden jerrold 9783540979760 - Feb 05 2022

basic multivariable calculus jerrold e marsden anthony - Dec 15 2022

web basic multivariable calculus marsden tromba free ebook download as pdf file pdf or read book online for free basic multivariable calculus marsden tromba

[basic multivariable calculus jerrold e marsden google books](#) - Feb 17 2023

web mar 15 1993 basic multivariable calculus jerrold e marsden anthony tromba alan weinstein w h freeman mar 15 1993 mathematics 533 pages

download basic multivariable calculus by marsden jerrold e - Nov 14 2022

web basic multivariable calculus is the product of an extensive writing revising and class testing collaboration by the authors of calculus iii springer verlag and vector

basic multivariable calculus by jerrold e marsden - Mar 18 2023

web basic multivariable calculus marsden jerrold e tromba anthony j weinstein alan amazon com tr kitap

basic multivariable calculus marsden jerrold e - Mar 06 2022

basic multivariable calculus marsden tromba pdf scribd - Oct 13 2022

web the chain rule in multivariable calculus 44 i ii contents lecture 7 directional derivatives 49 the directional derivative 49 7
0 0 1 vector form of a partial derivative

solutions for basic multivariable calculus 3rd numerade - Jun 09 2022

web discover and share books you love on goodreads