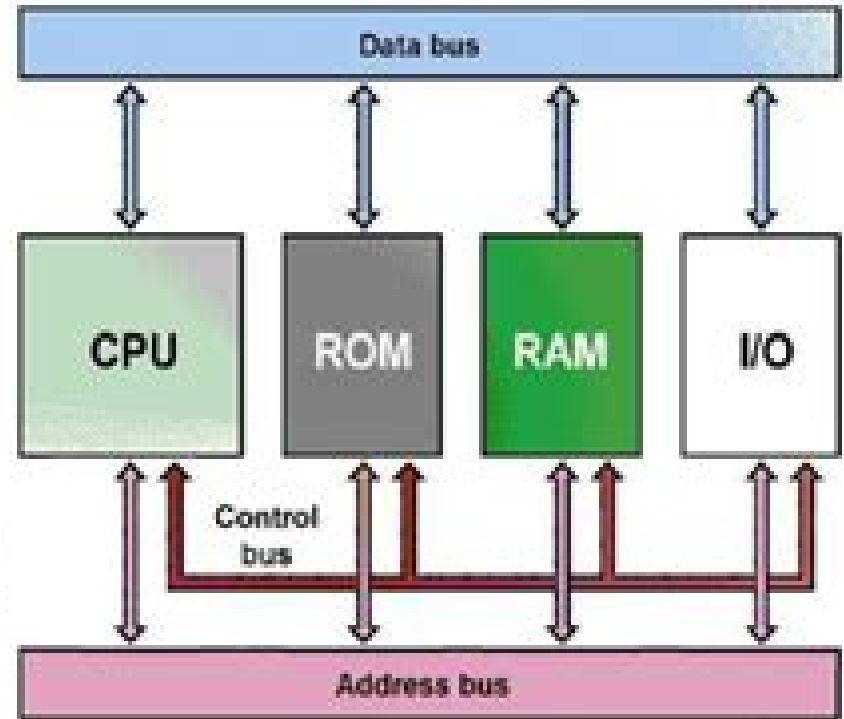


Architecture and components of computer systems.



Computer Architecture

Shuangbao Paul Wang



Computer Architecture:

Advances in Computer Architecture Glenford J. Myers, 1978

Computer Architecture John L. Hennessy, David A. Patterson, 2017-11-23 Computer Architecture A Quantitative Approach Sixth Edition has been considered essential reading by instructors students and practitioners of computer design for over 20 years The sixth edition of this classic textbook from Hennessy and Patterson winners of the 2017 ACM A M Turing Award recognizing contributions of lasting and major technical importance to the computing field is fully revised with the latest developments in processor and system architecture The text now features examples from the RISC V RISC Five instruction set architecture a modern RISC instruction set developed and designed to be a free and openly adoptable standard It also includes a new chapter on domain specific architectures and an updated chapter on warehouse scale computing that features the first public information on Google s newest WSC True to its original mission of demystifying computer architecture this edition continues the longstanding tradition of focusing on areas where the most exciting computing innovation is happening while always keeping an emphasis on good engineering design Winner of a 2019 Textbook Excellence Award Texty from the Textbook and Academic Authors Association Includes a new chapter on domain specific architectures explaining how they are the only path forward for improved performance and energy efficiency given the end of Moore s Law and Dennard scaling Features the first publication of several DSAs from industry Features extensive updates to the chapter on warehouse scale computing with the first public information on the newest Google WSC Offers updates to other chapters including new material dealing with the use of stacked DRAM data on the performance of new NVIDIA Pascal GPU vs new AVX 512 Intel Skylake CPU and extensive additions to content covering multicore architecture and organization Includes Putting It All Together sections near the end of every chapter providing real world technology examples that demonstrate the principles covered in each chapter Includes review appendices in the printed text and additional reference appendices available online Includes updated and improved case studies and exercises ACM named John L Hennessy and David A Patterson recipients of the 2017 ACM A M Turing Award for pioneering a systematic quantitative approach to the design and evaluation of computer architectures with enduring impact on the microprocessor industry

Computer Architecture John Y. Hsu, 2017-12-19 With the new developments in computer architecture fairly recent publications can quickly become outdated Computer Architecture Software Aspects Coding and Hardware takes a modern approach This comprehensive practical text provides that critical understanding of a central processor by clearly detailing fundamentals and cutting edge design features With its balanced software hardware perspective and its description of Pentium processors the book allows readers to acquire practical PC software experience The text presents a foundation level set of ideas design concepts and applications that fully meet the requirements of computer organization and architecture courses The book features a bottom up computer design approach based upon the author s thirty years experience in both academe and industry By combining computer engineering with

electrical engineering the author describes how logic circuits are designed in a CPU The extensive coverage of a micromprogrammed CPU and new processor design features gives the insight of current computer development Computer Architecture Software Aspects Coding and Hardware presents a comprehensive review of the subject from beginner to advanced levels Topics include o Two s complement numbers o Integer overflow o Exponent overflow and underflow o Looping o Addressing modes o Indexing o Subroutine linking o I O structures o Memory mapped I O o Cycle stealing o Interrupts o Multitasking o Microprogrammed CPU o Multiplication tree o Instruction queue o Multimedia instructions o Instruction cache o Virtual memory o Data cache o Alpha chip o Interprocessor communications o Branch prediction o Speculative loading o Register stack o JAVA virtual machine o Stack machine principles Computer Architecture John L. Hennessy,David A. Patterson,Christos Kozyrakis,2025-12-02 Computer Architecture A Quantitative Approach has been considered essential reading by instructors students and practitioners of computer design for nearly 30 years The seventh edition of this classic textbook from John Hennessy and David Patterson w Winner of a 2019 Textbook Excellence Award Texty from the Textbook and Academic Authors Association Each chapter follows a consistent framework explanation of the ideas in each chapter a crosscutting issues section which presents how the concepts covered in one chapter connect with those given in other chapters a putting it all together section that links these concepts by discussing how they are applied in real machine and detailed examples of misunderstandings and architectural traps commonly encountered by developers and architects Includes Putting It All Together sections near the end of every chapter providing real world technology examples that demonstrate the principles covered in each chapter Covers new developments in GPU and CPU architectures as well as domain specific architectures Features more comprehensive coverage of systems on chip and heterogeneity

Introduction to Computer Architecture and Organization Harold Lorin,1982 An introduction to the nature of computer architecture and organization Presents interesting problems with elegant solutions with emphasis on the abstract elements of the problems common to all computer design Addresses the several schools of thought on what constitutes a good computer architecture focusing on the current RISC versus non RISC approaches Also discusses the downward drift of design sophistication to smaller machines such as pipelines caches and overlapped I O Includes many examples of specific machines and the design philosophy behind them *Computer Architecture for Scientists* Andrew A. Chien,2022-03-10 A principled high level view of computer performance and how to exploit it Ideal for software architects and data scientists

High-performance Computer Architecture Harold S. Stone,1993 This update of the popular book on computer architecture presents design ideas embodied in many high performance machines and stresses techniques for evaluating them Stone develops a proper understanding of the design process by treating the various trade offs that exist in designing choices and shows how good designs make efficient use of technology Features Teaches techniques for the design and analysis of high performance machines Develops students intuition for design by treating various tradeoffs that exist in

design choices Discusses many important topics RISC architectures interconnection meshes Cache coherent and multiprocessors and Cache Memory Includes enhanced descriptions of RISC Processors Expands material on Cache Memory Analysis Current technology in RISC with a focused look on super scalar Additional memory models and techniques for doing Cache design New proposals for coherent memory systems in System C parallel processors Both design and thought problems and problems with limiting parameters are provided 0201526883B04062001 *A Practical Introduction to Computer Architecture* Daniel Page,2009-04-21 It is a great pleasure to write a preface to this book In my view the content is unique in that it blends traditional teaching approaches with the use of mathematics and a mainstream Hardware Design Language HDL as formalisms to describe key concepts The book keeps the machine separate from the application by strictly following a bottom up approach it starts with transistors and logic gates and only introduces assembly language programs once their execution by a processor is clearly defined Using a HDL Verilog in this case rather than static circuit diagrams is a big deviation from traditional books on computer architecture Static circuit diagrams cannot be explored in a hands on way like the corresponding Verilog model can In order to understand why I consider this shift so important one must consider how computer architecture a subject that has been studied for more than 50 years has evolved In the pioneering days computers were constructed by hand An entire computer could just about be described by drawing a circuit diagram Initially such diagrams consisted mostly of analogue components before later moving toward digital logic gates The advent of digital electronics led to more complex cells such as half adders flip flops and decoders being recognised as useful building blocks

Advanced Computer Architecture and Parallel Processing Hesham El-Rewini,Mostafa Abd-El-Barr,2005-03-25 Computer architecture deals with the physical configuration logical structure formats protocols and operational sequences for processing data controlling the configuration and controlling the operations over a computer It also encompasses word lengths instruction codes and the interrelationships among the main parts of a computer or group of computers This two volume set offers a comprehensive coverage of the field of computer organization and architecture *Essentials of Computer Architecture, Second Edition* Douglas Comer,2017-01-06 This easy to read textbook provides an introduction to computer architecture while focusing on the essential aspects of hardware that programmers need to know The topics are explained from a programmer's point of view and the text emphasizes consequences for programmers Divided in five parts the book covers the basics of digital logic gates and data paths as well as the three primary aspects of architecture processors memories and I/O systems The book also covers advanced topics of parallelism pipelining power and energy and performance A hands on lab is also included The second edition contains three new chapters as well as changes and updates throughout *Readings in Computer Architecture* Mark D. Hill,Gurindar S. Sohi,2000 Offering a carefully reviewed selection of over 50 papers illustrating the breadth and depth of computer architecture this text includes insightful introductions to guide readers through the primary sources *Computer Architecture and Organization* Shuangbao Paul

Wang,2021-11-29 In today's workplace computer and cybersecurity professionals must understand both hardware and software to deploy effective security solutions This book introduces readers to the fundamentals of computer architecture and organization for security and provides them with both theoretical and practical solutions to design and implement secure computer systems Offering an in depth and innovative introduction to modern computer systems and patent pending technologies in computer security the text integrates design considerations with hands on lessons learned to help practitioners design computer systems that are immune from attacks Studying computer architecture and organization from a security perspective is a new area There are many books on computer architectures and many others on computer security However books introducing computer architecture and organization with security as the main focus are still rare This book addresses not only how to secure computer components CPU Memory I O and network but also how to secure data and the computer system as a whole It also incorporates experiences from the author's recent award winning teaching and research The book also introduces the latest technologies such as trusted computing RISC V QEMU cache security virtualization cloud computing IoT and quantum computing as well as other advanced computing topics into the classroom in order to close the gap in workforce development The book is chiefly intended for undergraduate and graduate students in computer architecture and computer organization as well as engineers researchers cybersecurity professionals and middleware designers

Essential Guide to Computer Architecture for Beginners and Novices Sandra Bronson,2021-03-25 Although the term computer architecture sounds very difficult it's not easier than managing the computer hardware Computer architecture is a set of rules that govern how computer hardware is put together and how to make a computer work It not only determines how the computer works but also of what hardware the computer is made of Computers continue to be a major part of our lives and many architects need to understand the latest technologies Computer architecture concentrates on the logical aspects of computer design from the physical level to the logical design from the earliest electronic computers to the latest progress in integrated circuitry the innovations that have driven computer hardware have been driven by two different goals high performance and low cost Performance improvements have led to computer systems with increasingly higher memory speeds and throughput Cost driven improvements have led to the use of integrated circuits for automatic control problems Improvements in electronic technology have led directly to the development of new computer architectures usually relying on the architectural principles

Essentials of Computer Architecture Douglas Comer,2024-05-20 This easy to read textbook provides an introduction to computer architecture focusing on the essential aspects of hardware that programmers need to know Written from a programmer's point of view Essentials of Computer Architecture Third Edition covers the three key aspects of architecture processors physical and virtual memories and input output I O systems This third edition is updated in view of advances in the field Most students only have experience with high level programming languages and almost no experience tinkering with electronics and hardware As such this text is revised to follow a top down approach moving from discussions on how a compiler transforms a

source program into binary code and data to explanations of how a computer represents data and code in binary Additional chapters cover parallelism and data pipelining assessing the performance of computer systems and the important topic of power and energy consumption Exclusive to this third edition a new chapter explains multicore processors and how coherence hardware provides a consistent view of the values in memory even though each core has its own cache Suitable for a one semester undergraduate course this clear concise and easy to read textbook offers an ideal introduction to computer architecture for students studying computer programming

Computer Architecture and Organization Miles J. Murdocca, Vincent P. Heuring, 2007-03-16 An accessible introduction to computer systems and architecture Anyone aspiring to more advanced studies in computer related fields must gain an understanding of the two parallel aspects of the modern digital computer programming methodology and the underlying machine architecture The uniquely integrated approach of Computer Architecture and Organization connects the programmer's view of a computer system with the associated hardware and peripheral devices providing a thorough three dimensional view of what goes on inside the machine Covering all the major topics normally found in a first course in computer architecture the text focuses on the essentials including the instruction set architecture ISA network related issues and programming methodology Using real world case studies to put the information into perspective the chapters examine Data representation Arithmetic The instruction set architecture Datapath and Control Languages and the machine Memory Buses and peripherals Networking and communication Advanced computer architecture A valuable feature of this book is the use of ARC a subset of the SPARC processor for an instruction set architecture A platform independent ARCTools suite containing an assembler and simulator for the ARC ISA that supports the examples used in the book is available Better yet the content is supplemented by online problem sets available through WileyPlus Balanced and thoughtfully designed for use as either a classroom text or self study guide Computer Architecture and Organization An Integrated Approach will put you solidly on track for advancing to higher levels in computer related disciplines

About the Author MILES MURDOCCA serves as the President and CEO of Internet Institute USA IIUSA a private postsecondary information technology IT school specializing in networking operating systems IP telephony programming and security Previously Dr Murdocca has been a computer science faculty member at Rutgers University and a research scientist at AT T Bell Laboratories working in computer architecture networking and digital optical computing He is the author of A Digital Design Methodology for Optical Computing and Principles of Computer Architecture and a contributing author to Computer Systems Design and Architecture Second Edition as well as the author of dozens of professional papers and patents relating to information technology VINCE HEURING is an associate professor and acting chair of the Department of Electrical and Computer Engineering at the University of Colorado at Boulder He has been at the university since 1984 and prior to that he spent three years at the University of Cincinnati Professor Heuring's research encompasses computer architectures and programming language design implementation He and his colleague Harry Jordan

designed and built the world's first stored program optical computer SPOC *Computer Architectures* Theodora Vardouli, Olga Touloumi, 2019-11-19 *Computer Architectures* is a collection of multidisciplinary historical works unearthing sites, concepts, and concerns that catalyzed the cross-contamination of computers and architecture in the mid-20th century. Weaving together intellectual, social, cultural, and material histories, this book paints the landscape that brought computing into the imagination, production, and management of the built environment, whilst foregrounding the impact of architecture in shaping technological development. The book is organized into sections corresponding to the classic von Neumann diagram for computer architecture: program control unit, storage, memory, input/output, and computation arithmetic logic unit, each acting as a quasi-material category for parsing debates among architects, engineers, mathematicians, and technologists. Collectively, authors bring forth the striking homologies between a computer program and an architectural program, a wall and an interface, computer memory and storage, architectures, structures of mathematics, and structures of things. The collection initiates new histories of knowledge and technology production that turn an eye toward disciplinary fusions and their institutional and intellectual drives. *Constructing the Common Ground between Design and Computing* this collection addresses audiences working at the nexus of design, technology, and society, including historians and practitioners of design and architecture, science and technology scholars, and media studies scholars *From Cisc to Risc* Clements, 1998-01-02

[Computer Architecture Exam Review](#) Cybellium, 2024-10-26 Designed for professionals, students, and enthusiasts alike, our comprehensive books empower you to stay ahead in a rapidly evolving digital world. Expert Insights: Our books provide deep, actionable insights that bridge the gap between theory and practical application. Up to Date Content: Stay current with the latest advancements, trends, and best practices in IT, AI, Cybersecurity, Business, Economics, and Science. Each guide is regularly updated to reflect the newest developments and challenges. Comprehensive Coverage: Whether you're a beginner or an advanced learner, Cybellium books cover a wide range of topics from foundational principles to specialized knowledge tailored to your level of expertise. Become part of a global network of learners and professionals who trust Cybellium to guide their educational journey. www.cybellium.com **Computer Architecture Technology Trends** Architecture Technology Corporation, 2013-10-22 Please note this is a Short Discount publication. This year's edition of *Computer Architecture Technology Trends* analyses the trends which are taking place in the architecture of computing systems today. Due to the sheer number of different applications to which computers are being applied, there seems no end to the different adoptions which proliferate. There are, however, some underlying trends which appear. Decision makers should be aware of these trends when specifying architectures, particularly for future applications. This report is fully revised and updated and provides insight into the fundamentals of computer architecture: what it is and how it is applied to fit a particular problem definition. Also discussed is where the future leads, given current trends in computer architecture *The Architecture of Computer Hardware and Systems Software* Irv Englander, 2003 Fundamental principles that will keep you on the cutting

edge Most computer architecture books are just too technical and complex Focusing on specific technology they often bypass the basics and are outdated as quickly as technology advances Now Irv Englander s gentle but thorough introduction to computer architecture and systems software provides just the right amount of technical detail you ll need to make successful decisions in your future career The text covers all the basics in an accessible easy to understand way Organized in a form that parallels an actual computer system entire sections are devoted to principles of data hardware and software with computer interconnection clustering and networking integrated into the material to emphasize the importance of computer and system structure Assuming only basic knowledge these sections build up to an in depth understanding of each topic and how they interrelate to make up a computer system With this Third Edition s outstanding features you ll be able to build a solid foundation for success on the job All chapters have been thoroughly updated to reflect current technology Revised with even clearer discussions of virtual storage the operation of memory and modern CPU architectures Programming examples are written in a C Java like pseudocode Emphasizes the computer aspects of clustering and networking rather than the data communication aspects Provide an understanding of underlying non changing basics of computers so that you can make knowledgeable decisions about systems Introduce new technological concepts without overwhelming you with too much detail Examples cover a broad spectrum of hardware and software systems from personal computers to mainframes Integrates discussions of hardware and software throughout and explores the symbiosis between them

Unveiling the Energy of Verbal Artistry: An Mental Sojourn through **Computer Architecture**

In a world inundated with displays and the cacophony of fast connection, the profound power and mental resonance of verbal artistry usually fade in to obscurity, eclipsed by the continuous onslaught of noise and distractions. Yet, set within the lyrical pages of **Computer Architecture**, a fascinating function of literary elegance that pulses with fresh emotions, lies an wonderful journey waiting to be embarked upon. Written by a virtuoso wordsmith, this exciting opus guides viewers on an emotional odyssey, lightly exposing the latent potential and profound impact stuck within the complex internet of language. Within the heart-wrenching expanse with this evocative evaluation, we shall embark upon an introspective exploration of the book is key styles, dissect its interesting publishing type, and immerse ourselves in the indelible impression it leaves upon the depths of readers souls.

https://enterpriseenrollment.cruiselady.com/files/virtual-library/default.aspx/Approach_To_Hamlet.pdf

Table of Contents Computer Architecture

1. Understanding the eBook Computer Architecture
 - The Rise of Digital Reading Computer Architecture
 - Advantages of eBooks Over Traditional Books
2. Identifying Computer Architecture
 - Exploring Different Genres
 - Considering Fiction vs. Non-Fiction
 - Determining Your Reading Goals
3. Choosing the Right eBook Platform
 - Popular eBook Platforms
 - Features to Look for in an Computer Architecture
 - User-Friendly Interface
4. Exploring eBook Recommendations from Computer Architecture
 - Personalized Recommendations

- Computer Architecture User Reviews and Ratings
- Computer Architecture and Bestseller Lists
- 5. Accessing Computer Architecture Free and Paid eBooks
 - Computer Architecture Public Domain eBooks
 - Computer Architecture eBook Subscription Services
 - Computer Architecture Budget-Friendly Options
- 6. Navigating Computer Architecture eBook Formats
 - ePub, PDF, MOBI, and More
 - Computer Architecture Compatibility with Devices
 - Computer Architecture Enhanced eBook Features
- 7. Enhancing Your Reading Experience
 - Adjustable Fonts and Text Sizes of Computer Architecture
 - Highlighting and Note-Taking Computer Architecture
 - Interactive Elements Computer Architecture
- 8. Staying Engaged with Computer Architecture
 - Joining Online Reading Communities
 - Participating in Virtual Book Clubs
 - Following Authors and Publishers Computer Architecture
- 9. Balancing eBooks and Physical Books Computer Architecture
 - Benefits of a Digital Library
 - Creating a Diverse Reading Collection Computer Architecture
- 10. Overcoming Reading Challenges
 - Dealing with Digital Eye Strain
 - Minimizing Distractions
 - Managing Screen Time
- 11. Cultivating a Reading Routine Computer Architecture
 - Setting Reading Goals Computer Architecture
 - Carving Out Dedicated Reading Time
- 12. Sourcing Reliable Information of Computer Architecture
 - Fact-Checking eBook Content of Computer Architecture

- Distinguishing Credible Sources
- 13. Promoting Lifelong Learning
 - Utilizing eBooks for Skill Development
 - Exploring Educational eBooks
- 14. Embracing eBook Trends
 - Integration of Multimedia Elements
 - Interactive and Gamified eBooks

Computer Architecture Introduction

In the digital age, access to information has become easier than ever before. The ability to download Computer Architecture has revolutionized the way we consume written content. Whether you are a student looking for course material, an avid reader searching for your next favorite book, or a professional seeking research papers, the option to download Computer Architecture has opened up a world of possibilities. Downloading Computer Architecture provides numerous advantages over physical copies of books and documents. Firstly, it is incredibly convenient. Gone are the days of carrying around heavy textbooks or bulky folders filled with papers. With the click of a button, you can gain immediate access to valuable resources on any device. This convenience allows for efficient studying, researching, and reading on the go. Moreover, the cost-effective nature of downloading Computer Architecture has democratized knowledge. Traditional books and academic journals can be expensive, making it difficult for individuals with limited financial resources to access information. By offering free PDF downloads, publishers and authors are enabling a wider audience to benefit from their work. This inclusivity promotes equal opportunities for learning and personal growth. There are numerous websites and platforms where individuals can download Computer Architecture. These websites range from academic databases offering research papers and journals to online libraries with an expansive collection of books from various genres. Many authors and publishers also upload their work to specific websites, granting readers access to their content without any charge. These platforms not only provide access to existing literature but also serve as an excellent platform for undiscovered authors to share their work with the world. However, it is essential to be cautious while downloading Computer Architecture. Some websites may offer pirated or illegally obtained copies of copyrighted material. Engaging in such activities not only violates copyright laws but also undermines the efforts of authors, publishers, and researchers. To ensure ethical downloading, it is advisable to utilize reputable websites that prioritize the legal distribution of content. When downloading Computer Architecture, users should also consider the potential security risks associated with online platforms. Malicious actors may exploit vulnerabilities in unprotected websites to distribute malware or steal personal information. To protect themselves,

individuals should ensure their devices have reliable antivirus software installed and validate the legitimacy of the websites they are downloading from. In conclusion, the ability to download Computer Architecture has transformed the way we access information. With the convenience, cost-effectiveness, and accessibility it offers, free PDF downloads have become a popular choice for students, researchers, and book lovers worldwide. However, it is crucial to engage in ethical downloading practices and prioritize personal security when utilizing online platforms. By doing so, individuals can make the most of the vast array of free PDF resources available and embark on a journey of continuous learning and intellectual growth.

FAQs About Computer Architecture Books

1. Where can I buy Computer Architecture books? Bookstores: Physical bookstores like Barnes & Noble, Waterstones, and independent local stores. Online Retailers: Amazon, Book Depository, and various online bookstores offer a wide range of books in physical and digital formats.
2. What are the different book formats available? Hardcover: Sturdy and durable, usually more expensive. Paperback: Cheaper, lighter, and more portable than hardcovers. E-books: Digital books available for e-readers like Kindle or software like Apple Books, Kindle, and Google Play Books.
3. How do I choose a Computer Architecture book to read? Genres: Consider the genre you enjoy (fiction, non-fiction, mystery, sci-fi, etc.). Recommendations: Ask friends, join book clubs, or explore online reviews and recommendations. Author: If you like a particular author, you might enjoy more of their work.
4. How do I take care of Computer Architecture books? Storage: Keep them away from direct sunlight and in a dry environment. Handling: Avoid folding pages, use bookmarks, and handle them with clean hands. Cleaning: Gently dust the covers and pages occasionally.
5. Can I borrow books without buying them? Public Libraries: Local libraries offer a wide range of books for borrowing. Book Swaps: Community book exchanges or online platforms where people exchange books.
6. How can I track my reading progress or manage my book collection? Book Tracking Apps: Goodreads, LibraryThing, and Book Catalogue are popular apps for tracking your reading progress and managing book collections. Spreadsheets: You can create your own spreadsheet to track books read, ratings, and other details.
7. What are Computer Architecture audiobooks, and where can I find them? Audiobooks: Audio recordings of books, perfect for listening while commuting or multitasking. Platforms: Audible, LibriVox, and Google Play Books offer a wide selection of audiobooks.

8. How do I support authors or the book industry? Buy Books: Purchase books from authors or independent bookstores. Reviews: Leave reviews on platforms like Goodreads or Amazon. Promotion: Share your favorite books on social media or recommend them to friends.
9. Are there book clubs or reading communities I can join? Local Clubs: Check for local book clubs in libraries or community centers. Online Communities: Platforms like Goodreads have virtual book clubs and discussion groups.
10. Can I read Computer Architecture books for free? Public Domain Books: Many classic books are available for free as they're in the public domain. Free E-books: Some websites offer free e-books legally, like Project Gutenberg or Open Library.

Find Computer Architecture :

approach to hamlet

archaeology and the old testament.

applied micromechanics of porous materia

araby sotsializm i vozrozhdenie filosofskie razmyshleniiaaforizmy izrecheniia

april monthly activities

appliqué for baby 20 charming projects for the nursery

arbitration agreements in a transport law perspective

aqquyunlu clan confederation empire

applied math for wastewater plant operators

arc welding explained

arbres et brindilles

arc riders

aquarius rising ii the garden

aquarian age philosophy.

aqui y alla level 1-3 trofeos ser.

Computer Architecture :

romeo and juliet by william shakespeare project gutenber - Jun 13 2023

web nov 1 1998 71 517 free ebooks 334 by william shakespeare romeo and juliet by william shakespeare read now or

download free similar books readers also downloaded about this ebook

romeo and juliet by william shakespeare project gutenberg - Mar 10 2023

web jun 1 1999 romeo and juliet note there is an improved edition of this title ebook 1513 language english loc class pr language and literatures english literature subject vendetta drama subject youth drama subject verona italy drama subject juliet fictitious character drama subject romeo fictitious character

romeo and juliet study guide sparknotes - Jul 02 2022

web first performed around 1596 romeo and juliet has been adapted as a ballet an opera the musical west side story and a dozen films explore character analyses of romeo and juliet the plot overview and important quotes

romeo and juliet by william shakespeare open library - Feb 09 2023

web aug 19 2022 191 have read the oxford shakespeare offers authoritative texts from leading scholars in editions designed to interpret and illuminate the plays for modern readers romeo and juliet edited by jill l levenson a new modern spelling text collated and edited from all existing printings

oxford school shakespeare romeo and juliet amazon com tr - Sep 04 2022

web this edition of romeo and juliet includes illustrations preliminary notes reading lists including websites and classroom notes romeo and juliet is a set text for ks3 in england and remains one of the most popular texts for

romeo and juliet cambridge university press assessment - Dec 07 2022

web cambridge core literary texts romeo and juliet john dover wilson s new shakespeare published between 1921 and 1966 became the classic cambridge edition of shakespeare s plays and poems until the 1980s

romeo and juliet entire play folger shakespeare library - Aug 15 2023

web jul 31 2015 entire play the prologue of romeo and juliet calls the title characters star crossed lovers and the stars do seem to conspire against these young lovers romeo is a montague and juliet a capulet their families are enmeshed in a feud but the moment they meet when romeo and his friends attend a party at juliet s house in disguise

romeo and juliet summary characters facts britannica - Feb 26 2022

web aug 14 2023 shakespeare sets the scene in verona italy juliet and romeo meet and fall instantly in love at a masked ball of the capulets and they profess their love when romeo unwilling to leave climbs the wall into the orchard garden of her family s house and finds her alone at her window

romeo juliet by william shakespeare open library - Nov 06 2022

web may 2 2021 romeo and juliet is a tragedy written by william shakespeare early in his career about two young italian star crossed lovers whose deaths ultimately reconcile their feuding families it was among shakespeare s most popular plays during his lifetime and along with hamlet is one of his most frequently performed plays

romeo and juliet open textbook library - Apr 11 2023

web dec 31 2021 this is a comprehensive edition of romeo and juliet which distinguishes itself from other open access online editions by including editorial notes this edition also includes resources for teachers like bibliography

romeo and juliet İngilizce roman kitabını indir pdf ve epub - Mar 30 2022

web jun 22 2020 romeo and juliet İngilizce roman yayını türkçe olabilir yada olmayabilir romeo and juliet İngilizce roman kitabını ekitapyeri.com dan pdf epub veya rar formatında kolayca indirebilirsiniz kitap açıklaması william shakespeare baptised 26 april 1564 died 23 april 1616 was an english poet and

romeo and juliet folger shakespeare library - Jan 08 2023

web jun 6 2023 romeo and juliet act v scene iii monument belonging to the capulets romeo and paris dead juliet and friar laurence oil on canvas ca 1790 federal negro theatre project number three presents romeo and julie a romantic comedy by robert dunmore ruth choppening sames norris

romeo and juliet pdf free download of full play - Jul 14 2023

web download the complete romeo and juliet pdf shakespeare's original text free download a modern english version of romeo and juliet 14 95 read romeo and juliet online as either original text or the modern english version

romeo ve juliet kitabının İngilizce Özeti karakterler nkfu - Dec 27 2021

web aug 20 2021 romeo romeo is the teenage son of the montague family who are busy feuding with the capulets in the beginning romeo is brooding over his unrequited love for rosaline when he sees juliet at a party romeo instantly falls in love with her instead they impulsively decide to marry the next day

romeo and juliet archive org - Apr 30 2022

web romeoandjuliet.j.preface romeoisalludedtoasoneofshakespeare'spopularcharacters ii theallusions i iii 23 25 totheearthquake

romeo and juliet wikipedia - Aug 03 2022

web romeo and juliet is a tragedy written by william shakespeare early in his career about the romance between two italian youths from feuding families it was among shakespeare's most popular plays during his lifetime and along with hamlet is one of his most frequently performed today the title characters are regarded as archetypal young lovers

romeo and juliet translation shakespeare by litcharts - May 12 2023

web romeo and juliet translation table of contents the shakespeare version of romeo and juliet contains the complete original play alongside a line by line modern english translation now you can easily understand even the most complex and archaic words and phrases word spoken by romeo juliet mercutio friar laurence the nurse tybalt

romeo and juliet by william shakespeare open library - Oct 05 2022

web may 2 2021 193 have read romeo and juliet is a tragedy written by william shakespeare early in his career about two young italian star crossed lovers whose deaths ultimately reconcile their feuding families it was among shakespeare s most popular plays during his lifetime and along with hamlet is one of his most frequently performed plays

romeo vs juliet wikipedia - Jan 28 2022

web romeo vs juliet is a 2015 indo bangladesh joint production romantic comedy film directed by ashok pati the cast includes indian actors ankush hazra joey debroy and bangladeshi actress mahiya mahi it is produced by overseas films limited 2 3 the film released on 16 january 2015 1 4

romeo and juliet illustrated edition open library - Jun 01 2022

web apr 7 2022 romeo and juliet is a tragedy written by william shakespeare early in his career about two young italian star crossed lovers whose deaths ultimately reconcile their feuding families it was among shakespeare s most popular plays during his lifetime and along with hamlet is one of his most frequently performed plays

dirección estratégica internacional economía y empresa - Mar 29 2022

web dirección estratégica internacional economía y empresa aldeanueva fernández ignacio jiménez quintero José Antonio Amazon es libros libros universitarios y de estudios superiores negocios y finanzas envío rápido y gratis te ofrecemos una prueba gratis de 30 días de prime nuevo 37 00 precio recomendado 38 95

diŞ tİcaret stratejİsİ ve gmka - Oct 04 2022

web tr22 balikesİr Çanakkale gÜney marmara bÖlgesİ diŞ tİcaret stratejİsİ ve eylem planı

la estrategia de internacionalizaciÓn de la empresa un estudio de - Dec 06 2022

web internacional y de la competitividad 2 9 1 síntesis de factores clave de internacionalización de las teorías del comercio internacional y de la competitividad 2 9 2 aspectos relativos al modelo estratégico de internacionalización mei capítulo 3

máster en dirección estratégica internacional las 3 mejores - Aug 02 2022

web el precio del máster en dirección internacional estratégica es de 1 569 aproximadamente pero existen bonificaciones en concepto de becas que puede solicitar el alumnado interesado en cursar este título oficial el título de máster en dirección internacional estratégica ufv

direccion estrategica internacional economia y em spyder adecco - Jul 01 2022

web right here we have countless books direccion estrategica internacional economia y em and collections to check out we additionally give variant types and moreover type of the books to browse

dirección estratégica internacional ediciones pirámide - Apr 29 2022

web el planteamiento ha sido el propio de una estrategia de desarrollo internacional analizando los entornos globales más plausibles estudiando las fortalezas y debilidades a través de una posible ventaja competitiva sustentada en los entornos

internacionales así como la identificación de los países más propicios y la estrategia más idónea

direccion estrategica internacional economia y em full pdf - Aug 14 2023

web direccion estrategica internacional economia y em direccion estrategica internacional economia y em 2 downloaded from 50storiesfortomorrow ilfu com on 2022 11 11 by guest obtiene es que cada universidad puede perseguir un posicionamiento diferente aunque el éxito se sustenta en que dicho posicionamiento esté

direccion estrategica internacional economia y em - Nov 05 2022

web direccion estrategica internacional economia y em 5 5 herramientas de análisis y toma de decisiones estratégicas a su propio hotel para mejorar su posicionamiento competitivo adquirir los conocimientos y ejercitar las competencias necesarias para asumir posiciones de liderazgo en su empresa hotelera comprender los conceptos e ideas clave

direccion estrategica internacional economia y em 2022 - May 11 2023

web direccion estrategica internacional economia y em 1 direccion estrategica internacional economia y em un edificio una escuela dirección estratégica fundamentos de la dirección estratégica dirección estratégica para el siglo xxi dirección estratégica ii dirección estratégica internacional las multinacionales regionales

dirección estratégica internacional economía y empresa - Jan 07 2023

web el planteamiento ha sido el propio de una estrategia de desarrollo a nivel internacional analizando los entornos globales más plausibles auditar las fortalezas y debilidades a través de una posible ventaja competitiva sustentada en los entornos internacionales así como la identificación de los países más propicios y la estrategia más

direccion estrategica internacional economia y em copy - Feb 25 2022

web direccion estrategica internacional economia y em direccion estrategica internacional economia y em 2 downloaded from backoffice ceu social on 2023 05 08 by guest conseguir más ingresos en los mercados existentes o debemos explorar nuevos mercados cómo decidiremos si nuestra empresa hotelera se concentrará en un solo

direccion estrategica internacional economia y em full pdf - Jul 13 2023

web install direccion estrategica internacional economia y em consequently simple direccion estrategica internacional economia y em downloaded from doblespacio uchile cl by guest lilly herring

direccion estrategica internacional economia y em download - Jan 27 2022

web direccion estrategica internacional economia y em reviewing direccion estrategica internacional economia y em unlocking the spellbinding force of linguistics in a fast paced world fueled by information and interconnectivity the spellbinding force of linguistics has acquired newfound prominence

dirección estratégica internacional universidad de Málaga uma - Jun 12 2023

web dirección estratégica internacional universidad de Málaga uma oferta de grado facultad de ciencias económicas y

empresariales graduado a en economía graduado a en administración y dirección de empresas
[direccion estrategica internacional economia y em origin](#) - May 31 2022

web direccion estrategica internacional economia y em dirección estratégica bancaria caso idai nature internacionalización
expansión de negocios bio building bridges in a global economy la dirección estratégica de la empresa teoría y aplicaciones
principios de econom a pol tica caso idai nature inversión estrategias de

dış ticaret türkçe İzmir ekonomi Üniversitesi - Sep 15 2023

web Çalışma alanları mezunlarımız ithalat ihracat şirketlerinde işletmelerin dış ticaret bölümlerinde gümrük ve nakliye
firmalarında uluslararası ekonomik kuruluşlarında avrupa birliği temsilciliklerinde ticaret bakanlığı nda lojistik firmalarında
ve bankaların kambiyo bölümlerinde çalışma imkanına sahiptir

qué es definición y concepto 2023 economipedia - Mar 09 2023

web dec 21 2019 la dirección estratégica busca alinear todos los esfuerzos de la organización en torno a un gran objetivo
empresarial cuando se dirige una empresa una de las tareas fundamentales es saber hacia dónde ir y eso depende de la
[dirección estratégica de la empresa internacional udim](#) - Sep 03 2022

web la dirección estratégica de la empresa internacional aborda las tres principales cuestiones referidas a la la dirección
empresarial el análisis la formulación y la implantación de estrategias

[dirección estratégica internacional máster udim](#) - Apr 10 2023

web la dirección estratégica internacional forma parte de la dirección estratégica de la empresa está referida a las tres
cuestiones básicas en la dirección empresarial el análisis la formulación y la implantación de estrategias con relación a los
negocios internacionales

[dirección estratégica internacional economía y empresa](#) - Feb 08 2023

web dirección estratégica internacional economía y empresa de jiménez quintero José Antonio Aldeanueva Fernández Ignacio
ISBN 10 8436839587 ISBN 13 9788436839586 pirámide 2018 tapa blanda

[sample letter to write a report on a fire accident india study](#) - Sep 25 2022

web feb 27 2015 looking for a sample format of letter to write a report head to this article to get an idea on how to start
with given here is a report written for a situation of fire accident in a ladies hostel and submitted to the principal of the
college read more information in the article body introduction

[how to write an incident report letter sample tips and examples](#) - Jul 24 2022

web aug 6 2023 contents show the best structure for an incident report letter sample writing an incident report letter can
be stressful especially if you have not done it before however with the right structure you can easily capture all the essential
details of the incident while keeping it concise and professional

how to write a fire incident report fire rescue 1 - Apr 01 2023

web dec 8 2021 vincent bettinazzi how to write a fire incident report common errors to avoid and tips for success avoid three common errors miscoding inaccurate or omitted time recording and incomplete

fire accident report 10 examples format pdf examples - May 22 2022

web 1 vehicle fire chance report 2 fire accident investigation report 10 fire accident report past 1 vehicle firing accident report phoenix gov details file format pdf size 16 kb download 2 fire accident investigation report coloradofirecamp com details file format pdf size 48 kb download 3 fire accident assistance report thruway ny gov

how to write an effective incident report safetyculture - Feb 28 2023

web apr 16 2021 how to write an incident report letter sample the sample incident report below is still based on the walkthrough sample above but in the form of a letter april 16th 2021 worksite compound 1 a 939 putty road blaxlands ridge nsw 2758 australia

free fire incident report form pdf word eforms - Nov 27 2022

web apr 25 2023 create document updated april 25 2023 a fire incident report allows anyone who discovers a fire to report it the incident report asks for such details as the time and location of the discovery as well as the names of any witnesses or the details of any injuries caused as a result of the fire the report can be given to a local fire station

incident report letter 6 examples format pdf - May 02 2023

web an incident report provides the parties concerned with a clear outlook on how the incident occurred and what can be done to prevent it from occurring again in the near future here is a list of templates that you can use to properly draft an incident report keep scrolling

fire incident report sample fill out sign online dochub - Feb 16 2022

web add the template fire incident report format sample for redacting click on the new document option above then drag and drop the document to the upload area import it from the cloud or via a link change your file make any changes needed insert text and pictures to your template fire incident report format sample underline information

report writing on fire accidents byju s - Jun 22 2022

web the entire area around the mall was covered with thick black smoke everyone from the mall was evacuated before the fire engulfed a major portion of the mall the manager of the mall had called the firefighters to put out the fire the locals tried to put out the fire but their efforts were of no use

fire accident report 10 examples format pdf examples - Dec 29 2022

web 1 vehicle fire accident report 2 fire accident investigation report 10 fire accident report examples 1 vehicle fire accident report phoenix gov details file format pdf size 16 kb download 2 fire accident investigation report coloradofirecamp com

details file format pdf size 48 kb download 3 fire accident assistance report

incident report sample letter how to write an effective report - Apr 20 2022

web aug 5 2023 this article provides a sample incident report letter to guide individuals or organizations in creating their own incident report it includes relevant information such as the date and time of the incident individuals involved witnesses present and a description of what happened

free 7 sample fire incident reports in pdf ms word - Jan 30 2023

web our website s sample reports for fire incidents cover several examples from different establishments and state fire departments these samples are intended to show how fire reports are made and can be used as guides for whatever purpose they may serve to users regarding fire reporting

free 10 fire accident report samples department incident - Oct 27 2022

web 1 fire department accident report 2 fire accident preliminary report 10 fire accident report samples 1 fire department accident report alertderby com details file format pdf size 91 kb download 2 fire accident preliminary report wildfirelessons net details file format pdf size 142 kb download 3 fire accident follow up report

free fire incident report form pdf safetyculture - Jul 04 2023

web sep 4 2023 this example of a fire incident report can be viewed as a pdf and web report it includes details such as the incident location problems identified evidence found people involved and other important information this uses a pre existing template that can be modified according to the investigation team s needs

sample letter to write a report on a fire accident - Aug 05 2023

web here is a sample letter report to a fire accident that may happen a memo report on an accident that took place in a leading plastic manufacturing unit abc plastics private limited

free 10 fire accident report samples department incident - Mar 20 2022

web fire accidents report 10 fire accident message samples 1 fire department accident report 2 fire accident preliminary report 3 fire injury follow up report 4 marine fire accident investigation report 5 fire accident alarm incident report 6 fire accident incident request report 7 vehicle fire accident report 8 fire accident

writing the fire investigation report interfire - Jun 03 2023

web the following format can be used to construct fire scene investigation reports when a full narrative is required i description date if different than dispatch date time in 24 hour clock time time that fire investigation unit arrives on scene address corrected when applicable fire out or still in progress

fire incident report 10 examples templates examples - Aug 25 2022

web fire incident report fire incident report instances model 1 dismiss incident report example 2 vehicle fire incident report 3

fire happening report request form 4 building fire incident report 5 sample fire incident record 6 structure of fire incident report 7 fire incident managerial situation report 8 office fire accident

fire incident report 10 examples templates - Oct 07 2023

web we have listed some of the fire incident report examples templates that will make it sure that none of these crucial points will be overlooked fire incident report examples templates 1 fire incident report example

top 5 fire report templates with samples and examples - Sep 06 2023

web feb 3 2023 we at slideteam have compiled a list of top 5 fire report templates to collect and report emergency response activities of the fire service use these ppt templates to report on the fire safety operations including fire budget emergency medical services ems and new equipment used in fire response fleet