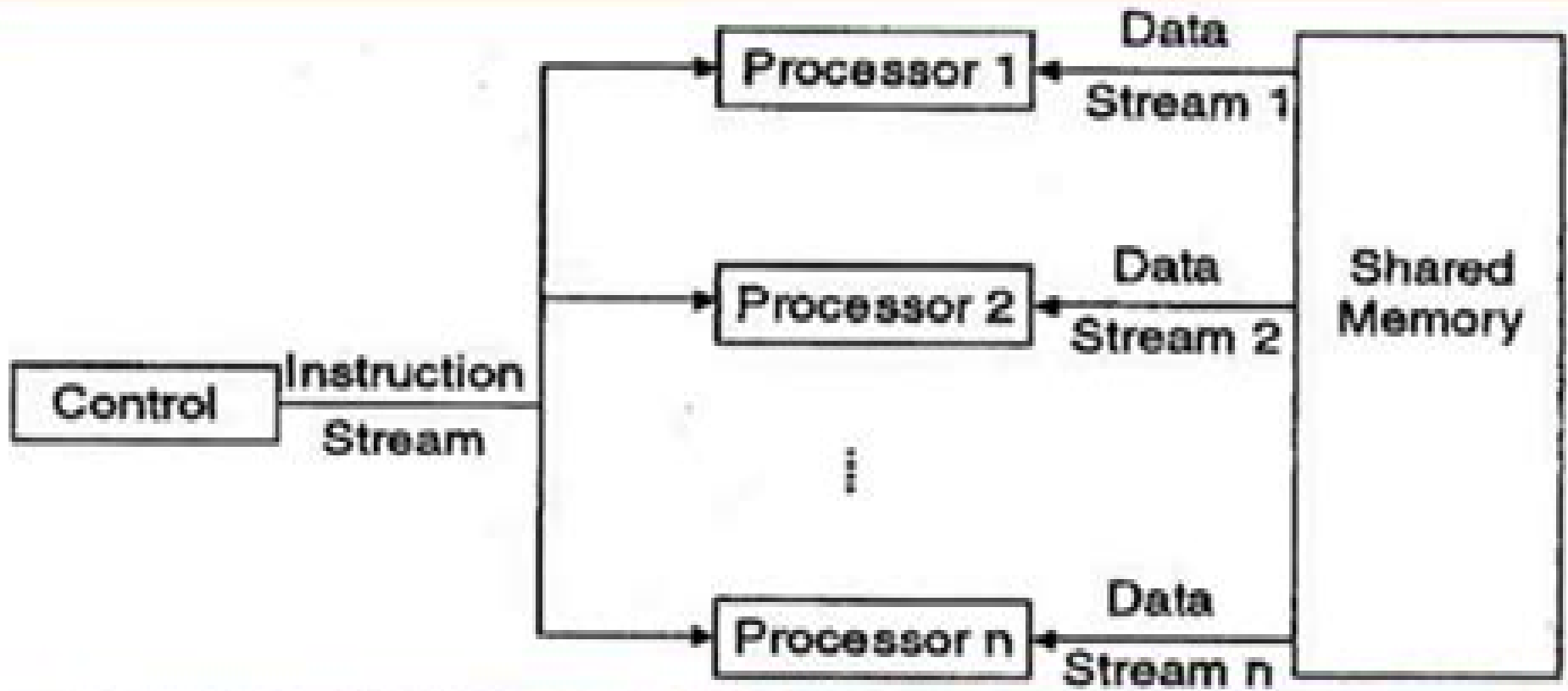


# Parallel Processing



COMPUTER SCIENCE ACADEMY BY DINESH SIR



# Computer Architecture And Parallel Processing

**EW Minium**



## **Computer Architecture And Parallel Processing:**

As recognized, adventure as skillfully as experience more or less lesson, amusement, as with ease as concurrence can be gotten by just checking out a ebook **Computer Architecture And Parallel Processing** then it is not directly done, you could assume even more nearly this life, just about the world.

We have the funds for you this proper as competently as easy exaggeration to acquire those all. We give Computer Architecture And Parallel Processing and numerous ebook collections from fictions to scientific research in any way. in the midst of them is this Computer Architecture And Parallel Processing that can be your partner.

<https://enterpriseenrollment.cruiselady.com/public/scholarship/index.jsp/arts%20and%20crafts%20patterns%20and%20designs.pdf>

## **Table of Contents Computer Architecture And Parallel Processing**

1. Understanding the eBook Computer Architecture And Parallel Processing
  - The Rise of Digital Reading Computer Architecture And Parallel Processing
  - Advantages of eBooks Over Traditional Books
2. Identifying Computer Architecture And Parallel Processing
  - Exploring Different Genres
  - Considering Fiction vs. Non-Fiction
  - Determining Your Reading Goals
3. Choosing the Right eBook Platform
  - Popular eBook Platforms
  - Features to Look for in an Computer Architecture And Parallel Processing
  - User-Friendly Interface
4. Exploring eBook Recommendations from Computer Architecture And Parallel Processing
  - Personalized Recommendations
  - Computer Architecture And Parallel Processing User Reviews and Ratings
  - Computer Architecture And Parallel Processing and Bestseller Lists

5. Accessing Computer Architecture And Parallel Processing Free and Paid eBooks
  - Computer Architecture And Parallel Processing Public Domain eBooks
  - Computer Architecture And Parallel Processing eBook Subscription Services
  - Computer Architecture And Parallel Processing Budget-Friendly Options
6. Navigating Computer Architecture And Parallel Processing eBook Formats
  - ePub, PDF, MOBI, and More
  - Computer Architecture And Parallel Processing Compatibility with Devices
  - Computer Architecture And Parallel Processing Enhanced eBook Features
7. Enhancing Your Reading Experience
  - Adjustable Fonts and Text Sizes of Computer Architecture And Parallel Processing
  - Highlighting and Note-Taking Computer Architecture And Parallel Processing
  - Interactive Elements Computer Architecture And Parallel Processing
8. Staying Engaged with Computer Architecture And Parallel Processing
  - Joining Online Reading Communities
  - Participating in Virtual Book Clubs
  - Following Authors and Publishers Computer Architecture And Parallel Processing
9. Balancing eBooks and Physical Books Computer Architecture And Parallel Processing
  - Benefits of a Digital Library
  - Creating a Diverse Reading Collection Computer Architecture And Parallel Processing
10. Overcoming Reading Challenges
  - Dealing with Digital Eye Strain
  - Minimizing Distractions
  - Managing Screen Time
11. Cultivating a Reading Routine Computer Architecture And Parallel Processing
  - Setting Reading Goals Computer Architecture And Parallel Processing
  - Carving Out Dedicated Reading Time
12. Sourcing Reliable Information of Computer Architecture And Parallel Processing
  - Fact-Checking eBook Content of Computer Architecture And Parallel Processing
  - Distinguishing Credible Sources
13. Promoting Lifelong Learning

- Utilizing eBooks for Skill Development
  - Exploring Educational eBooks
14. Embracing eBook Trends
- Integration of Multimedia Elements
  - Interactive and Gamified eBooks

## **Computer Architecture And Parallel Processing Introduction**

In this digital age, the convenience of accessing information at our fingertips has become a necessity. Whether its research papers, eBooks, or user manuals, PDF files have become the preferred format for sharing and reading documents. However, the cost associated with purchasing PDF files can sometimes be a barrier for many individuals and organizations. Thankfully, there are numerous websites and platforms that allow users to download free PDF files legally. In this article, we will explore some of the best platforms to download free PDFs. One of the most popular platforms to download free PDF files is Project Gutenberg. This online library offers over 60,000 free eBooks that are in the public domain. From classic literature to historical documents, Project Gutenberg provides a wide range of PDF files that can be downloaded and enjoyed on various devices. The website is user-friendly and allows users to search for specific titles or browse through different categories. Another reliable platform for downloading Computer Architecture And Parallel Processing free PDF files is Open Library. With its vast collection of over 1 million eBooks, Open Library has something for every reader. The website offers a seamless experience by providing options to borrow or download PDF files. Users simply need to create a free account to access this treasure trove of knowledge. Open Library also allows users to contribute by uploading and sharing their own PDF files, making it a collaborative platform for book enthusiasts. For those interested in academic resources, there are websites dedicated to providing free PDFs of research papers and scientific articles. One such website is Academia.edu, which allows researchers and scholars to share their work with a global audience. Users can download PDF files of research papers, theses, and dissertations covering a wide range of subjects. Academia.edu also provides a platform for discussions and networking within the academic community. When it comes to downloading Computer Architecture And Parallel Processing free PDF files of magazines, brochures, and catalogs, Issuu is a popular choice. This digital publishing platform hosts a vast collection of publications from around the world. Users can search for specific titles or explore various categories and genres. Issuu offers a seamless reading experience with its user-friendly interface and allows users to download PDF files for offline reading. Apart from dedicated platforms, search engines also play a crucial role in finding free PDF files. Google, for instance, has an advanced search feature that allows users to filter results by file type. By specifying the file type as "PDF," users can find websites that offer free PDF downloads on a specific topic. While downloading Computer Architecture And

Parallel Processing free PDF files is convenient, its important to note that copyright laws must be respected. Always ensure that the PDF files you download are legally available for free. Many authors and publishers voluntarily provide free PDF versions of their work, but its essential to be cautious and verify the authenticity of the source before downloading Computer Architecture And Parallel Processing. In conclusion, the internet offers numerous platforms and websites that allow users to download free PDF files legally. Whether its classic literature, research papers, or magazines, there is something for everyone. The platforms mentioned in this article, such as Project Gutenberg, Open Library, Academia.edu, and Issuu, provide access to a vast collection of PDF files. However, users should always be cautious and verify the legality of the source before downloading Computer Architecture And Parallel Processing any PDF files. With these platforms, the world of PDF downloads is just a click away.

### **FAQs About Computer Architecture And Parallel Processing Books**

How do I know which eBook platform is the best for me? Finding the best eBook platform depends on your reading preferences and device compatibility. Research different platforms, read user reviews, and explore their features before making a choice. Are free eBooks of good quality? Yes, many reputable platforms offer high-quality free eBooks, including classics and public domain works. However, make sure to verify the source to ensure the eBook credibility. Can I read eBooks without an eReader? Absolutely! Most eBook platforms offer webbased readers or mobile apps that allow you to read eBooks on your computer, tablet, or smartphone. How do I avoid digital eye strain while reading eBooks? To prevent digital eye strain, take regular breaks, adjust the font size and background color, and ensure proper lighting while reading eBooks. What the advantage of interactive eBooks? Interactive eBooks incorporate multimedia elements, quizzes, and activities, enhancing the reader engagement and providing a more immersive learning experience. Computer Architecture And Parallel Processing is one of the best book in our library for free trial. We provide copy of Computer Architecture And Parallel Processing in digital format, so the resources that you find are reliable. There are also many Ebooks of related with Computer Architecture And Parallel Processing. Where to download Computer Architecture And Parallel Processing online for free? Are you looking for Computer Architecture And Parallel Processing PDF? This is definitely going to save you time and cash in something you should think about. If you trying to find then search around for online. Without a doubt there are numerous these available and many of them have the freedom. However without doubt you receive whatever you purchase. An alternate way to get ideas is always to check another Computer Architecture And Parallel Processing. This method for see exactly what may be included and adopt these ideas to your book. This site will almost certainly help you save time and effort, money and stress. If you are looking for free books then you really should consider finding to assist you try this.

Several of Computer Architecture And Parallel Processing are for sale to free while some are payable. If you arent sure if the books you would like to download works with for usage along with your computer, it is possible to download free trials. The free guides make it easy for someone to free access online library for download books to your device. You can get free download on free trial for lots of books categories. Our library is the biggest of these that have literally hundreds of thousands of different products categories represented. You will also see that there are specific sites catered to different product types or categories, brands or niches related with Computer Architecture And Parallel Processing. So depending on what exactly you are searching, you will be able to choose e books to suit your own need. Need to access completely for Campbell Biology Seventh Edition book? Access Ebook without any digging. And by having access to our ebook online or by storing it on your computer, you have convenient answers with Computer Architecture And Parallel Processing To get started finding Computer Architecture And Parallel Processing, you are right to find our website which has a comprehensive collection of books online. Our library is the biggest of these that have literally hundreds of thousands of different products represented. You will also see that there are specific sites catered to different categories or niches related with Computer Architecture And Parallel Processing So depending on what exactly you are searching, you will be able to choose ebook to suit your own need. Thank you for reading Computer Architecture And Parallel Processing. Maybe you have knowledge that, people have search numerous times for their favorite readings like this Computer Architecture And Parallel Processing, but end up in harmful downloads. Rather than reading a good book with a cup of coffee in the afternoon, instead they juggled with some harmful bugs inside their laptop. Computer Architecture And Parallel Processing is available in our book collection an online access to it is set as public so you can download it instantly. Our digital library spans in multiple locations, allowing you to get the most less latency time to download any of our books like this one. Merely said, Computer Architecture And Parallel Processing is universally compatible with any devices to read.

### **Find Computer Architecture And Parallel Processing :**

**arts and crafts patterns and designs**

[arzneimitteltherapie in der urologie eine klinischpharmakologischer leitfaden](#)

[asia pacific construction costs handbook](#)

*artists questions answered oil painting*

arun joshi

**arts of japan an illustrated history**

**artificial intelligence. implications for cim. artificial intelligence in industry**

*arthurs eyes an arthur adventure/book and cassette bk&cassett edition*

artillery system phoenix command  
*as level ict*

**artistry in strings 1 double base middle position**

~~asian and african studies. volume 25.~~

**artist in business basic business practi**

**as the world turn full circle**

*ashlee simpson - autobiography*

### **Computer Architecture And Parallel Processing :**

**geschichte der estnischen literatur de gruyter** - Sep 21 2023

web sep 25 2008 schriftliche fixierung das frühe estnische schrifttum 1525 35 1800 kapitel iii neue genres von der erbauung zur zerstreung 1800 1870 kapitel iv professionalisierung 1870 1900 kapitel vi literatur im eigenen staat 1918 1940 kapitel viii neue vorzeichen literarische aufbäumung und selbstbehauptung 1953 1991

*geschichte der estnischen literatur von den anfan* - Oct 10 2022

web bauernbefreiung vom ausgang des 18 bis über die mitte des 19 jhs guntram philipp 1974 geschichte der estnischen literatur cornelius hasselblatt 2006 es handelt sich um die erste moderne gesamt-darstellung der estnischen literatur von den anfängen bis zur gegenwart sie ist mit ihrem register einem umfangreichen literaturverzeichnis

**geschichte der estnischen literatur von den anfan pdf** - Apr 16 2023

web sep 17 2023 geschichte der estnischen literatur von den anfan 3 7 downloaded from uniport edu ng on september 17 2023 by guest weg in den herbst uwe berger 2013 08 11 in dieser autobiografie von 1987

estnische literatur auf deutsch visitestonia com - Jan 13 2023

web cornelius hasselblatt geschichte der estnischen literatur von den anfängen bis zur gegenwart de gruyter berlin 2006 peter petersen hrsg kalevipoeg das estnische nationalepos in der Übersetzung von ferdinand löwe mayer stuttgart 2004 jaan kross der verrückte des zaren

*geschichte der estnischen literatur von den anfan copy* - Sep 09 2022

web kindly say the geschichte der estnischen literatur von den anfan is universally compatible with any devices to read geschichte der estnischen literatur von den anfan 2022 02 03 gretchen hudson erzählregionen suomalaisen kirjallisuuden seura die vorliegende abhandlung ist aus einem vortrag über das thema die entstehung der

*nach dem pipeline angriff an der nato ostgrenze tagesspiegel* - Apr 04 2022

web 16 hours ago nur ein kleiner fluss trennt estland vom mächtigen nachbarn russland die furcht vor moskau ist groß wie

die östlichste flanke der nato mit der bedrohung umgeht

**geschichte der estnischen literatur von den anfan pdf** - Nov 11 2022

web geschichte der estnischen literatur estnische literatur in deutscher sprache 1784 2003 festschrift der bei der kaiserlichen universität dorpat bestehenden gelehrten estnischen gesellschaft zur feier ihres fünfzigjährigen bestehens

**geschichte der estnischen literatur von den anfängen bis zur** - Feb 14 2023

web dem geld kamen die tränen pdf download seppengel geschichte der estnischen literatur von den anfängen bis pressestimmen wer die estnische literatur von den anfängen bis zur gegenwart gründlich kennen lernen und ein nachschlagewerk von format erwerben will sollte sich von dem hohen preis des werkes von c h nicht abschrecken

**geschichte der estnischen literatur von den anfängen bis zur** - Dec 12 2022

web geschichte der estnischen literatur von den anfängen bis estland ein land zwischen der eu und russland karl august hermann 150 jahre 1851 1909 free online institut für den öffentlichen sektor public geschichte der estnischen literatur von den anfängen bis lernen aus der geschichte de widerstand gegen ns herrschaft

**geschichte der estnischen literatur von den anfan pdf** - May 17 2023

web geschichte der estnischen literatur von den anfan literatur inter und transmedial inter and transmedial literature may 13 2021 literatur oder allgemeiner texte sind nicht erst seit dem 20 jahrhundert inter und transmedial ausgerichtet dennoch ist es sinnvoll von einer medial reflexiven literatur erst seit dem audiovisuellen

die geschichte der elfen elben arendt anja amazon de - Feb 02 2022

web autorin anja arendt beschreibt sehr informativ die geschichte der elfen als naturgeister aber auch göttliche wesen alten mythen europas irland skandinavien u a neben einigen zusammenfassungen der berühmtesten legenden gibt es eine ausführliche betrachtung der geschichte und der entwicklung der elfen in der klassischen

**cornelius hasselblatt geschichte der estnischen literatur von den** - Aug 20 2023

web cornelius hasselblatt geschichte der estnischen literatur von den anfängen bis zur gegenwart berlin new york walter de gruyter 2006 869 s cornelius hasselblatt professor für finno ugrische sprachen und kulturen an der rijksuniversiteit groningen ist einer der bedeutendsten zeitgenössischen kenner der estnischen literatur

**estnische literatur wikipedia** - Mar 15 2023

web das älteste erhaltene manuskript ist die handschrift von kullamaa 1524 1532 mit katholischen gebeten und dem glaubensbekenntnis das älteste teilweise 11 seiten erhaltene estnische buch ist ein zweisprachiger niederdeutsch estnischer katechismus stammt aus dem jahr 1535 und wurde erst 1929 entdeckt

**die entdeckung der fantasie eine kleine geschichte der** - May 05 2022

web may 18 2022 modernismus und postmodernismus haben die türkische fantasy literatur vor allem zu beginn der 2000er

jahre beeinflusst die fantasymotive in den romanen beschränkten sich in der folge nicht mehr nur auf kleine magische elemente sondern zielten auch darauf ab dem leser unwirkliche gegenden menschen und leben vor

**geschichte der estnischen literatur von den anfan copy** - Aug 08 2022

web may 3 2023 this geschichte der estnischen literatur von den anfan but end going on in harmful downloads rather than enjoying a good pdf following a mug of coffee in the afternoon otherwise they juggled in the manner of some harmful virus inside their computer geschichte der estnischen literatur von den anfan is nearby in our digital library an

*nato verstärkt nach pipeline schäden patrouillen in der ostsee* - Mar 03 2022

web 1 day ago foto janis laizans reuters die nato hat nach dem schaden an einer gaspipeline zwischen estland und finnland verstärkte patrouillen in der ostsee angekündigt vorgesehen seien zusätzliche

**etel adnan wikipedia** - Jun 06 2022

web leben etel adnan war die tochter einer griechin und eines syrers der offizier in der osmanischen armee in smyrna gewesen war und wuchs mit griechischer und türkischer muttersprache in einer arabisch sprechenden umwelt auf in dem seinerzeit französisch kontrollierten libanon besuchte sie die katholische französische mädchenschule und

*geschichte der estnischen literatur von den anfan pdf* - Jun 18 2023

web geschichte der estnischen literatur von den anfan 1 geschichte der estnischen literatur von den anfan schriften der gelehrten estnischen gesellschaft aufklärung im baltikum estnische literatur in deutscher sprache 1784 2003 boris meissner osteuropa und das völkerrecht kalevipoeg studies estnische literatur in deutscher sprache 1802

*geschichte der estnischen literatur von den anfan full pdf* - Jul 19 2023

web geschichte der estnischen volkslieder weltgeschichte der literatur verhandlungen der gelehrten estnischen gesellschaft finnisch ugrische forschungen estnische literatur in deutscher sprache 1784 2003 geschichte der estnischen literatur von den anfan downloaded from db csda org by guest emilie kash the code of concord lüneburg

*literaturgeschichte wikipedia* - Jul 07 2022

web der begriff literaturgeschichte hatte bis mitte des 18 jahrhunderts die bedeutung berichte aus der gelehrten welt und wurde seit etwa 1830 neu definiert als feld der nationalen sprachlich fixierten Überlieferung innerhalb derer die künstlerisch gestalteten werke maßgeblich sind

**lesson info for mouse genetics one trait explorelearning** - Mar 02 2023

web mouse genetics one trait breed pure mice with known genotypes that exhibit specific fur colors and learn how traits are passed on via dominant and recessive genes mice can be stored in cages for future breeding and the statistics of fur color are reported every time a pair of mice breed

**student exploration mouse genetics one trait gizmo all answers** - Oct 29 2022

web student exploration mouse genetics one trait gizmo all answers are 100 correct student exploration mouse genetics one trait vocabulary allele dna dominant allele gene genotype heredity heterozygous homozygous hybrid inh show more preview 1 out of 5 pages generating your document exam details 10 45 add to cart

*mouse genetics gizmos answers docx done studocu* - Jun 24 2022

web note to teachers and students this gizmo was designed as a follow up to the mouse genetics one trait gizmo we recommend doing that activity before trying this one prior knowledge questions do these before using the gizmo a single coin is flipped four times what do you think is the most likely outcome a four heads b

**student exploration mouse genetics one trait** - May 04 2023

web the rules of inheritance were discovered in the 19th century by gregor mendel with the mouse genetics one trait gizmo you will study how one trait or feature is inherited drag two black mice into the parent 1 and parent 2 boxes click breed to view the five offspring of these parents

**mouse genetics one trait amazon web services** - Dec 31 2022

web heredity is the passage of genetic information from parents to offspring the rules of inheritance were discovered in the 19th century by gregor mendel with the mouse genetics one trait gizmo you will study how one trait or feature is inherited 1 drag two black mice into the parent 1 and parent 2 boxes

**explore learning gizmos student exploration mouse genetics one trait** - Jul 06 2023

web with the mouse genetics one trait gizmo you will study how one trait or feature is inherited drag two black mice into the parent 1 and parent 2 boxes click breed several times what do the offspring look like all the babies are with dark fur colors no whites

**gizmos mouse genetics one trait answer key 2022** - May 24 2022

web gizmos mouse genetics one trait answer key 2022 docmerit gizmos mouse genetics one trait answer key 2022 6 95 browse study resource subjects university of texas arlington geography

*mouse genetics one trait gizmo flashcards quizlet* - Aug 07 2023

web biology genetics mouse genetics one trait gizmo allele click the card to flip one of two or more forms that a gene could take click the card to flip 1 14 flashcards learn test match q chat created by teacher terms in this set 14 allele one of two or more forms that a gene could take dna

**mouse genetics one trait gizmo explorelearning gizmos** - Feb 01 2023

web breed pure mice with known genotypes that exhibit specific fur colors and learn how traits are passed on via dominant and recessive genes mice can be stored in cages for future breeding and the statistics of fur color are reported every time a pair of mice breed

*student exploration mouse genetics one trait answer key* - Jun 05 2023

web jun 4 2019 with the mouse genetics one trait gizmo you will study how one trait or feature is inherited 1 drag two black mice into the parent 1 and parent 2 boxes click breed several times what do the offspring look like 2 click clear and drag two white mice into the parent boxes click breed several times

**gizmos mouse genetics one trait answer key 2022** - Jul 26 2022

web jun 3 2022 exam elaborations 7 49 add to cart add to wishlist 100 satisfaction guarantee immediately available after payment both online and in pdf no strings attached 2492 0

**gizmos mouse genetics one trait answer key 2022** - Apr 22 2022

web jun 3 2022 gizmos mouse genetics one trait answer key 2022 vocabulary allele dna dominant allele gene genotype heredity heterozygous homozygous hybrid inheritance phenotype punnett square recess show more last updated 10 months ago preview 1 out of 5 pages add to cart instant download or get assignment

explore learning gizmo student exploration mouse genetics one trait - Mar 22 2022

web dec 12 2020 student exploration mouse genetics one trait and two traits vocabulary allele dna dominant allele gene genotype heredity heterozygous homozygous hybrid inheritance phenotype punnett square recessive allele trait gizmo warm up heredity is the passage of genetic information from parents to offspring the

**mouse genetics lab student exploration mouse genetics one trait** - Nov 29 2022

web with the mouse genetics one trait gizmo you will study how one trait or feature is inherited drag two black mice into the parent 1 and parent 2 boxes click breed to view the five offspring of these parents

student exploration mouse genetics answers - Oct 09 2023

web with the mouse genetics one trait gizmo you will study how one trait or feature is inherited drag two black mice into the parent 1 and parent 2 boxes click breed several times what do the offspring look like all the babies are with dark fur colors no whites

**unraveling the complexity of mouse genetics answers to one trait gizmo** - Feb 18 2022

web sep 24 2023 mouse genetics research is paving the way for remarkable discoveries in understanding one trait gizmo answers these small furry creatures have become invaluable tools in deciphering the complex genetic mechanisms that govern various traits and behaviors in not only mice but also humans

**gizmos mousegeneticsse key pdf please do not share mouse genetics one** - Apr 03 2023

web mouse genetics one trait answer key vocabulary allele dna dominant allele gene genotype heredity heterozygous homozygous hybrid inheritance phenotype punnett square recessive allele trait prior knowledge questions do these before using the gizmo note the purpose of these questions is to activate prior knowledge and get

[mouse genetics one trait gizmo answer key virtual high](#) - Sep 08 2023

web the rules of inheritance were discovered in the 19 th century by gregor mendel with the mouse genetics one trait gizmo you will study how one trait or feature is inherited 1 drag two black mice into the parent 1 and parent 2 boxes click breed to view the five offspring of these parents

**mouse genetics gizmo answer key exercises vocational** - Sep 27 2022

web download mouse genetics gizmo answer key and more vocational education exercises in pdf only on docsity student exploration mouse genetics one trait and two traits vocabulary allele dna dominant allele gene genotype heredity

heterozygous homozygous hybrid inheritance phenotype punnett square recessive allele trait

[unveiling the mouse genetics gizmo discovering the answer key for one](#) - Aug 27 2022

web discover the answer key for the mouse genetics one trait gizmo and learn how to navigate the gizmo platform explore the genetics of mice and understand how traits are inherited through generations perfect for students and educators looking for a comprehensive resource on mouse genetics

[9781775953999 xka mat g12 epb eng za](#) - Mar 10 2023

web 10 question 4 h x lo g 3 x 4 1 write down the domain and range of h 2 4 2 determine the equation of h 1 x 1 4 3 write down the equation of the line in which h and h 1 are reflections of each other 1 4 4 write down the equation of p x if p is the reflection of h in the y axis 2 4 5 write down the equation of q if q is the reflection of h in the x axis

**ixl grade 12 maths practice** - Aug 03 2022

web grade 12 maths here is a list of all of the maths skills students learn in grade 12 these skills are organised into categories and you can move your mouse over any skill name to preview the skill to start practising just click on any link ixl will track your score and the questions will automatically increase in difficulty as you improve

**x kit achieve grade 12 mathematics study guide** - Aug 15 2023

web grade 12 mathematics study guide packed with graded exercises and worked solutions x kit achieve mathematics study guides let learners assess and improve their maths skills in carefully structured exercises requiring them to practise the basics apply their skills and solve problems

**xkit mathematics for grade 12 help environment harvard edu** - Jul 02 2022

web right site to begin getting this info get the xkit mathematics for grade 12 associate that we pay for here and check out the link you could buy lead xkit mathematics for grade 12 or get it as soon as feasible you could speedily download this xkit mathematics for grade 12 after getting deal

**xkit grade 12 mathematics test reportandsupport gold ac** - Mar 30 2022

web get the xkit grade 12 mathematics join that we have the money for here and check out the link it is your surely own grow

old to re enact evaluating practice this is furthermore one of the components by procuring the digital documents of  
*x kit fet grade 12 mathematics notes stuvia sa* - Nov 06 2022

web nov 13 2020 all *x kit fet grade 12 mathematics notes summaries and study guides* are written by fellow students or tutors get yourself a *x kit fet grade 12 mathematics study guide* or other study material that matches

**xkit maths for grade 12 copy jmseniorliving** - Feb 26 2022

web learnxtra mathematics grade 12 study and master mathematical literacy grade 12 caps learner s book study and master accounting grade 12 caps teacher s guide chévere *x kit mathematics the musical core 101 essential theory and aural training for musicians maths for ages 11 12 science for cambridge secondary the theory of flight*

*xkit grade 12 mathematics sql gocohospitality com* - Jan 28 2022

web *xkit grade 12 mathematics 3 3 countries in asia as well as the former soviet socialist bloc countries of central asia and the balkans it analyses the region from the perspective of globalization and regional economic integration economic growth and sustainable development international*

**xkit grade 12 mathematics wp publish com** - Jun 01 2022

web the enigmatic realm of *xkit grade 12 mathematics unleashing the language is inner magic in a fast paced digital era where connections and knowledge intertwine the enigmatic realm of language reveals its inherent magic*

**grade 12 maths book pdf google drive** - Oct 05 2022

web sign in grade 12 maths book pdf google drive sign in

*x kit achieve* - Jun 13 2023

web study skills using mnemonics to improve memory have you ever had that feeling in an exam when you can t remember that one point you know you learnt it and you can see it on your study notes but you just can t remember what it is you ve written down al the ones you can remember but the one has slipped your mind don t despair when studying

*x kit achieve mathematics grade 12 study guide makro* - Apr 11 2023

web product details *x kit achieve mathematics grade 12 2nd edition is a caps compliant study guide that includes concise explanations and plenty of practice and sample test and exam papers with answers the series has been developed based on research and feedback from learners and teachers*

**xkit grade 12 mathematics pdf pdf voto unéal edu** - Apr 30 2022

web grade 12 mathematics pdf an enthralling opus penned by a very acclaimed wordsmith readers set about an immersive expedition to unravel the intricate significance of language and its indelible imprint on our lives

**catalogue x kit achieve** - Sep 04 2022

web covering grades 8 to 12 in one book the *x kit english essential reference* is the perfect resource for quick reference and

revision for english home and first additional language clear simple explanations and examples of grammar spelling comprehension visual literacy literary terms writing speaking and much more ensure that learners

[x kit achieve grade 12 mathematics exam practice book](#) - Jul 14 2023

web grade 12 mathematics exam practice book x kit achieve mathematics exam practice book includes exam papers and memoranda written by expert teachers and examiners to prepare learners for exams the exam practice book is caps compliant and follows the national examination guidelines structure

**x kit achieve grade 8 mathematics study guide** - Dec 27 2021

web x kit achieve mathematics grade 8 is a study guide which includes concise explanations plenty of practice and sample test and exam papers with answers the series has been developed based on research and feedback from learners and teachers it offers graded maths exercises which cover understanding application and problem solving skills

[x kit achieve grade 12 mathematical literacy study guide](#) - May 12 2023

web x kit achieve mathematical literacy study guides let learners assess and improve their mathematical skills by providing structured exercises requiring them to practise the basics apply their skills and solve problems step by step explanations and worked examples are provided to help the learner understand concepts clearly

[quick revision x kit achieve](#) - Feb 09 2023

web grade 12 mathematical literacy space shape and measurement grade 12 mathematical literacy space shape and measurement define a hectogram and a decigram in terms of grams

[xkit achieve brochure 05 19 classroom solutions](#) - Dec 07 2022

web grade 8 12 written by expert teachers x kit achieve study guides are a reliable resource for learning and revising and preparing learners for tests and exams the content is organised into units according to caps and clear step by step explanations help learners understand concepts

[x kit achieve mathematics grade 12 paperback loot](#) - Jan 08 2023

web mathematics grade 12 paperback f heany packed with graded exercises and worked solutions x kit achieve mathematics study guides let learners assess and improve their maths skills in carefully structured exercises requiring them to practise the basics apply their skills and solve problems