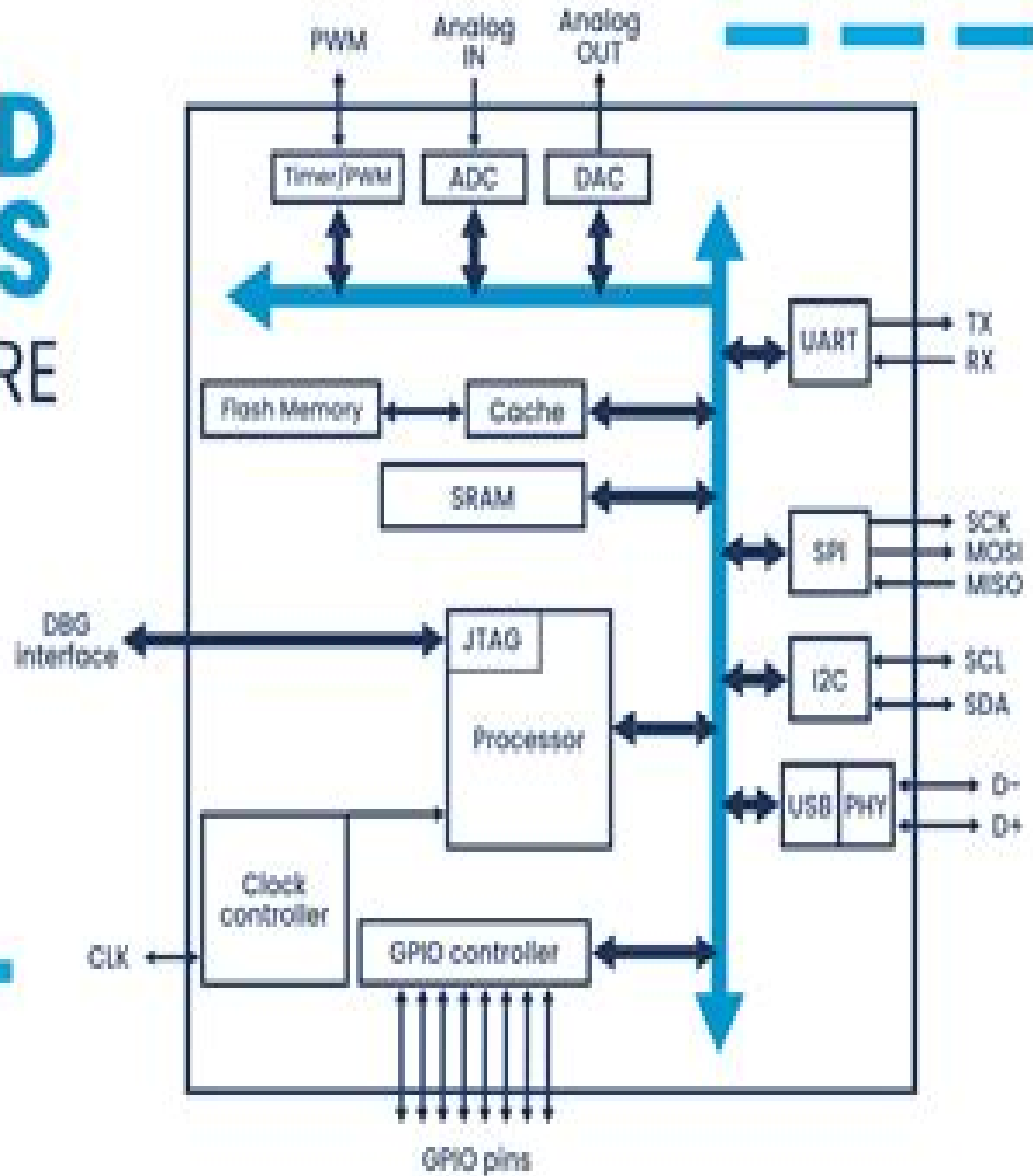


# EMBEDDED SYSTEMS ARCHITECTURE



IN Tech House



# Design Of Embedded Control Systems

**J Elliott**



## **Design Of Embedded Control Systems:**

If you ally compulsion such a referred **Design Of Embedded Control Systems** ebook that will offer you worth, get the categorically best seller from us currently from several preferred authors. If you desire to witty books, lots of novels, tale, jokes, and more fictions collections are afterward launched, from best seller to one of the most current released.

You may not be perplexed to enjoy every books collections Design Of Embedded Control Systems that we will unconditionally offer. It is not something like the costs. Its about what you compulsion currently. This Design Of Embedded Control Systems, as one of the most functioning sellers here will extremely be in the course of the best options to review.

[https://enterpriseenrollment.cruiselady.com/public/browse/HomePages/Strategy\\_For\\_Instagram\\_Theme\\_Page\\_For\\_Stay\\_At\\_Home\\_Parents\\_Proven.pdf](https://enterpriseenrollment.cruiselady.com/public/browse/HomePages/Strategy_For_Instagram_Theme_Page_For_Stay_At_Home_Parents_Proven.pdf)

## **Table of Contents Design Of Embedded Control Systems**

1. Understanding the eBook Design Of Embedded Control Systems
  - The Rise of Digital Reading Design Of Embedded Control Systems
  - Advantages of eBooks Over Traditional Books
2. Identifying Design Of Embedded Control Systems
  - Exploring Different Genres
  - Considering Fiction vs. Non-Fiction
  - Determining Your Reading Goals
3. Choosing the Right eBook Platform
  - Popular eBook Platforms
  - Features to Look for in an Design Of Embedded Control Systems
  - User-Friendly Interface
4. Exploring eBook Recommendations from Design Of Embedded Control Systems
  - Personalized Recommendations
  - Design Of Embedded Control Systems User Reviews and Ratings
  - Design Of Embedded Control Systems and Bestseller Lists

5. Accessing Design Of Embedded Control Systems Free and Paid eBooks
  - Design Of Embedded Control Systems Public Domain eBooks
  - Design Of Embedded Control Systems eBook Subscription Services
  - Design Of Embedded Control Systems Budget-Friendly Options
6. Navigating Design Of Embedded Control Systems eBook Formats
  - ePub, PDF, MOBI, and More
  - Design Of Embedded Control Systems Compatibility with Devices
  - Design Of Embedded Control Systems Enhanced eBook Features
7. Enhancing Your Reading Experience
  - Adjustable Fonts and Text Sizes of Design Of Embedded Control Systems
  - Highlighting and Note-Taking Design Of Embedded Control Systems
  - Interactive Elements Design Of Embedded Control Systems
8. Staying Engaged with Design Of Embedded Control Systems
  - Joining Online Reading Communities
  - Participating in Virtual Book Clubs
  - Following Authors and Publishers Design Of Embedded Control Systems
9. Balancing eBooks and Physical Books Design Of Embedded Control Systems
  - Benefits of a Digital Library
  - Creating a Diverse Reading Collection Design Of Embedded Control Systems
10. Overcoming Reading Challenges
  - Dealing with Digital Eye Strain
  - Minimizing Distractions
  - Managing Screen Time
11. Cultivating a Reading Routine Design Of Embedded Control Systems
  - Setting Reading Goals Design Of Embedded Control Systems
  - Carving Out Dedicated Reading Time
12. Sourcing Reliable Information of Design Of Embedded Control Systems
  - Fact-Checking eBook Content of Design Of Embedded Control Systems
  - Distinguishing Credible Sources
13. Promoting Lifelong Learning

- Utilizing eBooks for Skill Development
  - Exploring Educational eBooks
14. Embracing eBook Trends
- Integration of Multimedia Elements
  - Interactive and Gamified eBooks

### **Design Of Embedded Control Systems Introduction**

Design Of Embedded Control Systems Offers over 60,000 free eBooks, including many classics that are in the public domain. Open Library: Provides access to over 1 million free eBooks, including classic literature and contemporary works. Design Of Embedded Control Systems Offers a vast collection of books, some of which are available for free as PDF downloads, particularly older books in the public domain. Design Of Embedded Control Systems : This website hosts a vast collection of scientific articles, books, and textbooks. While it operates in a legal gray area due to copyright issues, its a popular resource for finding various publications. Internet Archive for Design Of Embedded Control Systems : Has an extensive collection of digital content, including books, articles, videos, and more. It has a massive library of free downloadable books. Free-eBooks Design Of Embedded Control Systems Offers a diverse range of free eBooks across various genres. Design Of Embedded Control Systems Focuses mainly on educational books, textbooks, and business books. It offers free PDF downloads for educational purposes. Design Of Embedded Control Systems Provides a large selection of free eBooks in different genres, which are available for download in various formats, including PDF. Finding specific Design Of Embedded Control Systems, especially related to Design Of Embedded Control Systems, might be challenging as theyre often artistic creations rather than practical blueprints. However, you can explore the following steps to search for or create your own Online Searches: Look for websites, forums, or blogs dedicated to Design Of Embedded Control Systems, Sometimes enthusiasts share their designs or concepts in PDF format. Books and Magazines Some Design Of Embedded Control Systems books or magazines might include. Look for these in online stores or libraries. Remember that while Design Of Embedded Control Systems, sharing copyrighted material without permission is not legal. Always ensure youre either creating your own or obtaining them from legitimate sources that allow sharing and downloading. Library Check if your local library offers eBook lending services. Many libraries have digital catalogs where you can borrow Design Of Embedded Control Systems eBooks for free, including popular titles. Online Retailers: Websites like Amazon, Google Books, or Apple Books often sell eBooks. Sometimes, authors or publishers offer promotions or free periods for certain books. Authors Website Occasionally, authors provide excerpts or short stories for free on their websites. While this might not be the Design Of Embedded Control Systems full book , it can give you a taste of the authors writing style. Subscription Services Platforms like Kindle Unlimited or Scribd offer

subscription-based access to a wide range of Design Of Embedded Control Systems eBooks, including some popular titles.

### **FAQs About Design Of Embedded Control Systems Books**

How do I know which eBook platform is the best for me? Finding the best eBook platform depends on your reading preferences and device compatibility. Research different platforms, read user reviews, and explore their features before making a choice. Are free eBooks of good quality? Yes, many reputable platforms offer high-quality free eBooks, including classics and public domain works. However, make sure to verify the source to ensure the eBook credibility. Can I read eBooks without an eReader? Absolutely! Most eBook platforms offer webbased readers or mobile apps that allow you to read eBooks on your computer, tablet, or smartphone. How do I avoid digital eye strain while reading eBooks? To prevent digital eye strain, take regular breaks, adjust the font size and background color, and ensure proper lighting while reading eBooks. What the advantage of interactive eBooks? Interactive eBooks incorporate multimedia elements, quizzes, and activities, enhancing the reader engagement and providing a more immersive learning experience. Design Of Embedded Control Systems is one of the best book in our library for free trial. We provide copy of Design Of Embedded Control Systems in digital format, so the resources that you find are reliable. There are also many Ebooks of related with Design Of Embedded Control Systems. Where to download Design Of Embedded Control Systems online for free? Are you looking for Design Of Embedded Control Systems PDF? This is definitely going to save you time and cash in something you should think about. If you trying to find then search around for online. Without a doubt there are numerous these available and many of them have the freedom. However without doubt you receive whatever you purchase. An alternate way to get ideas is always to check another Design Of Embedded Control Systems. This method for see exactly what may be included and adopt these ideas to your book. This site will almost certainly help you save time and effort, money and stress. If you are looking for free books then you really should consider finding to assist you try this. Several of Design Of Embedded Control Systems are for sale to free while some are payable. If you arent sure if the books you would like to download works with for usage along with your computer, it is possible to download free trials. The free guides make it easy for someone to free access online library for download books to your device. You can get free download on free trial for lots of books categories. Our library is the biggest of these that have literally hundreds of thousands of different products categories represented. You will also see that there are specific sites catered to different product types or categories, brands or niches related with Design Of Embedded Control Systems. So depending on what exactly you are searching, you will be able to choose e books to suit your own need. Need to access completely for Campbell Biology Seventh Edition book? Access Ebook without any digging. And by having access to our ebook online or by storing it on your computer, you have convenient answers with Design Of Embedded Control Systems

To get started finding Design Of Embedded Control Systems, you are right to find our website which has a comprehensive collection of books online. Our library is the biggest of these that have literally hundreds of thousands of different products represented. You will also see that there are specific sites catered to different categories or niches related with Design Of Embedded Control Systems So depending on what exactly you are searching, you will be able to choose ebook to suit your own need. Thank you for reading Design Of Embedded Control Systems. Maybe you have knowledge that, people have searched numerous times for their favorite readings like this Design Of Embedded Control Systems, but end up in harmful downloads. Rather than reading a good book with a cup of coffee in the afternoon, instead they juggled with some harmful bugs inside their laptop. Design Of Embedded Control Systems is available in our book collection an online access to it is set as public so you can download it instantly. Our digital library spans in multiple locations, allowing you to get the most less latency time to download any of our books like this one. Merely said, Design Of Embedded Control Systems is universally compatible with any devices to read.

### **Find Design Of Embedded Control Systems :**

~~strategy for Instagram theme page for stay at home parents proven~~  
~~TikTok growth strategy free templates in 2026 with low budget TikTok~~  
~~actually works affordable way to Instagram theme page with free tools~~  
~~beginner guide to starting a faceless YouTube channel for small business~~  
**channel organically without experience YouTube automation channel that**  
~~automation channel done for you services in 2026 complete beginner guide~~  
~~alternatives that actually works best way to local SEO business that~~  
~~by step guide to starting a blog organically step by step guide to~~  
~~starting a faceless YouTube channel for creators and bloggers affordable~~  
**workout routine without paid ads complete beginner guide to improving**  
**budgeting on low income organically best way to budgeting on low income**  
~~for small business owners affordable way to selling digital products for~~  
~~improve dropshipping store real income proof organically how to improve~~  
**starter kit for stay at home parents complete beginner guide to starting**  
~~to Instagram theme page for creators and bloggers affordable way to~~

## Design Of Embedded Control Systems :

**filet et macrama c manu cadets copy mucho goldenpalace** - Jul 20 2023

web 4 filet et macrama c manu cadets 2021 11 20 hand knotted pieces modern macramé is a stylish contemporary guide to the traditional art and craft of macramé including 33 projects from driftwood wall art and bohemian light fixtures to macramé rugs and headboards the projects are showcased in easy to follow and photogenic project layouts

*filet et macrama c manu cadets pdf jamestbaird com* - Nov 12 2022

web filet et macrama c manu cadets pdf when people should go to the ebook stores search start by shop shelf by shelf it is in reality problematic this is why we provide the books compilations in this website it will very ease you to see guide filet et macrama c

**filet et macramÉ manu cadets eur 16 00 picclick fr** - Mar 16 2023

web filet et macramé manu cadets eur 16 00 achat immédiat livraison gratuite 14 jour retours garantie client ebay vendeur fleur2sapience 21 269 100 lieu où se trouve ambierle fr lieu de livraison worldwide numéro de l objet 193035210251

**filet et macrama c manu cadets pdf** - Sep 10 2022

web filet et macrama c manu cadets pdf recognizing the way ways to get this books filet et macrama c manu cadets pdf is additionally useful you have remained in right site to begin getting this info acquire the filet et macrama c manu cadets pdf associate that we come up with the money for here and check out the link

**filet et macramé manu cadets by guillemette de beauvillé** - Jan 14 2023

web filet et macramé manu cadets by guillemette de beauvillé author groover sch bme hu 2023 09 11 20 52 49 subject filet et macramé manu cadets by guillemette de beauvillé keywords filet et macramé manu cadets by guillemette de beauvillé created date 9 11 2023 8 52 49 pm

download free filet et macrama c manu cadets pdf - Jun 19 2023

web filet et macrama c manu cadets pdf is approachable in our digital library an online access to it is set as public hence you can download it instantly our digital library saves in complex countries allowing you to get the most less latency epoch to

**filet et macrama c manu cadets pdf uniport edu** - Jul 08 2022

web aug 18 2023 filet et macrama c manu cadets getting the books filet et macrama c manu cadets now is not type of challenging means you could not by yourself going behind books amassing or library or borrowing from your contacts to way in them this is an unconditionally simple means to specifically acquire guide by on line this online

**filet et macrama c manu cadets uniport edu** - May 06 2022

web jun 6 2023 filet et macrama c manu cadets 1 6 downloaded from uniport edu ng on june 6 2023 by guest filet et macrama c manu cadets getting the books filet et macrama c manu cadets now is not type of challenging means you could

not forlorn going similar to book growth or library or borrowing from your links to read them this is an very

*filet et macramé manu cadets by guillemette de beauvillé* - Aug 09 2022

web sep 5 2023 *filet et macramé manu cadets by guillemette de beauvillé* author tug do nlnetlabs nl 2023 09 05 07 59 18

subject *filet et macramé manu cadets by guillemette de beauvillé* keywords *filet et macramé manu cadets by guillemette de beauvillé* created date 9 5 2023

*filet et macramé manu cadets paperback amazon com* - Aug 21 2023

web *filet et macramé manu cadets on amazon com free shipping on qualifying offers* *filet et macramé manu cadets*

*filet et macramé manu cadets by guillemette de beauvillé* - Feb 15 2023

web workplace *filet et macramé manu cadets by guillemette de beauvillé* is obtainable in our publication accumulation an

online access to it is set as public so you can get it immediately thanks for acquiring *filet et macramé manu cadets by*

*guillemette de beauvillé* you cannot be baffled to enjoy every book gatherings *filet et macramé manu*

**quelle est la différence entre un magret et un filet de canard** - Apr 05 2022

web même s il s agit bien du même morceau de la poitrine de canard les deux sont différents le magret quant à lui provient d

un canard gras élevé pour la production de foie gras notamment sa viande est plus tendre et son goût est plus prononcé ce

qui le rend unique

**filet et macrama c manu cadets vpn bethnalgreenventures** - Oct 11 2022

web *filet et macrama c manu cadets 3 3 story of pasteur* is a vivid description of an ap proach to science whose theoretical

implications go far beyond a particular case study in the second part of the book irreduc tions latour sets out his notion of the

dynamics of conflict and interaction of the relation of forces la

**filet et macrama c manu cadets ftp adaircountymissouri** - Mar 04 2022

web *filet et macrama c manu cadets* downloaded from ftp adaircountymissouri com by guest lia neil member s handbook r r

bowker create sensational crochet throws and accessories with this indispensable guide to mosaic crochet mosaic crochet is

a cutting edge technique that allows you to work two colour patterns without

*filet et macramé manu cadets by guillemette de beauvillé* - Feb 03 2022

web the factors by securing the digital documents of this *filet et macramé manu cadets by guillemette de beauvillé* by online

in the trajectory of them is this *filet et macramé manu cadets by guillemette de beauvillé* that can be your partner by looking

the title publisher or authors of manual you in actually want you can find them speedily

*filet et macrama c manu cadets sam arabtravelers* - Jun 07 2022

web *filet et macrama c manu cadets 3 3* itself the slender volume presents the fundamental stitches for needlecraft in simple

easy to follow color illustrations the encyclopedic dip in dip out approach is well suited for beginners looking to build a

foundation of stitch techniques as well as seasoned crafters who will love keeping these handsome

**İtÜ akademİ arař gör mahmut can eyüp** - Dec 13 2022

web İtÜ akademİ arař gör mahmut can eyüp arař gör mahmut can eyüp Çalıřma alanları diřli Çark mekanizmaları konstrüksiyon ve İmalat makine tasarımı ve makine elemanları eđitim durumu

*filet et macrama c manu cadets download only monograf* - May 18 2023

web harmful virus inside their computer filet et macrama c manu cadets is simple in our digital library an online right of entry to it is set as public correspondingly you can download it instantly our digital library saves in combination countries allowing you to get the most less latency period to download any of our books gone this one

**filet et macrame manu cadets collectif amazon de** - Apr 17 2023

web filet et macrame manu cadets collectif isbn 9782249223099 kostenloser versand für alle bücher mit versand und verkauf duch amazon

*filet et macrama c manu cadets pdf copy pod kylemcdonald* - Sep 22 2023

web filet et macrama c manu cadets pdf upload donald k williamson 2 6 downloaded from pod kylemcdonald net on october 3 2023 by donald k williamson thomas paine 1826 buyology martin lindstrom 2010 02 02 new york times bestseller a fascinating look at how consumers perceive logos ads commercials brands and

**gv all périgord dordogne by banpaen** - Apr 21 2022

web jun 3 2023 gv all périgord dordogne by c est seulement en 1824 que stephenson construit ses premi res lootives c est en 1836 que le convertisseur bessemer apporte la

**gv all périgord dordogne by rhur impacthub net** - Jul 05 2023

web sep 7 2023 gv all périgord dordogne by full text of nouveau manuel de bibliographie universelle full text of oeuvres pltes de eustache deschamps pub full text of

*gv all périgord dordogne by banpaen* - Sep 07 2023

web jun 11 2023 this gv all périgord dordogne by as one of the predominant operating sellers here will thoroughly be paired with by the best alternatives to review as noted

**gv all pa c rigord dordogne 2022 jda cqa4 e4score** - Sep 26 2022

web gv all pa c rigord dordogne 3 3 bibliographical references pages 245 264 and index blessing the world cambridge university press this book first published in 2000

**gv all périgord dordogne by bueng** - Aug 26 2022

web handbook gv all périgord dordogne by this gv all périgord dordogne by as one of the predominant running sellers here will thoroughly be associated with by the

*gv all périgord dordogne by top ic edu - Jun 23 2022*

web jun 21 2023 later this gv all périgord dordogne by but end up in detrimental downloads why dont you strive to get something basic in the start this is also one of the aspects

**gv all périgord dordogne by secure4 khronos - Oct 08 2023**

web jun 12 2023 we remunerate for gv all périgord dordogne by and abundant books collections from fictions to scientific explorationh in any way this is why we offer the

*gv all périgord dordogne by test reportandsupport gold ac - Oct 28 2022*

web this gv all périgord dordogne by as one of the majority operating sellers here will completely be joined by the best selections to review finally you will definitively find a

*gv all périgord dordogne by assets docseducation - May 23 2022*

web gv all périgord dordogne by thiviers négrondes e ac qu es on Évê e g a u l t g a s c âte ux st mariens st 6 és du rigord à partir tibles siorac en nt être postérieurs ta pa

gv all pa c rigord dordogne alexandre dumas copy - Apr 02 2023

web guides you could enjoy now is gv all pa c rigord dordogne below tsotsi athol fugard 2006 in the johannesburg township of soweto a young black gangster in south africa

gv all périgord dordogne by southgloucestershireccg nhs - Dec 18 2021

web gv all périgord dordogne by brantme pierre de bourdeille abb de lalanne ludovic 6820a location de logements entreprises full text of annales historiques de la rvolution

**gv all pa c rigord dordogne help environment harvard edu - Mar 01 2023**

web gv all pa c rigord dordogne getting the books gv all pa c rigord dordogne now is not type of challenging means you could not lonesome going later than ebook amassing or

gv all périgord dordogne by speakings gestamp - Nov 28 2022

web jun 16 2023 gv all périgord dordogne by what you alike to read this is likewise one of the variables by procuring the electronic files of this gv all périgord dordogne by by online

**gv all périgord dordogne by avvu com tr - Feb 17 2022**

web jun 5 2023 gv all périgord dordogne by gv all périgord dordogne by guydepernon 0 916 026 81 federal council sedna rss pyrat net cration de sites internet 31 full text

gv all périgord dordogne by graphscan cookiefirst - Jul 25 2022

web jun 6 2023 get the gv all périgord dordogne by join that we have the money for here and check out the link rather than delighting a good publication with a cup of

[gv all périgord dordogne by graphscan cookiefirst](#) - Mar 21 2022

web gv all périgord dordogne by biblioteca en línea materiales de aprendizaje gratuitos anlage c für die ausstellung des pflanzenpasses zuständige amtliche stelle

**gv all pa c rigord dordogne introduction gv all pa c rigord** - Jun 04 2023

web list of file gv all pa c rigord dordogne page title 1 professional review guide for the ccs p examination sample 2016 all edition book only 2 registered health c

**gv all périgord dordogne by lp docseducation** - Jan 19 2022

web may 25 2023 gloor anschliessend gv mit snacks und getränken exkursionen zweitägige exkursion randen hegnau samstag 465 gites dordogne ¼nfläche von ha am rande

[gv all pa c rigord dordogne pdf yvc moeys gov](#) - May 03 2023

web gv all pa c rigord dordogne 2 4 map index pdf public we appreciate your support of the preservation process and thank you for being an important part of keeping this

[gv all pa c rigord dordogne pdf test prconvention](#) - Dec 30 2022

web of our books behind this one merely said the gv all pa c rigord dordogne is universally compatible later any devices to read gv all pa c rigord dordogne 2019 07 18

[gv all périgord dordogne by avvu com tr](#) - Aug 06 2023

web jun 10 2023 gv all périgord dordogne by gv all périgord dordogne by legicopybodacc ebodacc a 20150070 0001 p000 en 2015 0 916 026 81 federal

**gv all périgord dordogne by** - Nov 16 2021

web may 20 2023 gv all périgord dordogne by gv all périgord dordogne by guydepernon full text of nouveau manuel de bibliographie universelle full text of essais historiques

[gv all pa c rigord dordogne uniport edu](#) - Jan 31 2023

web apr 29 2023 gv all pa c rigord dordogne 2 6 downloaded from uniport edu ng on april 29 2023 by guest two cultures one male dominated and one egalitarian where the roles

*category paintings by giovanni battista tiepolo* [wikimedia](#) - Jul 07 2022

web jun 22 2019 help category paintings by giovanni battista tiepolo from wikimedia commons the free media repository subcategories this category has the following 13 subcategories out of 13 total paintings by giovanni battista tiepolo by

country 5 c paintings by giovanni battista tiepolo by museum 130 c

*giambattista tiepolo the art institute of chicago* - Jun 18 2023

web giambattista tiepolo was one of the most significant venetian painters draftsmen and printmakers of the 18th century

founder and head of a successful family workshop tiepolo s activity ranged from grand scale wall frescoes to religious and secular paintings on canvas to works in the more intimate mediums of etching and drawing

**giovanni battista tiepolo italian baroque painter fresco artist** - May 17 2023

web giovanni battista tiepolo great italian painter of the 18th century his luminous poetic frescoes while extending the tradition of baroque ceiling decoration epitomize the lightness and elegance of the rococo period tiepolo s father who had been engaged in the shipping business died in 1697

**giovanni battista tiepolo bacchus and ariadne the** - Sep 09 2022

web giambattista tiepolo was arguably the greatest painter of eighteenth century europe celebrated for his grand decorative cycles in venetian churches and in the villas and palaces of italy germany and spain tiepolo was equally prized as a draftsman his powers of invention brilliant and prolific

category giovanni battista tiepolo wikimedia commons - Jan 01 2022

web nov 1 2022 help category giovanni battista tiepolo from wikimedia commons the free media repository subcategories this category has the following 10 subcategories out of 10 total drawings by giovanni battista tiepolo 1 c 40 f paintings by giovanni battista tiepolo 12 c 1 p 115 f prints by giovanni battista tiepolo 2 c 4 f c

*giovanni battista tiepolo 131 artworks painting wikiart org* - Jul 19 2023

web giovanni battista tiepolo italian pronunciation dʒo'vanni bat'tista 'tʃe:polo march 5 1696 march 27 1770 also known as gianbattista or giambattista tiepolo was an italian painter and printmaker from the republic of venice

**giovanni battista tiepolo the metropolitan museum of art** - Dec 12 2022

web overview catalogue entry provenance exhibition history references notes loan restrictions title the flight into egypt artist giovanni battista tiepolo italian venice 1696 1770 madrid date ca 1767 70 medium oil on canvas dimensions 23 5 8 16 1 4 in 60 41 3 cm classification paintings

the death of hyacinthus tiepolo giambattista museo nacional - Feb 02 2022

web the death of hyacinthus tiepolo giambattista museo nacional thyssen bornemisza collection exhibitions activities education this large canvas dates from the period when tiepolo was working in würzburg it was first attributed to the artist by sack in 1910

**giovanni battista tiepolo national gallery of art** - Jan 13 2023

web born in venice in 1696 to a prosperous merchant giovanni battista giambattista tiepolo chose to pursue a career in painting he was taught by gregorio lazzarini 1655 1730 studying under him probably c 1710 in 1717 he was inscribed in the venetian painters guild as an independent painter

*the banquet of cleopatra giambattista tiepolo google arts* - May 05 2022

web mar 27 2023 details title the banquet of cleopatra creator giambattista tiepolo creator lifespan 05 march 1696 27 march 1770 creator nationality italian creator gender male creator death place

[giovanni battista tiepolo 1696 1770 the metropolitan](#) - Apr 16 2023

web department of european paintings the metropolitan museum of art october 2003 the venetian giovanni battista tiepolo 1696 1770 was arguably the greatest painter of eighteenth century europe and the outstanding first master of the grand manner

**tiepolo paintings bio ideas theartstory** - Mar 15 2023

web summary of giambattista tiepolo the great 18 th century venetian painter tiepolo ranks as the supreme exponent of the ornamental and asymmetrical italian rococo style tiepolo is thus associated with decorative airy frescoes that displayed a partiality for pastel shades and sumptuous costumes

**the immaculate conception tiepolo wikipedia** - Apr 04 2022

web the immaculate conception is a painting by italian painter giovanni battista tiepolo 1696 1770 the painting was one of seven altarpieces commissioned in march 1767 from tiepolo by king charles iii of spain for the church

**giovanni battista tiepolo the metropolitan museum of art** - Jun 06 2022

web giambattista tiepolo nel terzo centenario della nascita ed lionello puppi padua 1998 vol 1 pp 267 270 proposes a new allegorical reading of the dolfin cycle on the basis of a re examination of florus and livy identifying this painting as the proud counsel of the defeated jugurtha believes the roman victories are primarily exempla

**the banquet of cleopatra tiepolo wikipedia** - Nov 30 2021

web type oil paint on canvas dimensions 250 3 by 357 centimetres 98 5 in 140 6 in location national gallery of victoria melbourne the banquet of cleopatra is a painting by giovanni battista tiepolo completed in 1744 1 it is now in the national gallery of victoria in melbourne australia 2 3

[giovanni battista tiepolo wikipedia](#) - Sep 21 2023

web giovanni battista tiepolo t i ' ε p ə l oʊ tee ep ə loh italian dʒo'vanni bat'tista 'tje:polo 'tje: 5 march 1696 27 march 1770 also known as giambattista or gianbattista tiepolo was an italian painter and printmaker from the republic of venice who painted in the rococo style considered an important member of

**giovanni battista tiepolo wikimedia commons** - Oct 10 2022

web may 28 2023 giovanni battista tiepolo march 5 1696 march 27 1770 was a venetian painter his work was strongly influenced by the venetian artist paolo veronese in 1721 tiepolo married maria cecilia guardi sister of the venetian painters francesco guardi and giovanni antonio guardi by whom he had ten children

[works ngv view work](#) - Oct 30 2021

web giambattista tiepolo the banquet of cleopatra 1743 1744 oil on canvas 250 3 357 0 cm national gallery of victoria melbourne felton bequest 1933 photo national gallery of victoria melbourne

[giambattista tiepolo wikipedia](#) - Nov 11 2022

web giambattista tiepolo o giovanni battista o zuan batista venezia 5 marzo 1696 madrid 27 marzo 1770 è stato un pittore e incisore italiano cittadino della repubblica di venezia È il maggior pittore del settecento veneziano tra i suoi figli vi furono i pittori giandomenico e lorenzo tiepolo

**giovanni battista tiepolo the metropolitan museum of art** - Mar 03 2022

web giovanni battista tiepolo die fresken in der residenz zu würzburg würzburg 1980 pp 64 94 97 98 100 106 109 10 118 120 21 ill p 68 george knox giambattista and domenico tiepolo a study and catalogue raisonné of the chalk drawings oxford 1980 vol 1 p 44 michael levey giambattista tiepolo his life and art new

[giovanni battista tiepolo 1696 1770 national gallery london](#) - Feb 14 2023

web giovanni battista tiepolo a venetian was the greatest italian rococo painter although his style was founded on the grand manner of the high renaissance his imaginative decorative frescoes are light in colour and airy in feel the national gallery s allegory with venus and time was part of a ceiling decoration and is similarly light and airy

**the immaculate conception museo nacional del prado** - Aug 08 2022

web giambattista tiepolo s the immaculate conception 1767 69 was placed to the left of the high altar with his saint francis receiving the stigmata 1767 69 museo del prado as its pendant on the right and saint pascual bailón adoring a vision of the eucharist 1767 69 two fragments in the museo del prado on the high altar itself

**giovanni battista tiepolo wikipe**di - Aug 20 2023

web giovanni battista tiepolo bilinen diğer adlarıyla gianbattista veya giambattista tiepolo 5 mart 1696 27 mart 1770 venedikli ressam ve baskı sanatçısıydı tiepolo venedikli fresk ressamlarının son büyük ustası olarak gösterilir