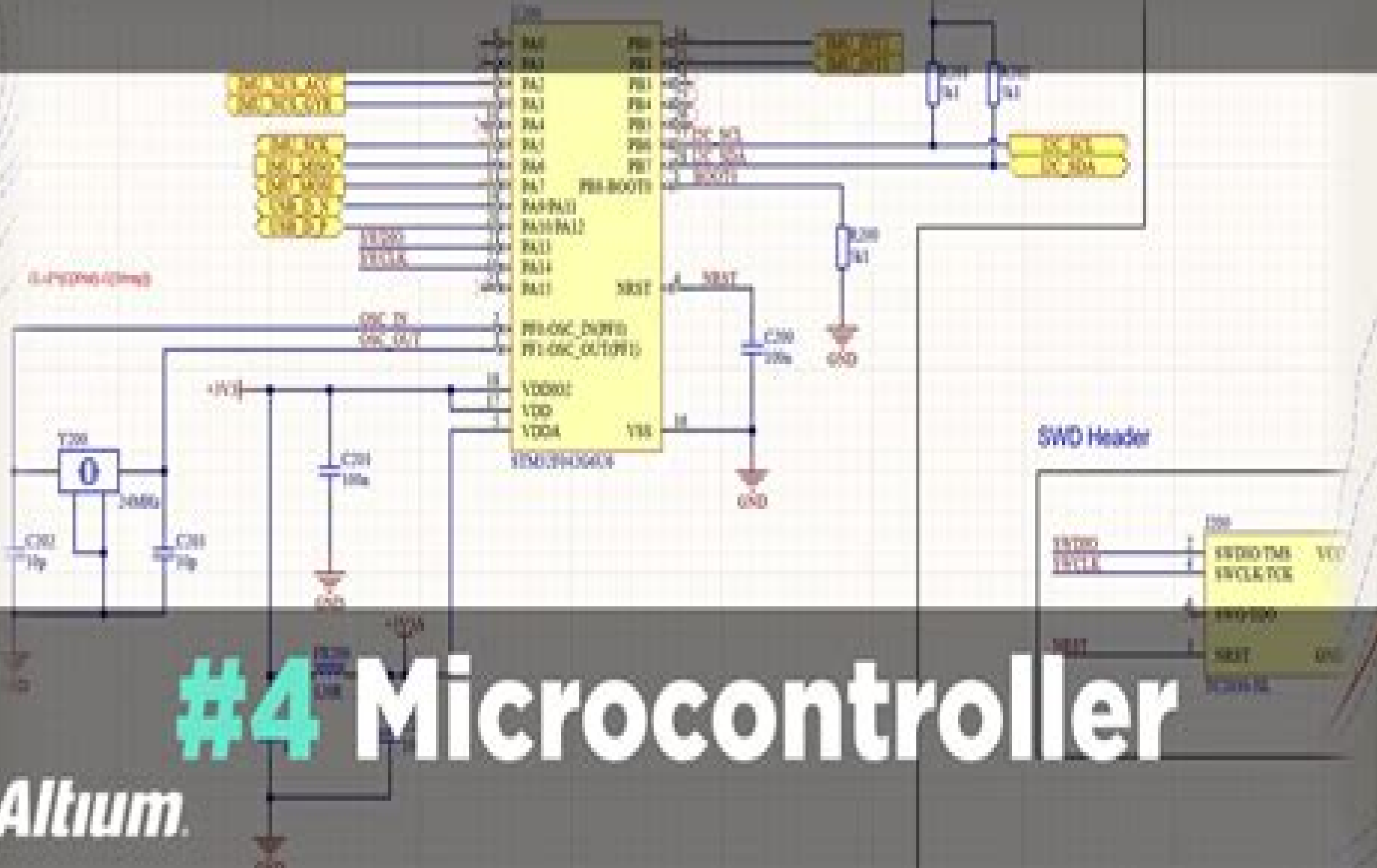


MCU HARDWARE DESIGN



#4 Microcontroller

Altium

Design With Microcontrol

L Reisser



Design With Microcontrol:

The Captivating World of E-book Books: A Detailed Guide Unveiling the Pros of Kindle Books: A World of Ease and Versatility

E-book books, with their inherent mobility and ease of access, have freed readers from the limitations of hardcopy books. Gone are the days of lugging bulky novels or meticulously searching for specific titles in shops. E-book devices, stylish and portable, effortlessly store an wide library of books, allowing readers to immerse in their favorite reads whenever, anywhere. Whether commuting on a bustling train, lounging on a sunny beach, or simply cozying up in bed, E-book books provide an unparalleled level of ease.

A Literary Universe Unfolded: Exploring the Vast Array of E-book Design With Microcontrol

Design With Microcontrol The E-book Store, a digital treasure trove of literary gems, boasts an wide collection of books spanning varied genres, catering to every readers preference and choice. From captivating fiction and mind-stimulating non-fiction to classic classics and modern bestsellers, the Kindle Store offers an exceptional abundance of titles to discover.

Whether looking for escape through immersive tales of fantasy and exploration, delving into the depths of historical narratives, or broadening ones understanding with insightful works of scientific and philosophy, the E-book Shop provides a gateway to a bookish world brimming with endless possibilities.

A Revolutionary Factor in the Literary Landscape: The Persistent Influence of E-book Books Design With Microcontrol

The advent of E-book books has unquestionably reshaped the literary scene, introducing a model shift in the way books are published, disseminated, and consumed. Traditional publication houses have embraced the digital revolution, adapting their strategies to accommodate the growing demand for e-books. This has led to a surge in the availability of Kindle titles, ensuring that readers have access to a wide array of bookish works at their fingertips. Moreover, E-book books have equalized entry to literature, breaking down geographical barriers and offering readers worldwide with similar opportunities to engage with the written word. Irrespective of their location or socioeconomic background, individuals can now immerse themselves in the intriguing world of books, fostering a global community of readers.

Conclusion: Embracing the E-book Experience Design With Microcontrol

E-book books Design With Microcontrol, with their inherent convenience, versatility, and vast array of titles, have undoubtedly transformed the way we encounter literature. They offer readers the liberty to explore the limitless realm of written expression, whenever, everywhere. As we continue to travel the ever-evolving online landscape, E-book books stand as testament to the persistent power of storytelling, ensuring that the joy of reading remains accessible to all.

https://enterpriseenrollment.cruiselady.com/About/detail/fetch.php/Budget_Deficits_And_Economic_Activity_In_Asia.pdf

Table of Contents Design With Microcontrol

1. Understanding the eBook Design With Microcontrol
 - The Rise of Digital Reading Design With Microcontrol
 - Advantages of eBooks Over Traditional Books
2. Identifying Design With Microcontrol
 - Exploring Different Genres
 - Considering Fiction vs. Non-Fiction
 - Determining Your Reading Goals
3. Choosing the Right eBook Platform
 - Popular eBook Platforms
 - Features to Look for in an Design With Microcontrol
 - User-Friendly Interface
4. Exploring eBook Recommendations from Design With Microcontrol
 - Personalized Recommendations
 - Design With Microcontrol User Reviews and Ratings
 - Design With Microcontrol and Bestseller Lists
5. Accessing Design With Microcontrol Free and Paid eBooks
 - Design With Microcontrol Public Domain eBooks
 - Design With Microcontrol eBook Subscription Services
 - Design With Microcontrol Budget-Friendly Options
6. Navigating Design With Microcontrol eBook Formats
 - ePub, PDF, MOBI, and More
 - Design With Microcontrol Compatibility with Devices
 - Design With Microcontrol Enhanced eBook Features
7. Enhancing Your Reading Experience
 - Adjustable Fonts and Text Sizes of Design With Microcontrol
 - Highlighting and Note-Taking Design With Microcontrol
 - Interactive Elements Design With Microcontrol
8. Staying Engaged with Design With Microcontrol

- Joining Online Reading Communities
 - Participating in Virtual Book Clubs
 - Following Authors and Publishers Design With Microcontrol
9. Balancing eBooks and Physical Books Design With Microcontrol
 - Benefits of a Digital Library
 - Creating a Diverse Reading Collection Design With Microcontrol
 10. Overcoming Reading Challenges
 - Dealing with Digital Eye Strain
 - Minimizing Distractions
 - Managing Screen Time
 11. Cultivating a Reading Routine Design With Microcontrol
 - Setting Reading Goals Design With Microcontrol
 - Carving Out Dedicated Reading Time
 12. Sourcing Reliable Information of Design With Microcontrol
 - Fact-Checking eBook Content of Design With Microcontrol
 - Distinguishing Credible Sources
 13. Promoting Lifelong Learning
 - Utilizing eBooks for Skill Development
 - Exploring Educational eBooks
 14. Embracing eBook Trends
 - Integration of Multimedia Elements
 - Interactive and Gamified eBooks

Design With Microcontrol Introduction

In this digital age, the convenience of accessing information at our fingertips has become a necessity. Whether its research papers, eBooks, or user manuals, PDF files have become the preferred format for sharing and reading documents. However, the cost associated with purchasing PDF files can sometimes be a barrier for many individuals and organizations. Thankfully, there are numerous websites and platforms that allow users to download free PDF files legally. In this article, we will explore some of the best platforms to download free PDFs. One of the most popular platforms to download free PDF files is Project Gutenberg. This online library offers over 60,000 free eBooks that are in the public domain. From classic literature to

historical documents, Project Gutenberg provides a wide range of PDF files that can be downloaded and enjoyed on various devices. The website is user-friendly and allows users to search for specific titles or browse through different categories. Another reliable platform for downloading Design With Microcontrol free PDF files is Open Library. With its vast collection of over 1 million eBooks, Open Library has something for every reader. The website offers a seamless experience by providing options to borrow or download PDF files. Users simply need to create a free account to access this treasure trove of knowledge. Open Library also allows users to contribute by uploading and sharing their own PDF files, making it a collaborative platform for book enthusiasts. For those interested in academic resources, there are websites dedicated to providing free PDFs of research papers and scientific articles. One such website is Academia.edu, which allows researchers and scholars to share their work with a global audience. Users can download PDF files of research papers, theses, and dissertations covering a wide range of subjects. Academia.edu also provides a platform for discussions and networking within the academic community. When it comes to downloading Design With Microcontrol free PDF files of magazines, brochures, and catalogs, Issuu is a popular choice. This digital publishing platform hosts a vast collection of publications from around the world. Users can search for specific titles or explore various categories and genres. Issuu offers a seamless reading experience with its user-friendly interface and allows users to download PDF files for offline reading. Apart from dedicated platforms, search engines also play a crucial role in finding free PDF files. Google, for instance, has an advanced search feature that allows users to filter results by file type. By specifying the file type as "PDF," users can find websites that offer free PDF downloads on a specific topic. While downloading Design With Microcontrol free PDF files is convenient, it is important to note that copyright laws must be respected. Always ensure that the PDF files you download are legally available for free. Many authors and publishers voluntarily provide free PDF versions of their work, but it is essential to be cautious and verify the authenticity of the source before downloading Design With Microcontrol. In conclusion, the internet offers numerous platforms and websites that allow users to download free PDF files legally. Whether it is classic literature, research papers, or magazines, there is something for everyone. The platforms mentioned in this article, such as Project Gutenberg, Open Library, Academia.edu, and Issuu, provide access to a vast collection of PDF files. However, users should always be cautious and verify the legality of the source before downloading Design With Microcontrol any PDF files. With these platforms, the world of PDF downloads is just a click away.

FAQs About Design With Microcontrol Books

1. Where can I buy Design With Microcontrol books? Bookstores: Physical bookstores like Barnes & Noble, Waterstones,

- and independent local stores. Online Retailers: Amazon, Book Depository, and various online bookstores offer a wide range of books in physical and digital formats.
2. What are the different book formats available? Hardcover: Sturdy and durable, usually more expensive. Paperback: Cheaper, lighter, and more portable than hardcovers. E-books: Digital books available for e-readers like Kindle or software like Apple Books, Kindle, and Google Play Books.
 3. How do I choose a Design With Microcontrol book to read? Genres: Consider the genre you enjoy (fiction, non-fiction, mystery, sci-fi, etc.). Recommendations: Ask friends, join book clubs, or explore online reviews and recommendations. Author: If you like a particular author, you might enjoy more of their work.
 4. How do I take care of Design With Microcontrol books? Storage: Keep them away from direct sunlight and in a dry environment. Handling: Avoid folding pages, use bookmarks, and handle them with clean hands. Cleaning: Gently dust the covers and pages occasionally.
 5. Can I borrow books without buying them? Public Libraries: Local libraries offer a wide range of books for borrowing. Book Swaps: Community book exchanges or online platforms where people exchange books.
 6. How can I track my reading progress or manage my book collection? Book Tracking Apps: Goodreads, LibraryThing, and Book Catalogue are popular apps for tracking your reading progress and managing book collections. Spreadsheets: You can create your own spreadsheet to track books read, ratings, and other details.
 7. What are Design With Microcontrol audiobooks, and where can I find them? Audiobooks: Audio recordings of books, perfect for listening while commuting or multitasking. Platforms: Audible, LibriVox, and Google Play Books offer a wide selection of audiobooks.
 8. How do I support authors or the book industry? Buy Books: Purchase books from authors or independent bookstores. Reviews: Leave reviews on platforms like Goodreads or Amazon. Promotion: Share your favorite books on social media or recommend them to friends.
 9. Are there book clubs or reading communities I can join? Local Clubs: Check for local book clubs in libraries or community centers. Online Communities: Platforms like Goodreads have virtual book clubs and discussion groups.
 10. Can I read Design With Microcontrol books for free? Public Domain Books: Many classic books are available for free as they're in the public domain. Free E-books: Some websites offer free e-books legally, like Project Gutenberg or Open Library.

Find Design With Microcontrol :

[budget deficits and economic activity in asia](#)

building for tomorrow

building churches of dynamic faith

[building reading skills level 4 comprehension skills](#)

building structures 2e + interactive structures dvd-rom set

building profits through organizational change

[buddhist translations problems and perspectives](#)

[budgies as a new pet](#)

[building solutions with microsoft commerce server 2002](#)

[bugling for elk a complete guide to earlyseason elk hunting](#)

building ole applications with visual basic

[bug park](#)

building active listening skills

~~building selfesteem strategies for success in school and beyond~~

[building blocks of life; proteins vitamins and hormones seen through the microscope](#)

Design With Microcontrol :

FREE California CDL Practice Test 2024 Each of our 50 multiple-choice questions is based on the California Commercial Drivers Handbook and applicable California laws. ... DMV Study Guide · DMV Practice ... Sample Commercial Drivers Written Test 2 Sample Commercial Drivers Written Test 2 · 1. You are about to go down a long, steep, downhill grade in a newer truck. · 2. Which of these items is checked in a ... Sample Commercial Drivers Written Test 1 Sample Commercial Drivers Written Test 1 · 1. A pre-trip inspection should be completed: * Required · 2. What should you do when you are driving at night? · 3. Best way to study for the CDL permit test? : r/Truckers Your State should have a CDL test prep book. Also download the app “DMV Genie” and do the practice tests. If you have the 10 bucks, buy the app, ... California CDL Handbook 2024 Master your CA CDL test with our interactive study guide. Learn on the go with audio or get tailored support from our AI chat. Start your CDL prep now! CA CDL Practice Test (2023) - FREE CDL Knowledge Test Practice for your California CDL test. Real CDL general knowledge test questions, 100% free. Get your commercial driver's license, take your CA CDL practice ... California CDL Practice Test Preparation Our CA CDL test questions and answers cover everything you'll need to

be thoroughly prepared when you go and take the real exams. These tests are in Classic, ... CALIFORNIA CDL TEST PREP STUDY GUIDE CALIFORNIA CDL TEST PREP STUDY GUIDE: contains over 400 practice test questions and answers [Markbrown, Johnson .T] on Amazon.com. California DMV CDL Practice Test (CA) # 3 | Class B License Nail the Class B commercial license test with our California CDL practice test, FREE! Better than the book, DMV answers for general knowledge & air brakes! Psychology: Themes and Variations, 9th Edition The text continues to provide a unique survey of psychology that meets three goals: to demonstrate the unity and diversity of psychology's subject matter, to ... Psychology: Themes and Variations, 9th edition A trained social psychologist with a very strong quantitative background, his primary area of research is stress and health psychology. Weiten has also ... Psychology: Themes and Variations, 9th ed. Professional Specialties in Psychology. Seven Unifying Themes. Themes Related to Psychology as a Field of Study. Themes Related to Psychology's Subject Matter. Psychology Themes and Variations 9th Ed By Wayen Weiten.pdf Weiten has conducted research on a wide range of topics, including educational measure- ment, jury decision making, attribution theory, pres- sure as a form of ... Psychology: Themes and Variations, 9th Edition - Hardcover The text continues to provide a unique survey of psychology that meets three goals: to demonstrate the unity and diversity of psychology's subject matter, to ... Psychology : THEMES AND VARIATIONS "Weiten's PSYCHOLOGY: THEMES AND VARIATIONS, Ninth Edition, maintains this book's strengths while addressing market changes with new learning objectives, ... 9781111354749 | Psychology Themes and Variations Jan 1, 2012 — Weiten's PSYCHOLOGY: THEMES AND VARIATIONS, Ninth Edition maintains this book's strengths while addressing market changes with new learning ... Psychology Themes and Variations 9th Edition Wayne ... Psychology Themes and Variations 9th Edition Wayne Weiten Solutions Manual - Free download as PDF File (.pdf), Text File (.txt) or read online for free. Psychology: Themes and Variations, 9th edition - Hardcover Psychology: Themes and Variations, 9th edition - ISBN 10: 1111837503 - ISBN 13: 9781111837501 - Cengage Learning, Inc - 2012 - Hardcover. Test Bank For Psychology Themes and Variations Version 9th ... Macroeconomics by Colander, David C. - 7th Edition The seventh edition has been significantly revised to make it simpler, shorter, more organized and more applicable to the real world. By David C. Colander - Economics: 7th (Seventh) ... By David C. Colander - Economics: 7th (Seventh) Edition. 4.0 4.0 out of 5 stars 8 Reviews. By David C. Colander - Economics: 7th (Seventh) Edition. David Colander | Get Textbooks Macroeconomics Study Guide(7th Edition) by David Colander, Douglas Copeland, Jenifer Gamber, John S. Irons Paperback, 320 Pages, Published 2007 by Mcgraw ... Macroeconomics - 7th Edition - David C. Colander Title, Macroeconomics - 7th Edition. Author, David C. Colander. Published, 2008. ISBN, 0077365984, 9780077365981. Export Citation, BiBTex EndNote RefMan ... COLANDER | Get Textbooks Macroeconomics(7th Edition) by David Colander Paperback, 576 Pages, Published 2007 by Mcgraw-Hill/Irwin ISBN-13: 978-0-07-334366-2, ISBN: 0-07-334366-8 ... Macroeconomics Study Guide by Colander, David ... Find the best prices on Macroeconomics Study Guide by Colander, David C. at BIBLIO | Paperback | 2007 | McGraw-Hill/Irwin | 7th Edition |

9780073343723. David Colander Other Books. MICROECONOMICS, 7th ed. (2008) by David Colander. Written in an informal colloquial style, this student-friendly Principles of Economics textbook ... Macroeconomics by David Colander Sep 1, 1993 — Colander emphasizes the intellectual and historical context to which the economic models are applied. The seventh edition has been ... Macroeconomics by David C. Colander (2007, Trade ... Product Information. Written in an informal colloquial style, this student-friendly Principles of Macroeconomics textbook does not sacrifice intellectual ...