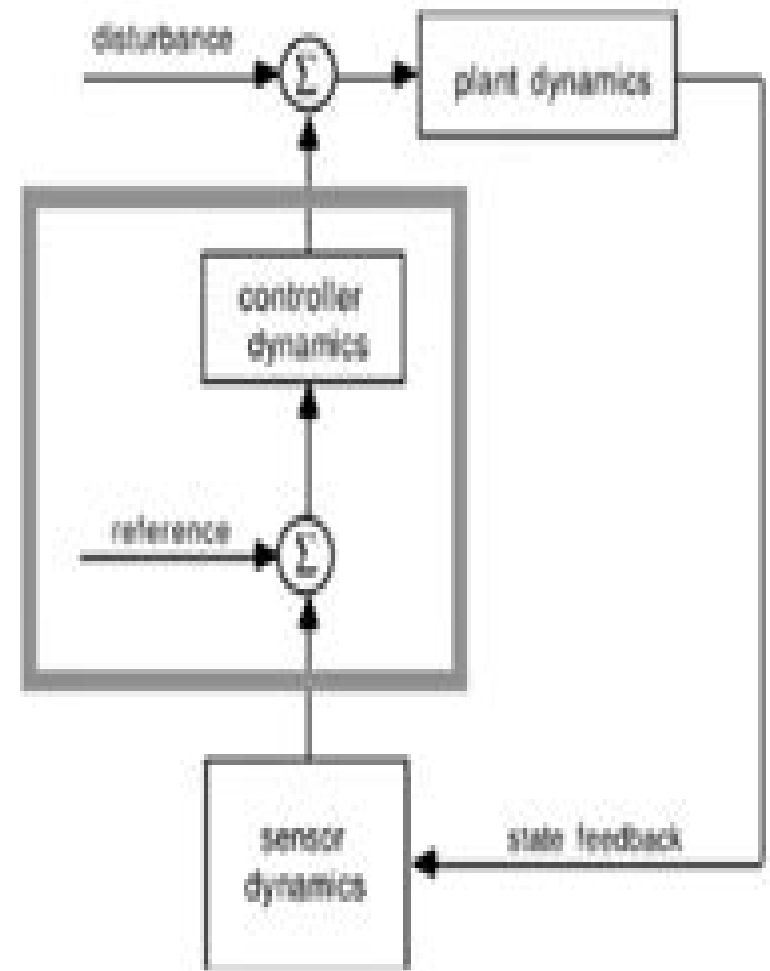
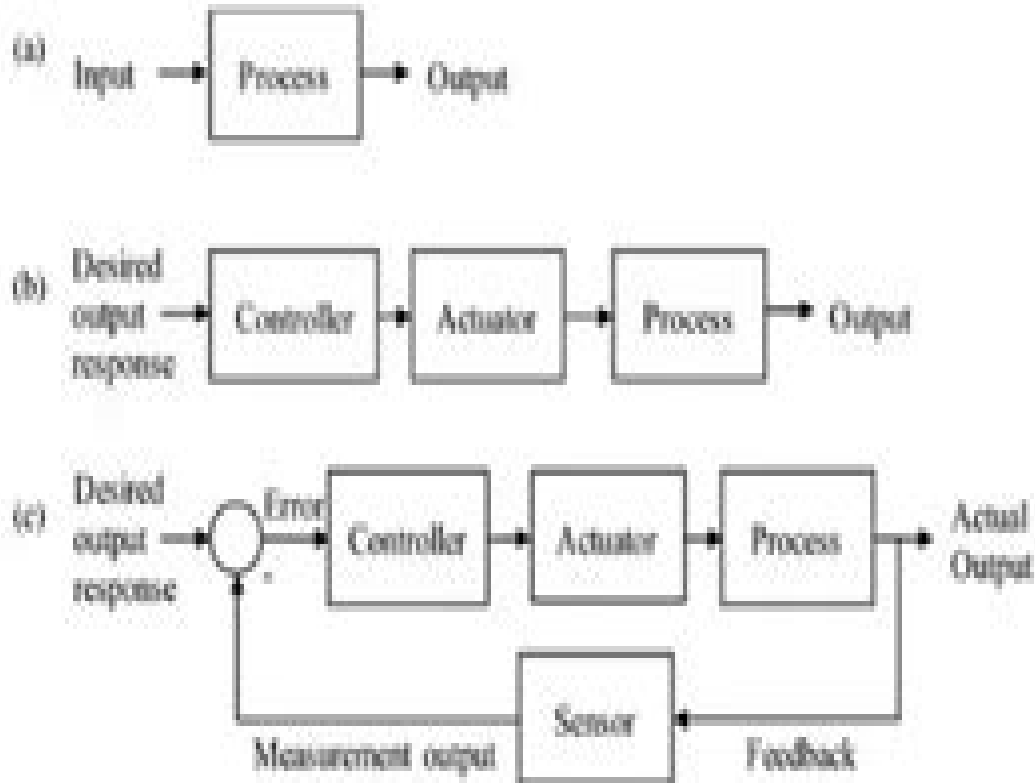


# What is Control Engineering?



Electrical 4 U

# Control Systems Engineering

**M Lipman**



## **Control Systems Engineering:**

If you ally need such a referred **Control Systems Engineering** books that will provide you worth, acquire the unconditionally best seller from us currently from several preferred authors. If you desire to droll books, lots of novels, tale, jokes, and more fictions collections are also launched, from best seller to one of the most current released.

You may not be perplexed to enjoy all book collections Control Systems Engineering that we will definitely offer. It is not in the region of the costs. Its virtually what you habit currently. This Control Systems Engineering, as one of the most full of life sellers here will agreed be among the best options to review.

[https://enterpriseenrollment.cruiselady.com/files/scholarship/default.aspx/Diophantische\\_Approximationen.pdf](https://enterpriseenrollment.cruiselady.com/files/scholarship/default.aspx/Diophantische_Approximationen.pdf)

## **Table of Contents Control Systems Engineering**

1. Understanding the eBook Control Systems Engineering
  - The Rise of Digital Reading Control Systems Engineering
  - Advantages of eBooks Over Traditional Books
2. Identifying Control Systems Engineering
  - Exploring Different Genres
  - Considering Fiction vs. Non-Fiction
  - Determining Your Reading Goals
3. Choosing the Right eBook Platform
  - Popular eBook Platforms
  - Features to Look for in an Control Systems Engineering
  - User-Friendly Interface
4. Exploring eBook Recommendations from Control Systems Engineering
  - Personalized Recommendations
  - Control Systems Engineering User Reviews and Ratings
  - Control Systems Engineering and Bestseller Lists
5. Accessing Control Systems Engineering Free and Paid eBooks

- Control Systems Engineering Public Domain eBooks
  - Control Systems Engineering eBook Subscription Services
  - Control Systems Engineering Budget-Friendly Options
6. Navigating Control Systems Engineering eBook Formats
    - ePub, PDF, MOBI, and More
    - Control Systems Engineering Compatibility with Devices
    - Control Systems Engineering Enhanced eBook Features
  7. Enhancing Your Reading Experience
    - Adjustable Fonts and Text Sizes of Control Systems Engineering
    - Highlighting and Note-Taking Control Systems Engineering
    - Interactive Elements Control Systems Engineering
  8. Staying Engaged with Control Systems Engineering
    - Joining Online Reading Communities
    - Participating in Virtual Book Clubs
    - Following Authors and Publishers Control Systems Engineering
  9. Balancing eBooks and Physical Books Control Systems Engineering
    - Benefits of a Digital Library
    - Creating a Diverse Reading Collection Control Systems Engineering
  10. Overcoming Reading Challenges
    - Dealing with Digital Eye Strain
    - Minimizing Distractions
    - Managing Screen Time
  11. Cultivating a Reading Routine Control Systems Engineering
    - Setting Reading Goals Control Systems Engineering
    - Carving Out Dedicated Reading Time
  12. Sourcing Reliable Information of Control Systems Engineering
    - Fact-Checking eBook Content of Control Systems Engineering
    - Distinguishing Credible Sources
  13. Promoting Lifelong Learning
    - Utilizing eBooks for Skill Development

- 
- Exploring Educational eBooks
14. Embracing eBook Trends
- Integration of Multimedia Elements
  - Interactive and Gamified eBooks

## **Control Systems Engineering Introduction**

In this digital age, the convenience of accessing information at our fingertips has become a necessity. Whether its research papers, eBooks, or user manuals, PDF files have become the preferred format for sharing and reading documents. However, the cost associated with purchasing PDF files can sometimes be a barrier for many individuals and organizations. Thankfully, there are numerous websites and platforms that allow users to download free PDF files legally. In this article, we will explore some of the best platforms to download free PDFs. One of the most popular platforms to download free PDF files is Project Gutenberg. This online library offers over 60,000 free eBooks that are in the public domain. From classic literature to historical documents, Project Gutenberg provides a wide range of PDF files that can be downloaded and enjoyed on various devices. The website is user-friendly and allows users to search for specific titles or browse through different categories. Another reliable platform for downloading Control Systems Engineering free PDF files is Open Library. With its vast collection of over 1 million eBooks, Open Library has something for every reader. The website offers a seamless experience by providing options to borrow or download PDF files. Users simply need to create a free account to access this treasure trove of knowledge. Open Library also allows users to contribute by uploading and sharing their own PDF files, making it a collaborative platform for book enthusiasts. For those interested in academic resources, there are websites dedicated to providing free PDFs of research papers and scientific articles. One such website is Academia.edu, which allows researchers and scholars to share their work with a global audience. Users can download PDF files of research papers, theses, and dissertations covering a wide range of subjects. Academia.edu also provides a platform for discussions and networking within the academic community. When it comes to downloading Control Systems Engineering free PDF files of magazines, brochures, and catalogs, Issuu is a popular choice. This digital publishing platform hosts a vast collection of publications from around the world. Users can search for specific titles or explore various categories and genres. Issuu offers a seamless reading experience with its user-friendly interface and allows users to download PDF files for offline reading. Apart from dedicated platforms, search engines also play a crucial role in finding free PDF files. Google, for instance, has an advanced search feature that allows users to filter results by file type. By specifying the file type as "PDF," users can find websites that offer free PDF downloads on a specific topic. While downloading Control Systems Engineering free PDF files is convenient, its important to note that copyright laws must be respected. Always ensure that the PDF files you download are legally

available for free. Many authors and publishers voluntarily provide free PDF versions of their work, but it's essential to be cautious and verify the authenticity of the source before downloading Control Systems Engineering. In conclusion, the internet offers numerous platforms and websites that allow users to download free PDF files legally. Whether it's classic literature, research papers, or magazines, there is something for everyone. The platforms mentioned in this article, such as Project Gutenberg, Open Library, Academia.edu, and Issuu, provide access to a vast collection of PDF files. However, users should always be cautious and verify the legality of the source before downloading Control Systems Engineering any PDF files. With these platforms, the world of PDF downloads is just a click away.

### **FAQs About Control Systems Engineering Books**

1. Where can I buy Control Systems Engineering books? Bookstores: Physical bookstores like Barnes & Noble, Waterstones, and independent local stores. Online Retailers: Amazon, Book Depository, and various online bookstores offer a wide range of books in physical and digital formats.
2. What are the different book formats available? Hardcover: Sturdy and durable, usually more expensive. Paperback: Cheaper, lighter, and more portable than hardcovers. E-books: Digital books available for e-readers like Kindle or software like Apple Books, Kindle, and Google Play Books.
3. How do I choose a Control Systems Engineering book to read? Genres: Consider the genre you enjoy (fiction, non-fiction, mystery, sci-fi, etc.). Recommendations: Ask friends, join book clubs, or explore online reviews and recommendations. Author: If you like a particular author, you might enjoy more of their work.
4. How do I take care of Control Systems Engineering books? Storage: Keep them away from direct sunlight and in a dry environment. Handling: Avoid folding pages, use bookmarks, and handle them with clean hands. Cleaning: Gently dust the covers and pages occasionally.
5. Can I borrow books without buying them? Public Libraries: Local libraries offer a wide range of books for borrowing. Book Swaps: Community book exchanges or online platforms where people exchange books.
6. How can I track my reading progress or manage my book collection? Book Tracking Apps: Goodreads, LibraryThing, and Book Catalogue are popular apps for tracking your reading progress and managing book collections. Spreadsheets: You can create your own spreadsheet to track books read, ratings, and other details.
7. What are Control Systems Engineering audiobooks, and where can I find them? Audiobooks: Audio recordings of books, perfect for listening while commuting or multitasking. Platforms: Audible, LibriVox, and Google Play Books offer a wide

selection of audiobooks.

8. How do I support authors or the book industry? Buy Books: Purchase books from authors or independent bookstores. Reviews: Leave reviews on platforms like Goodreads or Amazon. Promotion: Share your favorite books on social media or recommend them to friends.
9. Are there book clubs or reading communities I can join? Local Clubs: Check for local book clubs in libraries or community centers. Online Communities: Platforms like Goodreads have virtual book clubs and discussion groups.
10. Can I read Control Systems Engineering books for free? Public Domain Books: Many classic books are available for free as they're in the public domain. Free E-books: Some websites offer free e-books legally, like Project Gutenberg or Open Library.

### Find Control Systems Engineering :

**diophantische approximationen**

**dino-mite dinosaur jokes**

**dinosaurs concise collection**

*dios como objeto simbolos cuerpo materia palabr*

*disability and the life course global perspectives*

**dinosaurs a childs first library of learning**

**dimensions of the word**

**dirty mary no more pb 1999**

dinosaur hunt texas - 115 million years ago

dimensions of japanese society gender margins and mainstream

**disappearing energy; can we end the crisis**

*diplomacia contemporanea teoria y practica para el ejercicio profesional*

diode lasers

**dirty pictures**

**disaster and recovery planning a guide for facility managers paperback by...**

### Control Systems Engineering :

**emotional labor putting the service in public service 1st first - Feb 28 2022**

---

web learn more see this image follow the author mary e guy emotional labor putting the service in public service 1st first edition paperback 9 ratings see all formats and

*emotional labor putting the service in public service* - Apr 01 2022

web jan 1 2008 emotional labor putting the service in public service share this citation twitter email guy mary e newman meredith a mastracci sharon h 2008

**emotional labor putting the service in public service 1st edition** - May 02 2022

web dec 18 2014 emotional labor putting the service in public service kindle edition by guy mary e newman meredith a mastracci sharon h download it once and read it

**emotional labor putting the service in public service** - Oct 07 2022

web emotional labor and public service the disconnect between public administration theory and practice governance demanding publics and citizen satisfaction i ll know

burnout among public service workers the role of emotional - Jan 30 2022

web sep 25 2012 in the sample of 208 public service workers regression results revealed that display rules that require expression of positive emotions did not account for

dirty work and emotional labor in public service why - Jun 03 2022

web feb 20 2021 this article combines theories on emotional labor in public service and dirty work to argue that organizations should adopt an ethic of care to support their

*emotional labor putting the service in public service* - Aug 17 2023

web dec 13 2008 this study provides an example it examines the link between commitment and performance as well as the moderating effect of emotional labor for public service

**dirty work and emotional labor in public service why** - Jan 10 2023

web feb 20 2021 this article combines theories on emotional labor in public service and dirty work to argue that organizations should adopt an ethic of care to support their

**emotional labor putting the service in public service** - Sep 18 2023

web nov 14 2014 emotional labor putting the service in public service by mary e guy author meredith a newman author sharon h mastracci author 4 8 9 ratings see

**emotional labor putting the service in public service mary e** - Jul 16 2023

web dec 22 2014 most public service jobs require interpersonal contact that is either face to face or voice to voice relational work that goes beyond testable job skills but is

**mary e guy meredith a newman and sharon h** - Mar 12 2023

web mar 1 2009 mary e guy meredith a newman and sharon h mastracci emotional labor putting the service in public service based on guy mary e newman

**emotional labour collectivism and strain a comparison of turkish** - Aug 05 2022

web apr 3 2019 cross sectional data was collected from u s n 191 and turkish n 249 customer service employees results indicate that collectivism impacts the process

*emotional labor putting the service in public service google* - May 14 2023

web dec 18 2014 mary e guy meredith a newman sharon h mastracci routledge dec 18 2014 business economics 256 pages most public service jobs require

**labour and state in turkey 1960 80 jstor** - Nov 27 2021

web labour and state in turkey 1960 80 structure of the system of interest representation reveals that the main legal regulatory device was the still operative 1947

**emotional labor putting the service in public service guy** - Nov 08 2022

web emotional labor putting the service in public service guy mary e newman meredith a mastracci sharon h amazon com tr kitap

emotional labor putting the service in public service - Apr 13 2023

web emotional labor and public service 2 the disconnect between public administration theory and practice 3 governance demanding publics and citizen satisfaction 4 i ll

*emotional labor putting the service in public service google* - Feb 11 2023

web emotional labor putting the service in public service mary e guy meredith a newman sharon h mastracci m e sharpe 2008 public service employment 238

**how emotional intelligence mediates emotional labor in public** - Jul 04 2022

web nov 29 2013 her research focuses on emotional intelligence and how it is applied in public service work view full text download pdf most public service jobs involve

*emotional labor in public service work request pdf* - Dec 29 2021

web jan 1 2009 this article conceptualizes the emotional labor construct in terms of four dimensions frequency of appropriate emotional display attentiveness to required

**emotional labor putting the service in public service** - Jun 15 2023

web nov 23 2016 download citation emotional labor putting the service in public service reviewed by victoria gordon find read and cite all the research you need on

*emotional labor putting the service in public service worldcat org* - Sep 06 2022

web emotional labor and public service the disconnect between public administration theory and practice governance demanding publics and citizen satisfaction i ll know

**introduction why emotional labor matters in public** - Dec 09 2022

web sep 4 2019 articulating a public service perspective requires putting words to public service motivation compassion and empathy embracing diversity requires adaptability

*benchmark and unit tests ia rugby com* - Sep 03 2022

web grade 5 unit 5 benchmark test name date reading and analyzing text reading and analyzing text read the passages a new fan and bon appetit before answering

*mid unit 1 assessment reading and summarizing an* - Dec 06 2022

web worksheets are unit test reading and analyzing text short guide to analysing texts noting details work analyzing an argument analyzing visual elements in literary texts

*1 look read and match unt 8 team elt publishing* - Dec 26 2021

web unit test reading and analyzing text unit test reading and analyzing text 2 downloaded from avantevapehouse com on 2022 12 01 by guest are an excellent

*reading and analyzing text reading and analyzing text pdf* - Aug 02 2022

web real english unit 1 revision test free download as word doc doc pdf file pdf text file txt or read online for free scribd is the world s largest social reading and

**analyzing text worksheets k12 workbook** - Nov 05 2022

web unit test in english 7 docx free download as word doc doc docx pdf file pdf text file txt or read online for free

**573 unit test text images stock photos vectors shutterstock** - Jan 27 2022

web 3 read and match 1 bill went to the park 2 sally went to the sports centre 3 mary went to the bookshop 4 lily went to the hospital 5 sue went to the swimming pool 6 jack went

**reading and analyzing text chandler unified school district** - Mar 09 2023

web grade 4 unit 5 benchmark test reading and analyzing text 2 what is the setting at the beginning of the passage lost pet f in jasmine s yard and around her house g on the

*unit test pdf baggage airport scribd* - Mar 29 2022

web please help i need word form answers now for analyzing informational text unit test please i need it to pass ela urgent if you 5 answers asked by

**analyzing literary text unit test answers questions llc** - Feb 25 2022

web find unit test text stock images in hd and millions of other royalty free stock photos illustrations and vectors in the

shutterstock collection thousands of new high quality  
[real english unit 1 revision test pdf scribd](#) - Jul 01 2022

web unit test reading and analyzing text recognizing the exaggeration ways to get this books unit test reading and analyzing text is additionally useful you have remained

[pdf unit test reading and analyzing text](#) - Aug 14 2023

web unit test reading and analyzing text digging into literature oct 06 2020 digging into literature reveals the critical strategies that any college student can use for reading

**mid unit 2 assessment reading and analyzing literary** - Jul 13 2023

web distribute the mid unit 2 assessment reading and analyzing literary texts tell students that this assessment focuses on reading and analyzing the figurative language and

**mid unit 1 assessment reading and analyzing** - Feb 08 2023

web a mid unit 1 assessment reading and analyzing informational texts 30 minutes distribute the mid unit 1 assessment reading and analyzing informational texts tell

[unit test reading and analyzing text](#) - May 31 2022

web reading literary text unit test 1 answer 117 views unit 4 reading literary text test 1 evidence that is directly and clearly stated in a text a implicit b inference c theme 2

[reading and analyzing texts annenberg learner](#) - Jan 07 2023

web ri 5 2 determine two or more main ideas of a text and explain how they are supported by key details summarize the text ri 5 3 explain the relationships or interactions between

[reading and analyzing text cusd80 com](#) - Apr 10 2023

web grade 4 unit 5 benchmark test reading and analyzing text 2 what is the setting at the beginning of the passage lost pet f in jasmine s yard and around her house g on the

[unit test reading and analyzing text avantevapehouse com](#) - Nov 24 2021

[reading informational text unit test 10 of 15 items item 10](#) - Jun 12 2023

web reading informational text unit test 10 of 15 items item 10 use this paragraph to answer the question the crowd gathered around a chain link fence and waited for the show to

**unit test reading and analyzing text img1 wsimg com** - May 11 2023

web 18 grade 1 unit 2 reading and analyzing text grade 1 unit 2 unit test name date unit test reading and analyzing text houghton mifflin harcourt publishing company

*reading literary text unit test questions llc* - Apr 29 2022

web unit test free download as word doc pdf file pdf text file txt or read online for free ingles ingles open navigation menu download as doc pdf txt or

**unit test in english 7 pdf phrase reading process scribd** - Oct 04 2022

web benchmark test reading and analyzing text 1 grade 1 unit 1 reading and analyzing text grade 1 unit 1 benchmark test name date read together to the

quiz worksheet moles in chemical equations study com - Jan 08 2023

web print worksheet 1 what is a mole as used in chemistry an animal that digs around in your yard a method to dig deeper into a chemical equation a set number  $6.023 \times 10^{23}$  the weight of an

mole and quantifying matter reactions answers - Jan 28 2022

web the options and nature of science assessment guidance and answers to questions are included in the additional online material available with the book e3 chemistry guided study book 2018 home edition answer key included effiong eyo 2017 12 08 chemistry students and homeschoolers go beyond just passing enhance your

chemistry mole calculation test questions thoughtco - Feb 09 2023

web jun 26 2019 answers 1  $9.96 \times 10^{19}$  moles of copper 2  $3.01 \times 10^{24}$  atoms of silver 3  $3.06 \times 10^{21}$  atoms of gold 4 1.67 moles of sulfur 5 251.33 grams of iron 6 1 mole of lithium 7 3 moles of oxygen 8  $1.20 \times 10^{24}$  atoms of hydrogen 9 2.41  $\times 10^{24}$  atoms of oxygen 10 90 moles

mole and quantifying matter reactions answers zuzutop com - Apr 30 2022

web mole and quantifying matter reactions answers recognizing the pretension ways to get this book mole and quantifying matter reactions answers is additionally useful you have remained in right site to start getting this info acquire the mole and quantifying matter reactions answers link that we present here and check out the link

*chem12 c1000 swbt yumpu* - Apr 11 2023

web may 3 2013 name class date chemical quantities the mole and quantifying matter 10 1 the mole a measurement of matter essential understanding the mole represents a large number of very small particles reading strategy for students using the foundation edition assign problems 1 15 frayer model the frayer model is a

**the mole and quantifying matter answers pdf forms imcost edu** - Aug 03 2022

web matter and mole calculations to the kinetics of reactions and enthalpy change this guide demystifies the complexities of chemistry through easy to follow charts graphs and sample problems the success manual for general chemistry elizabeth kean 1986 quantifying matter revised edition joseph angelo 2020 04 01 quantifying matter revised edition

**mole and quantifying matter reactions answers uniport edu** - Mar 30 2022

web jun 30 2023 you could purchase lead mole and quantifying matter reactions answers or get it as soon as feasible you could quickly download this mole and quantifying matter reactions answers after getting deal so bearing in mind you require the books swiftly you can straight get it its appropriately unconditionally easy and thus fats isnt it

**4 e the mole concept exercises chemistry libretxts** - Jul 14 2023

web for example 2 moles of na  $2 \times 22.989 \text{ g} = 45.978 \text{ g}$  while 1 mole of cl  $1 \times 35.453 \text{ g} = 35.453 \text{ g}$  cl this makes the sodium react completely with chlorine 2g of sodium would react with 35.453 / 2 = 17.7265 g cl

*mole and quantifying matter reactions answers copy uniport edu* - Feb 26 2022

web jul 19 2023 mole and quantifying matter reactions answers 1 14 downloaded from uniport edu ng on july 19 2023 by guest mole and quantifying matter reactions answers thank you entirely much for downloading mole and quantifying matter reactions answers most likely you have knowledge that people have look numerous

*mole and quantifying matter chemical education xchange* - May 12 2023

web aug 16 2021 how make simple mole calculations more relatable png explore a chemistry activity designed to have students measure quantities and calculate the moles and number of particles contained in the sample

**6 3 mole relationships and chemical equations** - Jun 13 2023

web  $\frac{2 \text{ mol h}_2}{2 \text{ mol h}_2\text{O}}$  or  $\frac{2 \text{ mol h}_2}{2 \text{ mol h}_2\text{O}}$  nonnumber we can use these ratios to determine what amount of a substance in moles will react with or produce a given number of moles of a different substance

*mole and quantifying matter reactions answers book* - Oct 05 2022

web and answers cover all test topics structure of matter states of matter solutions reaction types stoichiometry equilibrium and reaction rates thermodynamics descriptive chemistry and much more new in this edition are explained answers for all end of chapter practice

[chem4kids com matter quiz](#) - Nov 06 2022

web chem4kids com a chemistry quiz on general facts of matter other quizzes cover topics on matter atoms elements the periodic table reactions and biochemistry

[mole and quantifying matter reactions answers pdf pdf](#) - Sep 04 2022

web introduction mole and quantifying matter reactions answers pdf pdf the mathematics of diffusion john crank 1979 though it incorporates much new material this new edition preserves the general character of the book in providing a collection of solutions of the equations of diffusion and describing how these solutions may be obtained

[quantifying chemical reactions stoichiometry and moles](#) - Aug 15 2023

web quantifying chemical reactions stoichiometry and moles to manipulate chemical reactions on a large scale scientists use stoichiometry to quantify those reactions and make sure that there are just the right amount of reactants and products

---

*moles and molar mass test questions and answers proprofs* - Dec 07 2022

web jun 26 2023 the mass of 0.01 mol of hydrogen gas  $H_2$  is 0.02g this is because the molar mass of  $H_2$  is 2 g/mol 1 g/mol for each hydrogen atom so multiplying the molar mass by the number of moles gives the mass in this case 0.01 mol multiplied by 2 g/mol equals 0.02g therefore the correct answer is 0.02g

**7 mole ratios and reaction stoichiometry experiment** - Mar 10 2023

web sep 22 2021 your goal in this lab is to experimentally verify the mole to mole ratios between a certain reactant and a certain product in both reactions identify the two substances in reaction ref 4 what is this theoretical mole to mole ratio in reaction ref 4 in reaction ref 3 you will react a pre weighed sample of sodium bicarbonate

*mole and quantifying matter reactions answers pdf uniport edu* - Jul 02 2022

web mole and quantifying matter reactions answers 1 14 downloaded from uniport.edu.ng on september 1 2023 by guest mole and quantifying matter reactions answers as recognized adventure as competently as experience roughly lesson amusement as well as concurrence can be gotten by just checking out a books mole and quantifying matter

**mole and quantifying matter reactions answers help discoveram** - Dec 27 2021

web jun 4 2023 the mole and quantifying matter answers the mole and quantifying matter answers the scarlet ibis settings answers test review chemical reactions answer key reaction to quantities of the products so the answer has the unit kg what is a mole recall that

**mole and quantifying matter reactions answers** - Jun 01 2022

web mole and quantifying matter reactions answers 6 5 mole mass and mass mass problems chemistry libretexts the mole and quantifying matter answers 16 1 buysms.de name ebook plesetsk pdf ebook plesetsk.org 12 stoichiometry pearson the mole and quantifying matter chemical quantities weebly chapter 16